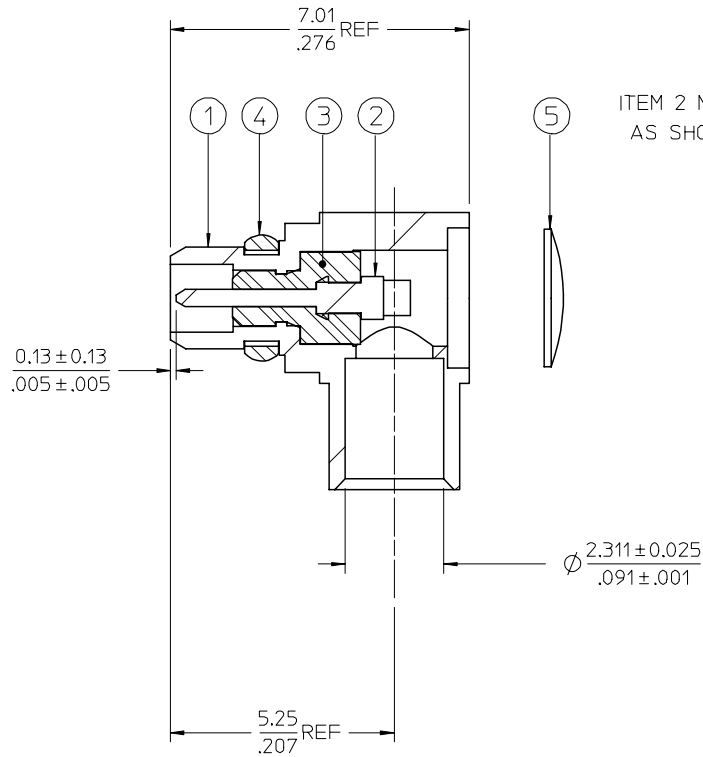


ASSEMBLY PROCEDURE:

1. PRESS ITEM 3 INTO ITEM 1 UNTIL ITEM 3 BOTTOMS
3. PRESS ITEM 2 INTO ITEM ITEM 3 PER DIMENSION SHOWN.
4. PACKAGE CONNECTOR WITH ITEMS 5.
5. SLIDE ITEM 4 OVER ITEM 1 UNTIL ITEM 4 SLIPS INTO GROOVE IN ITEM 1.
6. CENTER CONTACT MUST WITHSTAND 13.35 N(3.0 LBS) OF AXIAL FORCE.



LABEL WITH EACH BAG FOR 73415-2162:

P/N 73415-2162
MOLEX
DATE: YY/WW

73415-2162	73415-2161, ONE PER BAG
73415-2161	BULK
73415-2160	BULK
PART NO.	PACKAGING

5	89674-0711	CAP	1	5	89674-0712	CAP	1
4	89674-5202	SNAP RING	1	4	89674-5203	SNAP RING	1
3	89672-5000	INSULATOR	1	3	89672-5000	INSULATOR	1
2	89665-2504	CONTACT	1	2	89665-2505	CONTACT	1
1	89696-3921	BODY	1	1	89696-3922	BODY	1
	PART NO.	DESCRIPTION	QTY		PART NO.	DESCRIPTION	QTY

PART # 73415-2160

PART # 73415-2161

CHG: REDREW IN SD CHANGED ALL DIMS FROM IN/MM TO MM/IN EC NO: URF2007-0264 DRWN: FLAHERTY 2007/01/09 CHKD: SHAH 2007/01/09 APPR: JIMENER 2007/01/09 A2	QUALITY SYMBOLS ◻=0 ◻=0	GENERAL TOLERANCES (UNLESS SPECIFIED)		DIMENSION STYLE MM/IN		SCALE	DESIGN UNITS	THIRD ANGLE PROJECTION			
		4 PLACES ± --- ± --- 3 PLACES ± --- ± --- 2 PLACES ± --- ± --- 1 PLACE ± --- ± --- ANGULAR ± 2 °	mm INCH ± --- ± --- ± --- ± --- ± --- ± --- ± --- ± ---	DRAWN BY TEF	DATE 2002/01/24	CHECKED BY SSS	DATE 2002/01/24	APPROVED BY GMH	DATE 2002/01/24	TITLE MMCX PLUG, R/A FOR SR086 CABLE, 50 OHMS MMCX-PC/RA	MATERIAL NO. SEE TABLE
DRAFT WHERE APPLICABLE MUST REMAIN WITHIN DIMENSIONS		THIS DRAWING CONTAINS INFORMATION THAT IS PROPRIETARY TO MOLEX INCORPORATED AND SHOULD NOT BE USED WITHOUT WRITTEN PERMISSION									

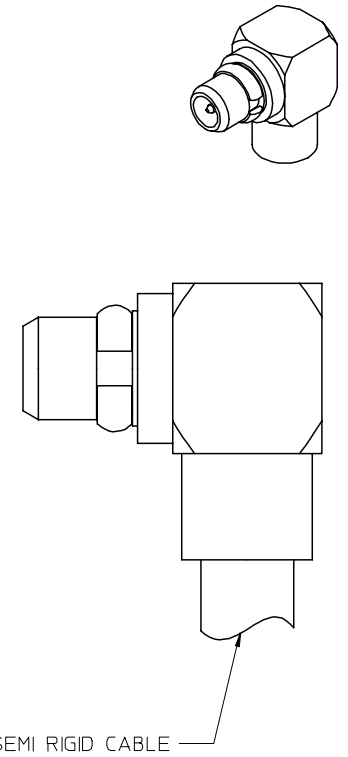
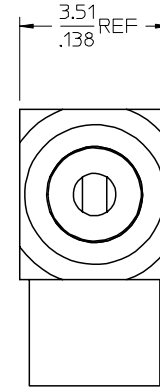
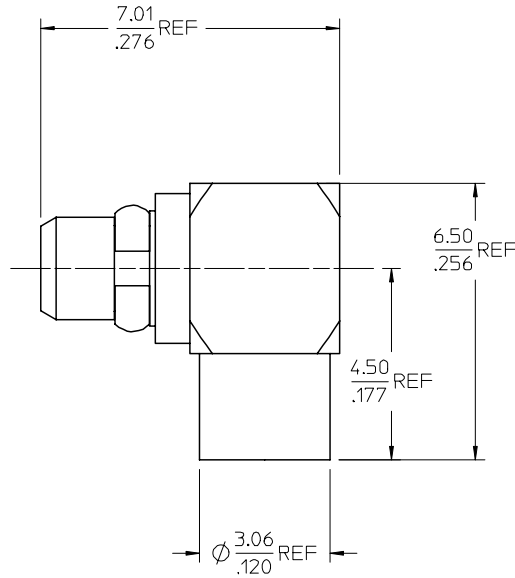
13 12 11 10 9 8 7 6 5 4 3 2 1

MATERIALS AND FINISHES

BODY, CAP BRASS
PLATED GOLD

CENTER CONTACT BRASS
PLATED GOLD

INSULATOR TEFLON



AS-89678-3200	CABLE ASSY INSTRUT.
ES-73599-0000-015	INTERFACE
PS-89675-1930	ELECTRO/MECH PERFORM.
SPECIFICATION	DESCRIPTION

73415-2162	73415-2161, ONE PER BAG
73415-2161	PER COMMERIAL REQUIREMENTS, BULK
73415-2160	PER MILITARY REQUIREMENTS, BULK
PART NO.	PLATING AND PACKAGING

CHG: REDREW IN SD
CHANGED ALL DIMS
FROM IN/MM TO MM/IN
LOADED INTO WM
ADDED P/N
73415-2162
EC NO: URF2007-0264
DRWN: F. LAHERY 2007/01/09
CHKD: S. SHAH 2007/01/09
APPR: J. E. NER 2007/01/09
A1

QUALITY SYMBOLS
=0
=0
DESCRIPTION

GENERAL TOLERANCES (UNLESS SPECIFIED)	
mm	INCH
4 PLACES ± .005	± .0004
3 PLACES ± .004	± .0003
2 PLACES ± .003	± .0002
1 PLACE ± .002	± .0001
ANGULAR ± 2 °	
DRAFT WHERE APPLICABLE MUST REMAIN WITHIN DIMENSIONS	

DIMENSION STYLE	
MM/IN	
DRAWN BY	DATE
TEF	2000/06/15
CHECKED BY	DATE
SSS	2000/06/15
APPROVED BY	DATE
GMH	2000/06/15
MATERIAL NO.	
SEE TABLE	

SCALE	DESIGN UNITS	THIRD ANGLE PROJECTION
	METRIC	
TITLE		
MMCX PLUG, R/A FOR SR086 CABLE, 50 OHMS MMCX-PC/RA		
MOLEX INCORPORATED		
MATERIAL NO.	DOCUMENT NO.	SHEET NO.
	SD-73415-216	1 OF 1
THIS DRAWING CONTAINS INFORMATION THAT IS PROPRIETARY TO MOLEX INCORPORATED AND SHOULD NOT BE USED WITHOUT WRITTEN PERMISSION		

12 11 10 9 8 7 6 5 4 3 2 1