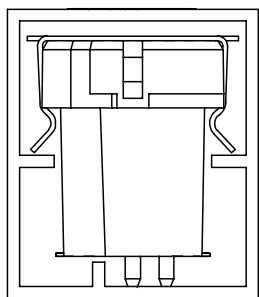
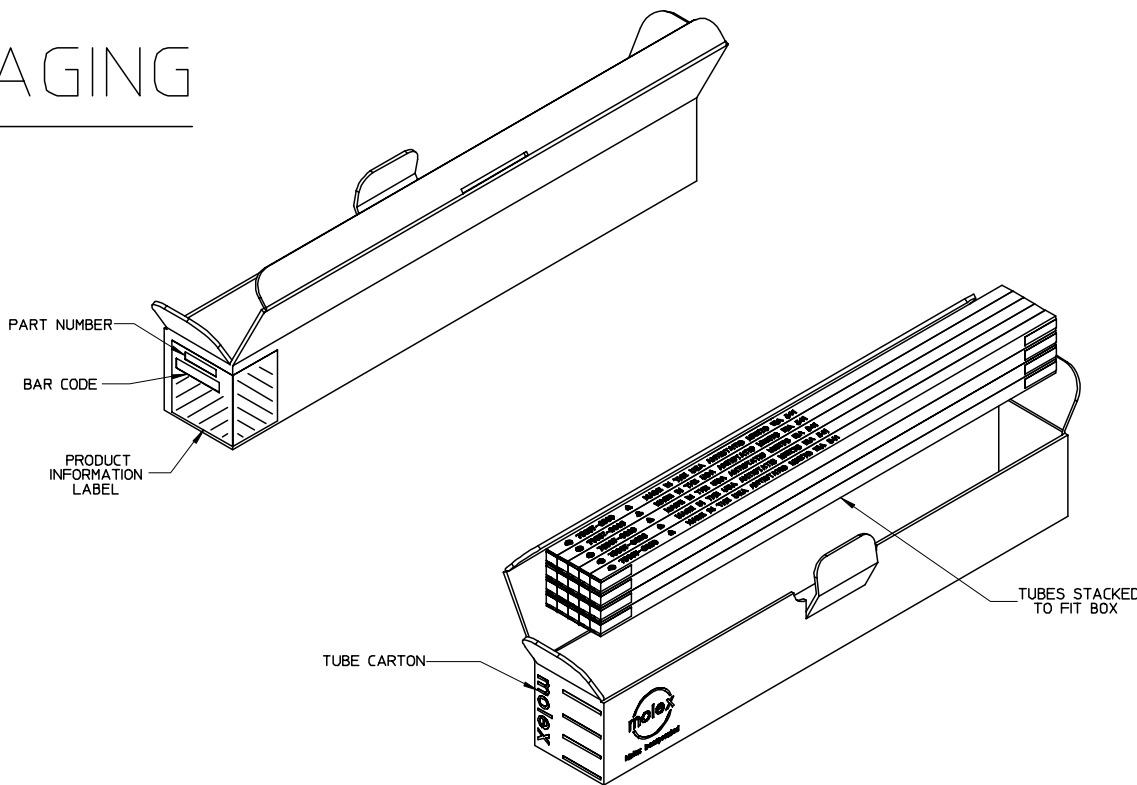


TUBE PACKAGING

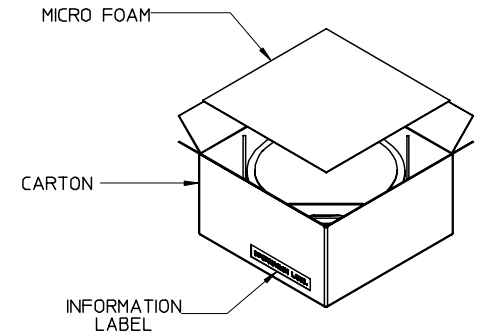
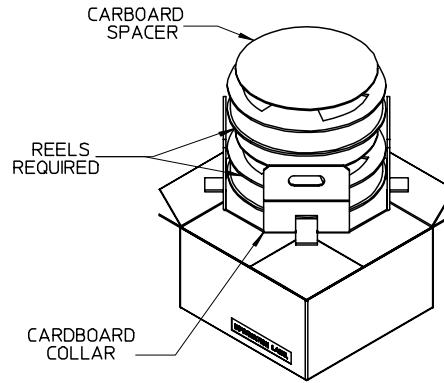
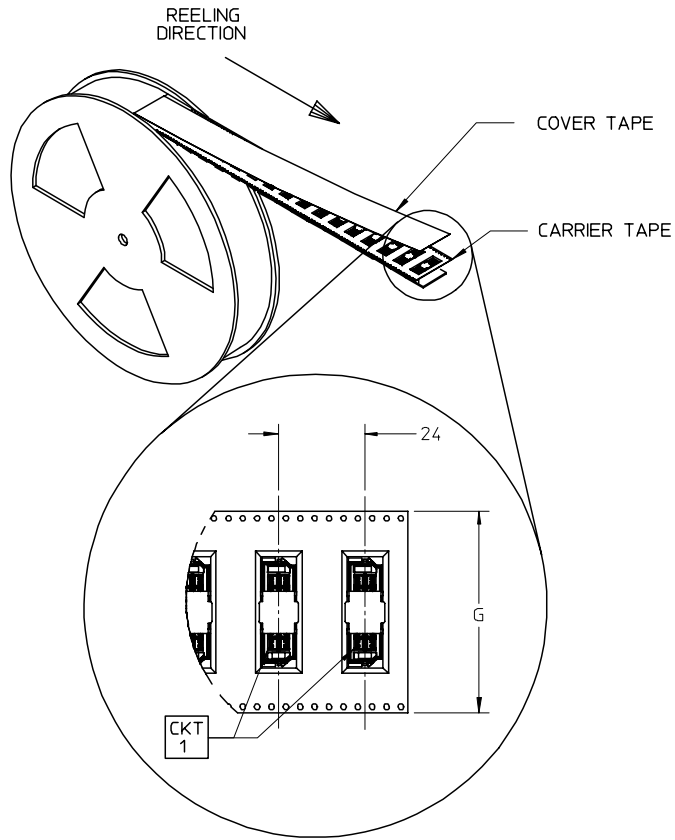


ORIENTATION OF PART IN TUBE



EC NO: UCP2004-2294 DRWN: TMCLELL 2004/05/24 CHKD: 2004/05/24 APPR: MBANAKIS 2004/05/24	QUALITY SYMBOLS ▽ = 0 ◻ = 0	GENERAL TOLERANCES (UNLESS SPECIFIED)		SCALE 3:1	DESIGN UNITS METRIC	THIRD ANGLE PROJECTION	REVISE ON CAD ONLY			
		4 PLACES ± --- ± --- 3 PLACES ± --- ± --- 2 PLACES ± 0.13 ± --- 1 PLACE ± 0.25 ± ---	DIMENSION STYLE MM ONLY	TITLE SALES DRAWING FOR HIGH SPEED MEZZANINE PLUG						
		ANGULAR ± 1/2°	DRAFT WHERE APPLICABLE MUST REMAIN WITHIN DIMENSIONS	DRAWN BY KSTILES	DATE 2001/10/24	CHECKED BY KREGNIER	DATE 2001/10/25	MATERIAL NO. SEE CHART	DOCUMENT NO. SD-75003-001	SHEET NO. 3 OF 8
		THIS DRAWING CONTAINS INFORMATION THAT IS PROPRIETARY TO MOLEX INCORPORATED AND SHOULD NOT BE USED WITHOUT WRITTEN PERMISSION							B	

TAPE AND REEL PACKAGING



EC NO: UCP2004-2294 DRWN: TMCLELL 2004/05/24 CHKD: 2004/05/24 APPR: MBANAKIS 2004/05/24	QUALITY SYMBOLS ▼ = 0 ▽ = 0	GENERAL TOLERANCES (UNLESS SPECIFIED)		SCALE 2:1	DESIGN UNITS METRIC	THIRD ANGLE PROJECTION	REVISE ON CAD ONLY
		4 PLACES ± --- ± --- 3 PLACES ± --- ± --- 2 PLACES ± 0.13 ± --- 1 PLACE ± 0.25 ± ---	DIMENSION STYLE MM ONLY	TITLE SALES DRAWING FOR HIGH SPEED MEZZANINE PLUG			
		ANGULAR ± 1/2°	DRAFT WHERE APPLICABLE	DRAWN BY DATE KSTILES 2001/10/24	MOLEX INCORPORATED		
		MUST REMAIN WITHIN DIMENSIONS	APPROVED BY DATE MBANAKIS 2001/12/13	MATERIAL NO. SEE CHART	DOCUMENT NO. SD-75003-001	SHEET NO. 4 OF 8	
E2	DESCRIPTION	THIS DRAWING CONTAINS INFORMATION THAT IS PROPRIETARY TO MOLEX INCORPORATED AND SHOULD NOT BE USED WITHOUT WRITTEN PERMISSION					

PACKAGED IN TUBES

NUMBER OF CIRCUITS	NUMBER OF DIFFERENTIAL PAIRS	MATERIAL NUMBER	A	B	C	D	E	F	PARTS PER TUBE
12	6	NOT TOOLED	19.93	7.02	4.50	3.52	13.27	7.25	NOT TOOLED
12	6	750030305	19.93	7.02	5.50	3.52	13.27	8.25	28
12	6	NOT TOOLED	19.93	7.02	6.50	3.52	13.27	9.25	NOT TOOLED
12	6	750030308	19.93	7.02	8.50	3.52	13.27	11.25	28
12	6	750030310	19.93	7.02	10.50	3.52	13.27	13.25	28
12	6	NOT TOOLED	19.93	7.02	12.50	3.52	13.27	15.25	NOT TOOLED
24	12	NOT TOOLED	30.46	17.55	4.50	14.05	23.80	7.25	NOT TOOLED
24	12	750030005	30.46	17.55	5.50	14.05	23.80	8.25	18
24	12	NOT TOOLED	30.46	17.55	6.50	14.05	23.80	9.25	NOT TOOLED
24	12	750030008	30.46	17.55	8.50	14.05	23.80	11.25	18
24	12	750030010	30.46	17.55	10.50	14.05	23.80	13.25	18
24	12	NOT TOOLED	30.46	17.55	12.50	14.05	23.80	15.25	NOT TOOLED

EC NO: UCP2004-2294 DRWN: TMCLELL 2004/05/24 CHKD: 2004/05/24 APPR: MBANAKIS 2004/05/24	DESCRIPTION REV E2	QUALITY SYMBOLS	GENERAL TOLERANCES (UNLESS SPECIFIED)	SCALE 2:1	DESIGN UNITS METRIC	THIRD ANGLE PROJECTION	REVISE ON CAD ONLY	
		▽ = 0 ◻ = 0	mm INCH 4 PLACES ± --- ± --- 3 PLACES ± --- ± --- 2 PLACES ± 0.13 ± --- 1 PLACE ± 0.25 ± --- ANGULAR ± 1/2°	DIMENSION STYLE MM ONLY		TITLE SALES DRAWING FOR HIGH SPEED MEZZANINE PLUG		
				DRAWN BY DATE KSTILES 2001/10/24		CHECKED BY DATE KREGNIER 2001/10/25		
				APPROVED BY DATE MBANAKIS 2001/12/13		MATERIAL NO. SEE CHART	DOCUMENT NO. SD-75003-001	SHEET NO. 5 OF 8
DRAFT WHERE APPLICABLE MUST REMAIN WITHIN DIMENSIONS				THIS DRAWING CONTAINS INFORMATION THAT IS PROPRIETARY TO MOLEX INCORPORATED AND SHOULD NOT BE USED WITHOUT WRITTEN PERMISSION				

PACKAGED IN TUBES

NUMBER OF CIRCUITS	NUMBER OF DIFFERENTIAL PAIRS	MATERIAL NUMBER	A	B	C	D	E	F	PARTS PER TUBE
48	24	NOT TOOLED	51.52	38.61	4.50	35.11	44.86	7.25	NOT TOOLED
48	24	750030105	51.52	38.61	5.50	35.11	44.86	8.25	10
48	24	NOT TOOLED	51.52	38.61	6.50	35.11	44.86	9.25	NOT TOOLED
48	24	NOT TOOLED	51.52	38.61	8.50	35.11	44.86	11.25	NOT TOOLED
48	24	750030110	51.52	38.61	10.50	35.11	44.86	13.25	10
48	24	NOT TOOLED	51.52	38.61	12.50	35.11	44.86	15.25	NOT TOOLED
72	36	NOT TOOLED	72.58	59.67	4.50	56.17	65.92	7.25	NOT TOOLED
72	36	750030205	72.58	59.67	5.50	56.17	65.92	8.25	7
72	36	NOT TOOLED	72.58	59.67	6.50	56.17	65.92	9.25	NOT TOOLED
72	36	NOT TOOLED	72.58	59.67	8.50	56.17	65.92	11.25	NOT TOOLED
72	36	750030210	72.58	59.67	10.50	56.17	65.92	13.25	7
72	36	NOT TOOLED	72.58	59.67	12.50	56.17	65.92	15.25	NOT TOOLED

EC NO: UCP2004-2294 DRWN: TMCLELL 2004/05/24 CHKD: 2004/05/24 APPR: MBANAKIS 2004/05/24	DESCRIPTION REV E2	QUALITY SYMBOLS	GENERAL TOLERANCES (UNLESS SPECIFIED)	SCALE 3:1	DESIGN UNITS METRIC	THIRD ANGLE PROJECTION	REVISE ON CAD ONLY	
		▽ = 0 ∇ = 0	4 PLACES ± --- ± --- 3 PLACES ± --- ± --- 2 PLACES ± 0.13 ± --- 1 PLACE ± 0.25 ± ---	mm INCH DIMENSION STYLE MM ONLY	TITLE			
			ANGULAR ±1/2°	DRAWN BY DATE KSTILES 2001/10/24 CHECKED BY DATE KREGNIER 2001/10/25	SALES DRAWING FOR HIGH SPEED MEZZANINE PLUG			
			DRAFT WHERE APPLICABLE MUST REMAIN WITHIN DIMENSIONS	APPROVED BY DATE MBANAKIS 2001/12/13	MATERIAL NO. SEE CHART DOCUMENT NO. SD-75003-001 SHEET NO. 6 OF 8	MOLEX INCORPORATED		

PACKAGED IN TAPE AND REEL

NUMBER OF CIRCUITS	NUMBER OF DIFFERENTIAL PAIRS	MATERIAL NUMBER	A	B	C	D	E	F	CARRIER TAPE WIDTH G	PARTS PER REEL
12	6	NOT TOOLED	19,93	7.02	4.50	3.52	13,27	7.25	NOT TOOLED	
12	6	750032305	19,93	7.02	5.50	3.52	13,27	8.25	NOT TOOLED	
12	6	NOT TOOLED	19,93	7.02	6.50	3.52	13,27	9.25	NOT TOOLED	
12	6	750032308	19,93	7.02	8.50	3.52	13,27	11.25	NOT TOOLED	
12	6	750032310	19,93	7.02	10,50	3.52	13,27	13.25	NOT TOOLED	
12	6	NOT TOOLED	19,93	7.02	12,50	3.52	13,27	15.25	NOT TOOLED	
24	12	NOT TOOLED	30,46	17.55	4.50	14.05	23,80	7.25	NOT TOOLED	
24	12	750032005	30,46	17.55	5.50	14.05	23,80	8.25	NOT TOOLED	
24	12	NOT TOOLED	30,46	17.55	6.50	14.05	23,80	9.25	NOT TOOLED	
24	12	750032008	30,46	17.55	8.50	14.05	23,80	11.25	56	186
24	12	750032010	30,46	17.55	10,50	14.05	23,80	13.25	NOT TOOLED	
24	12	NOT TOOLED	30,46	17.55	12,50	14.05	23,80	15.25	NOT TOOLED	

EC NO: UCP2004-2294 DRWN: TMCLELL 2004/05/24 CHKD: 2004/05/24 APPR: MBANAKIS 2004/05/24	DESCRIPTION REV	QUALITY SYMBOLS	GENERAL TOLERANCES (UNLESS SPECIFIED)		SCALE 3:1	DESIGN UNITS METRIC	THIRD ANGLE PROJECTION	REVISE ON CAD ONLY		
		▽ = 0 ∇ = 0	mm	INCH	DIMENSION STYLE MM ONLY		TITLE SALES DRAWING FOR HIGH SPEED MEZZANINE PLUG			
			4 PLACES	± ---	± ---	DRAWN BY KSTILES	DATE 2001/10/24	MATERIAL NO. DOCUMENT NO. SHEET NO. SEE CHART SD-75003-001 7 OF 8		
			3 PLACES	± ---	± ---	CHECKED BY KREGNIER	DATE 2001/10/25	THIS DRAWING CONTAINS INFORMATION THAT IS PROPRIETARY TO MOLEX INCORPORATED AND SHOULD NOT BE USED WITHOUT WRITTEN PERMISSION		
		2 PLACES	± 0.13	± ---						
		1 PLACE	± 0.25	± ---						
		ANGULAR ±1/2°								
		DRAFT WHERE APPLICABLE								
		MUST REMAIN WITHIN DIMENSIONS								

PACKAGED IN TAPE AND REEL

NUMBER OF CIRCUITS	NUMBER OF DIFFERENTIAL PAIRS	MATERIAL NUMBER	A	B	C	D	E	F	CARRIER TAPE WIDTH G	PARTS PER REEL
48	24	NOT TOOLED	51.52	38.61	4.50	35.11	44.86	7.25	NOT TOOLED	
48	24	750032105	51.52	38.61	5.50	35.11	44.86	8.25	NOT TOOLED	
48	24	NOT TOOLED	51.52	38.61	6.50	35.11	44.86	9.25	NOT TOOLED	
48	24	NOT TOOLED	51.52	38.61	8.50	35.11	44.86	11.25	NOT TOOLED	
48	24	750032110	51.52	38.61	10.50	35.11	44.86	13.25	72	160
48	24	NOT TOOLED	51.52	38.61	12.50	35.11	44.86	15.25	NOT TOOLED	
72	36	NOT TOOLED	72.58	59.67	4.50	56.17	65.92	7.25	NOT TOOLED	
72	36	750032205	72.58	59.67	5.50	56.17	65.92	8.25	NOT TOOLED	
72	36	NOT TOOLED	72.58	59.67	6.50	56.17	65.92	9.25	NOT TOOLED	
72	36	NOT TOOLED	72.58	59.67	8.50	56.17	65.92	11.25	NOT TOOLED	
72	36	750032210	72.58	59.67	10.50	56.17	65.92	13.25	NOT TOOLED	
72	36	NOT TOOLED	72.58	59.67	12.50	56.17	65.92	15.25	NOT TOOLED	

EC NO: UCP2004-2294 DRWN: TMCLELL 2004/05/24 CHKD: 2004/05/24 APPR: MBANAKIS 2004/05/24	DESCRIPTION REV	QUALITY SYMBOLS	GENERAL TOLERANCES (UNLESS SPECIFIED) 4 PLACES ± --- ± --- 3 PLACES ± --- ± --- 2 PLACES ± 0.13 ± --- 1 PLACE ± 0.25 ± --- ANGULAR ± 1/2° DRAFT WHERE APPLICABLE MUST REMAIN WITHIN DIMENSIONS	SCALE 3:1	DESIGN UNITS METRIC	THIRD ANGLE PROJECTION	REVISE ON CAD ONLY		
		▽ = 0		mm	INCH	DIMENSION STYLE MM ONLY		TITLE SALES DRAWING FOR HIGH SPEED MEZZANINE PLUG	
		∇ = 0		DRAWN BY DATE KSTILES 2001/10/24		CHECKED BY DATE KREGNIER 2001/10/25		MATERIAL NO. DOCUMENT NO. SHEET NO. SEE CHART SD-75003-001 8 OF 8	
				APPROVED BY DATE MBANAKIS 2001/12/13		THIS DRAWING CONTAINS INFORMATION THAT IS PROPRIETARY TO MOLEX INCORPORATED AND SHOULD NOT BE USED WITHOUT WRITTEN PERMISSION			