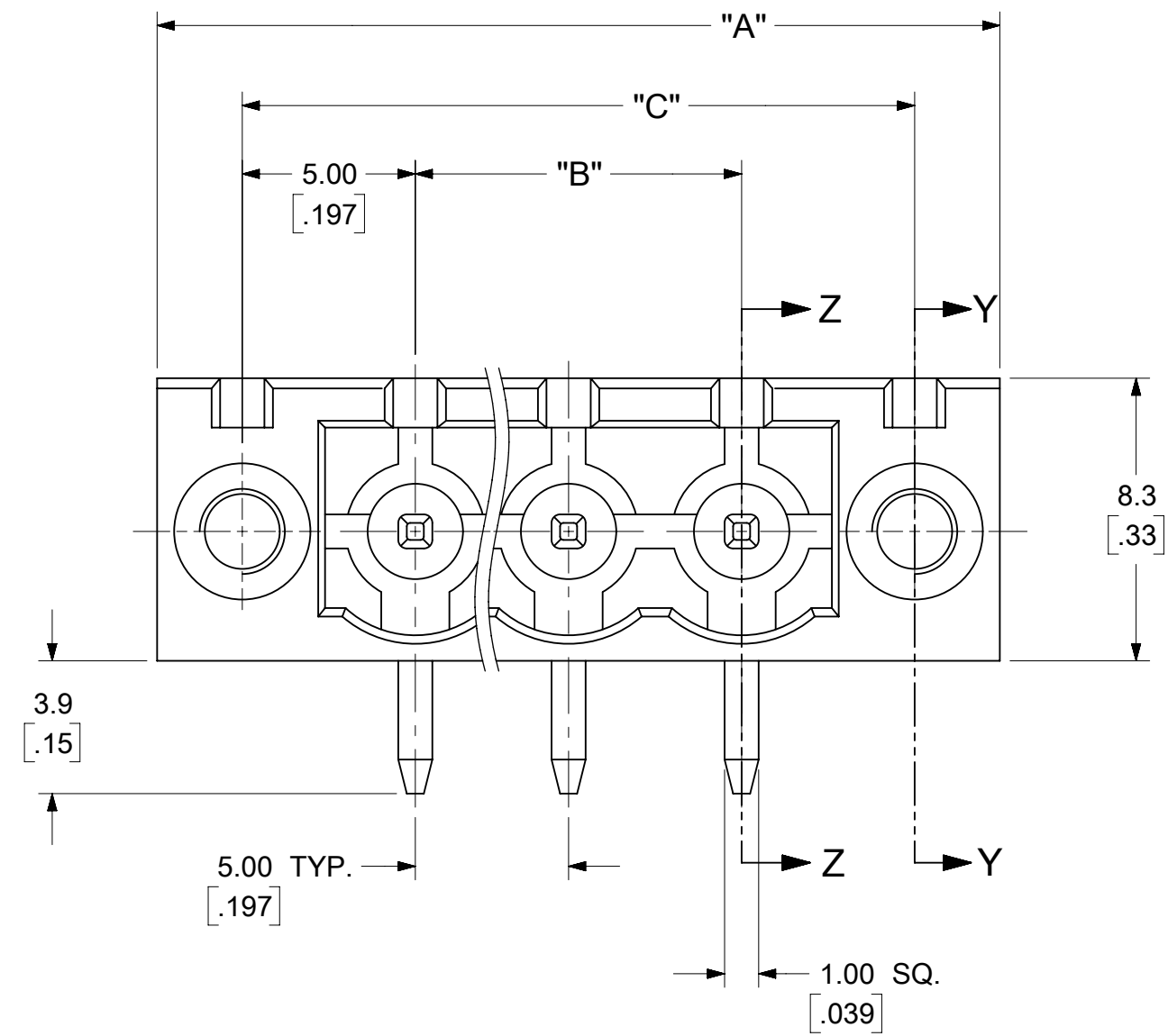
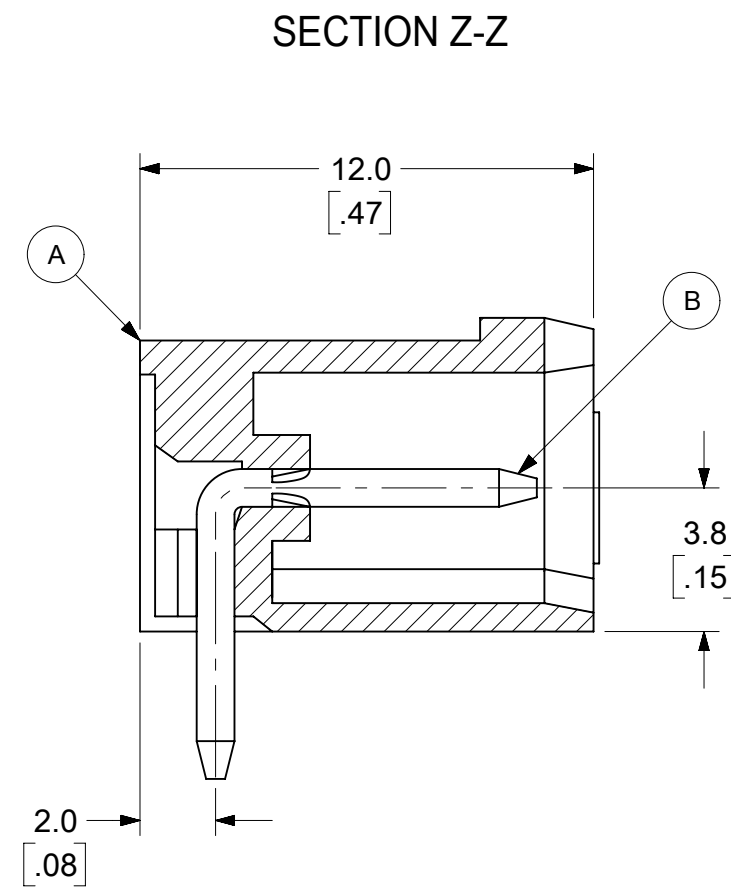
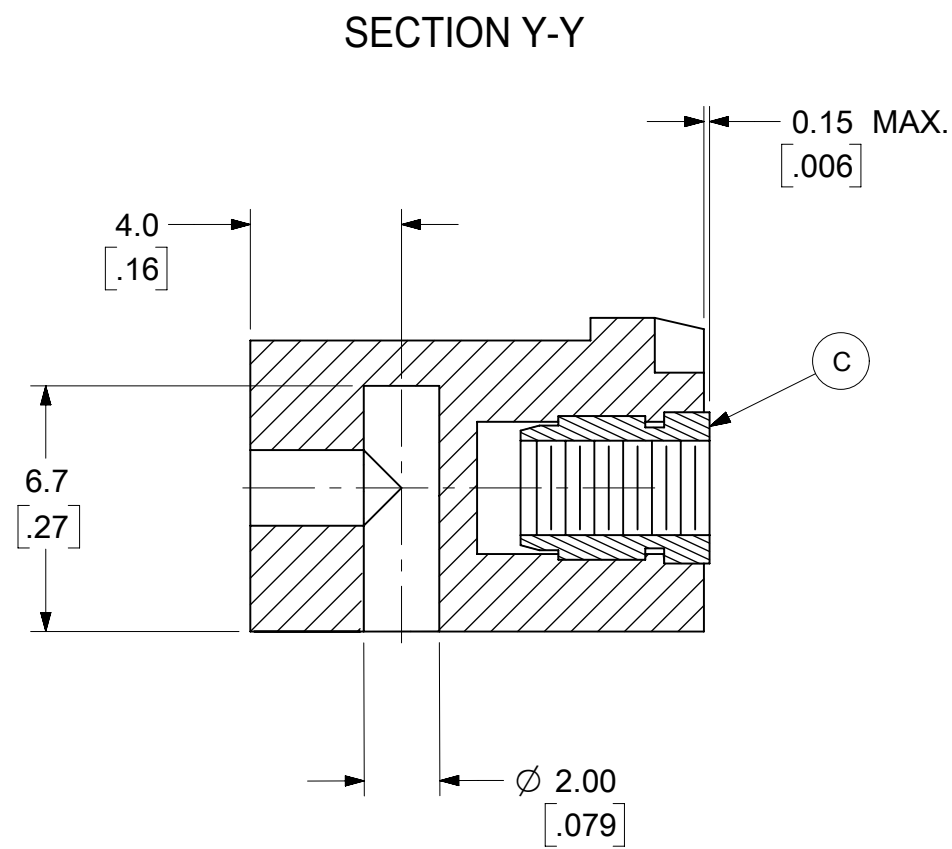
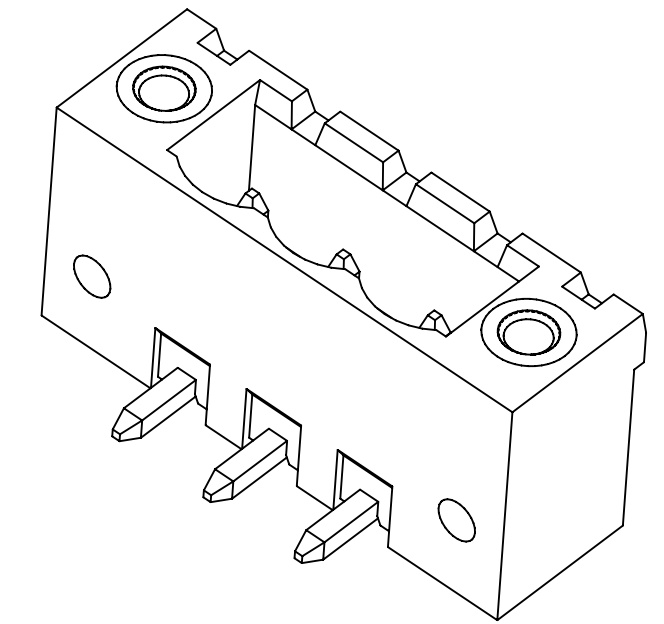
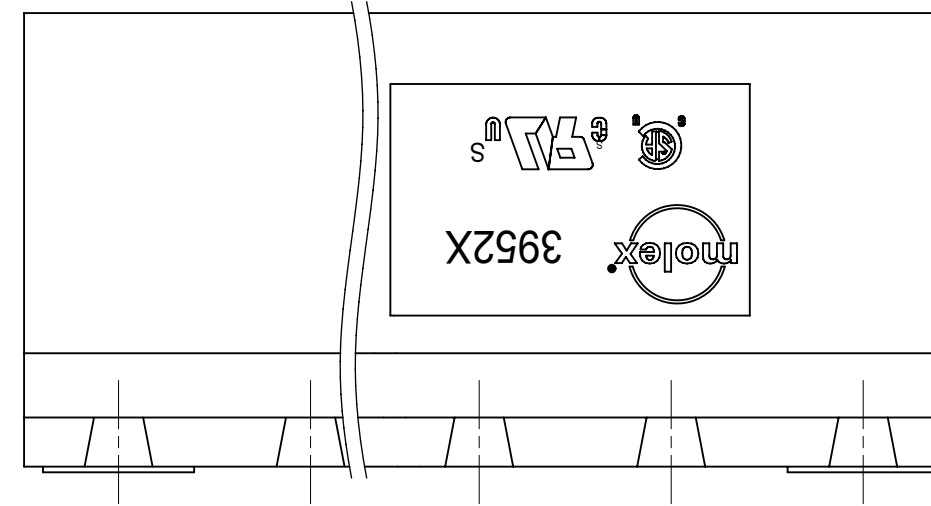


PCB LAYOUT



SPECIFICATIONS:

1. MATERIAL:

- (A). BODY: PA66 (UL94-V0)
- (B). PIN MATERIAL: BRASS

PIN FINISH:

- TIN - 3 μm (118 μin) MIN MATTE TIN
- OVER 2 μm (79 μin) MIN NICKEL
- GOLD - 0.76 μm (30 μin) MIN GOLD IN CONTACT AREA, 3 μm (118 μin) MIN MATTE TIN IN SOLDER AREA.
- 2 μm (79 μin) MIN NICKEL UNDERPLATE

(C). THREADED INSERT: BRASS

- 2. ELECTRICAL RATING: 300V, 18A (PER UL)
- 3. OPERATING TEMPERATURE: -40°C to +115°C.
- 4. INSULATION RESISTANCE: DC 500V, 500MΩ.
- 5. DIELECTRIC WITHSTAND: AC 2500V FOR 1 MINUTE.
- 6. BREAKDOWN VOLTAGE : 4000V.

TOLERANCES

| MM | TOL | INCH | TOL |
|---------|-------|-----------|-------|
| 0-6 | ±0.25 | 0-.24 | ±.010 |
| >6-30 | ±0.40 | .24-1.18 | ±.016 |
| >30-120 | ±0.50 | 1.18-4.76 | ±.020 |
| >120 | ±0.80 | >4.76 | ±.031 |

| | | | | | | | | | |
|--|---|------------------------|---|---------------|--------------|--|--|------------------------|-----------------------|
| FUNCTIONAL SYMBOLS | THIS DRAWING CONTAINS INFORMATION THAT IS PROPRIETARY TO MOLEX ELECTRONIC TECHNOLOGIES, LLC AND SHOULD NOT BE USED WITHOUT WRITTEN PERMISSION | | | | | | | | |
| | DIMENSION UNITS | SCALE | CURRENT REV DESC: MODIFIED SPECIFICATIONS | | | | | | |
| $F_A = 0$ | MM/INCH | 5:1 | | | | | | | |
| $F_C = 0$ | GENERAL TOLERANCES (UNLESS SPECIFIED) | | | | | | | | |
| DIVISIONAL SYMBOLS | 4 PLACES | ± | --- | ± | --- | EC NO: 735568 DRWN: ABENJAMINLW 2023/01/06 CHK'D: DACHAMMER 2023/01/17 APPR: JFMURPHY 2023/01/27 INITIAL REVISION: DRWN: LROTHAUS 2006/01/09 APPR: JPAWLICK 2006/01/10 | <div style="text-align: center;">molex</div> 5.0MM, EURO HEADER, RIGHT ANGLE, MOUNTING PRODUCT CUSTOMER DRAWING | | |
| | 3 PLACES | ± | --- | ± | SEE CHART | | | | |
| | 2 PLACES | ± | SEE CHART | ± | SEE CHART | | | | |
| | 1 PLACE | ± | SEE CHART | ± | --- | | | | |
| | 0 PLACES | ± | --- | ± | --- | | | | |
| ANGULAR TOL | | ± | --- | --- | | DOCUMENT NUMBER SD-39526-002 | DOC TYPE PSD | DOC PART 001 | REVISION B3 |
| DRAFT WHERE APPLICABLE MUST REMAIN WITHIN DIMENSIONS | | THIRD ANGLE PROJECTION | | DRAWING | SERIES | MATERIAL NUMBER | CUSTOMER | SHEET NUMBER | |
| | | | | C-SIZE | 39526 | SEE SHEET 2 | GENERAL MARKET | 1 OF 2 | |

| DESCRIPTION | CIRCUIT SIZE | MATERIAL NUMBERS | | | | | | | | | | | | DIMENSIONAL INFORMATION | | | | | |
|---|--------------|------------------|-----------|-----------|------------------|-----------|-----------|------------------|-----------|-----------|------------------|-----------|-----------|-------------------------|-------|----------|-------|----------|-------|
| | | BLACK | | | | | | GREEN | | | | | | | | | | | |
| | | 100% TIN | | | 30 u" GOLD | | | 100% TIN | | | 30 u" GOLD | | | DIM. "A" | | DIM. "B" | | DIM. "C" | |
| | | PRINTING OPTIONS | | | PRINTING OPTIONS | | | PRINTING OPTIONS | | | PRINTING OPTIONS | | | mm | inch | mm | inch | mm | inch |
| | | None | 10AV | 11AV | None | 10AV | 11AV | None | 10AV | 11AV | None | 10AV | 11AV | | | | | | |
| 5.0 MM, EURO HEADER, RIGHT ANGLE, MOUNTING ENDS | 2 | 395260002 | 395260102 | 395260202 | 395260502 | 395260602 | 395260702 | 395265002 | 395265102 | 395265202 | 395265502 | 395265602 | 395265702 | 20.00 | .787 | 5.00 | .197 | 15.00 | .591 |
| 5.0 MM, EURO HEADER, RIGHT ANGLE, MOUNTING ENDS | 3 | 395260003 | 395260103 | 395260203 | 395260503 | 395260603 | 395260703 | 395265003 | 395265103 | 395265203 | 395265503 | 395265603 | 395265703 | 25.00 | .984 | 10.00 | .394 | 20.00 | .787 |
| 5.0 MM, EURO HEADER, RIGHT ANGLE, MOUNTING ENDS | 4 | 395260004 | 395260104 | 395260204 | 395260504 | 395260604 | 395260704 | 395265004 | 395265104 | 395265204 | 395265504 | 395265604 | 395265704 | 30.00 | 1.181 | 15.00 | .591 | 25.00 | .984 |
| 5.0 MM, EURO HEADER, RIGHT ANGLE, MOUNTING ENDS | 5 | 395260005 | 395260105 | 395260205 | 395260505 | 395260605 | 395260705 | 395265005 | 395265105 | 395265205 | 395265505 | 395265605 | 395265705 | 35.00 | 1.378 | 20.00 | .787 | 30.00 | 1.181 |
| 5.0 MM, EURO HEADER, RIGHT ANGLE, MOUNTING ENDS | 6 | 395260006 | 395260106 | 395260206 | 395260506 | 395260606 | 395260706 | 395265006 | 395265106 | 395265206 | 395265506 | 395265606 | 395265706 | 40.00 | 1.575 | 25.00 | .984 | 35.00 | 1.378 |
| 5.0 MM, EURO HEADER, RIGHT ANGLE, MOUNTING ENDS | 7 | 395260007 | 395260107 | 395260207 | 395260507 | 395260607 | 395260707 | 395265007 | 395265107 | 395265207 | 395265507 | 395265607 | 395265707 | 45.00 | 1.772 | 30.00 | 1.181 | 40.00 | 1.575 |
| 5.0 MM, EURO HEADER, RIGHT ANGLE, MOUNTING ENDS | 8 | 395260008 | 395260108 | 395260208 | 395260508 | 395260608 | 395260708 | 395265008 | 395265108 | 395265208 | 395265508 | 395265608 | 395265708 | 50.00 | 1.969 | 35.00 | 1.378 | 45.00 | 1.772 |
| 5.0 MM, EURO HEADER, RIGHT ANGLE, MOUNTING ENDS | 9 | 395260009 | 395260109 | 395260209 | 395260509 | 395260609 | 395260709 | 395265009 | 395265109 | 395265209 | 395265509 | 395265609 | 395265709 | 55.00 | 2.165 | 40.00 | 1.575 | 50.00 | 1.969 |
| 5.0 MM, EURO HEADER, RIGHT ANGLE, MOUNTING ENDS | 10 | 395260010 | 395260110 | 395260210 | 395260510 | 395260610 | 395260710 | 395265010 | 395265110 | 395265210 | 395265510 | 395265610 | 395265710 | 60.00 | 2.362 | 45.00 | 1.772 | 55.00 | 2.165 |
| 5.0 MM, EURO HEADER, RIGHT ANGLE, MOUNTING ENDS | 11 | 395260011 | 395260111 | 395260211 | 395260511 | 395260611 | 395260711 | 395265011 | 395265111 | 395265211 | 395265511 | 395265611 | 395265711 | 65.00 | 2.559 | 50.00 | 1.969 | 60.00 | 2.362 |
| 5.0 MM, EURO HEADER, RIGHT ANGLE, MOUNTING ENDS | 12 | 395260012 | 395260112 | 395260212 | 395260512 | 395260612 | 395260712 | 395265012 | 395265112 | 395265212 | 395265512 | 395265612 | 395265712 | 70.00 | 2.756 | 55.00 | 2.165 | 65.00 | 2.559 |
| 5.0 MM, EURO HEADER, RIGHT ANGLE, MOUNTING ENDS | 13 | 395260013 | 395260113 | 395260213 | 395260513 | 395260613 | 395260713 | 395265013 | 395265113 | 395265213 | 395265513 | 395265613 | 395265713 | 75.00 | 2.953 | 60.00 | 2.362 | 70.00 | 2.756 |
| 5.0 MM, EURO HEADER, RIGHT ANGLE, MOUNTING ENDS | 14 | 395260014 | 395260114 | 395260214 | 395260514 | 395260614 | 395260714 | 395265014 | 395265114 | 395265214 | 395265514 | 395265614 | 395265714 | 80.00 | 3.150 | 65.00 | 2.559 | 75.00 | 2.953 |
| 5.0 MM, EURO HEADER, RIGHT ANGLE, MOUNTING ENDS | 15 | 395260015 | 395260115 | 395260215 | 395260515 | 395260615 | 395260715 | 395265015 | 395265115 | 395265215 | 395265515 | 395265615 | 395265715 | 85.00 | 3.346 | 70.00 | 2.756 | 80.00 | 3.150 |
| 5.0 MM, EURO HEADER, RIGHT ANGLE, MOUNTING ENDS | 16 | 395260016 | 395260116 | 395260216 | 395260516 | 395260616 | 395260716 | 395265016 | 395265116 | 395265216 | 395265516 | 395265616 | 395265716 | 90.00 | 3.543 | 75.00 | 2.953 | 85.00 | 3.346 |
| 5.0 MM, EURO HEADER, RIGHT ANGLE, MOUNTING ENDS | 17 | 395260017 | 395260117 | 395260217 | 395260517 | 395260617 | 395260717 | 395265017 | 395265117 | 395265217 | 395265517 | 395265617 | 395265717 | 95.00 | 3.740 | 80.00 | 3.150 | 90.00 | 3.543 |
| 5.0 MM, EURO HEADER, RIGHT ANGLE, MOUNTING ENDS | 18 | 395260018 | 395260118 | 395260218 | 395260518 | 395260618 | 395260718 | 395265018 | 395265118 | 395265218 | 395265518 | 395265618 | 395265718 | 100.00 | 3.937 | 85.00 | 3.346 | 95.00 | 3.740 |
| 5.0 MM, EURO HEADER, RIGHT ANGLE, MOUNTING ENDS | 19 | 395260019 | 395260119 | 395260219 | 395260519 | 395260619 | 395260719 | 395265019 | 395265119 | 395265219 | 395265519 | 395265619 | 395265719 | 105.00 | 4.134 | 90.00 | 3.543 | 100.00 | 3.937 |
| 5.0 MM, EURO HEADER, RIGHT ANGLE, MOUNTING ENDS | 20 | 395260020 | 395260120 | 395260220 | 395260520 | 395260620 | 395260720 | 395265020 | 395265120 | 395265220 | 395265520 | 395265620 | 395265720 | 110.00 | 4.331 | 95.00 | 3.740 | 105.00 | 4.134 |
| 5.0 MM, EURO HEADER, RIGHT ANGLE, MOUNTING ENDS | 21 | 395260021 | 395260121 | 395260221 | 395260521 | 395260621 | 395260721 | 395265021 | 395265121 | 395265221 | 395265521 | 395265621 | 395265721 | 115.00 | 4.528 | 100.00 | 3.937 | 110.00 | 4.331 |
| 5.0 MM, EURO HEADER, RIGHT ANGLE, MOUNTING ENDS | 22 | 395260022 | 395260122 | 395260222 | 395260522 | 395260622 | 395260722 | 395265022 | 395265122 | 395265222 | 395265522 | 395265622 | 395265722 | 120.00 | 4.724 | 105.00 | 4.134 | 115.00 | 4.528 |
| 5.0 MM, EURO HEADER, RIGHT ANGLE, MOUNTING ENDS | 23 | 395260023 | 395260123 | 395260223 | 395260523 | 395260623 | 395260723 | 395265023 | 395265123 | 395265223 | 395265523 | 395265623 | 395265723 | 125.00 | 4.921 | 110.00 | 4.331 | 120.00 | 4.724 |
| 5.0 MM, EURO HEADER, RIGHT ANGLE, MOUNTING ENDS | 24 | 395260024 | 395260124 | 395260224 | 395260524 | 395260624 | 395260724 | 395265024 | 395265124 | 395265224 | 395265524 | 395265624 | 395265724 | 130.00 | 5.118 | 115.00 | 4.528 | 125.00 | 4.921 |

| TOLERANCES | | | |
|------------|-------|-----------|-------|
| MM | TOL | INCH | TOL |
| 0-6 | ±0.25 | 0-.24 | ±.010 |
| >6-30 | ±0.40 | .24-1.18 | ±.016 |
| >30-120 | ±0.50 | 1.18-4.76 | ±.020 |
| >120 | ±0.80 | >4.76 | ±.031 |

| | | | | | | | | | | | | | | | |
|--|---|------------------------|-------|----------------------|---|---------------------|--|----------------------|--|--------------|--|--------------|--|----------|--|
| FUNCTIONAL SYMBOLS FA = 0 FC = 0 FP = 0 | THIS DRAWING CONTAINS INFORMATION THAT IS PROPRIETARY TO MOLEX ELECTRONIC TECHNOLOGIES, LLC AND SHOULD NOT BE USED WITHOUT WRITTEN PERMISSION | | | | | | | | | | | | | | |
| | DIMENSION UNITS | | SCALE | | CURRENT REV DESC: MODIFIED SPECIFICATIONS | | | | | | | | | | |
| | MM/INCH | | 2:1 | | EC NO: 735568 DRWN: ABENJAMINLW 2023/01/06 CHK'D: DACHAMMER 2023/01/17 APPR: JFMURPHY 2023/01/27 | | | | | | | | | | |
| | GENERAL TOLERANCES (UNLESS SPECIFIED) | | | | | | | | | | | | | | |
| DIVISIONAL SYMBOLS | | MM | | INCH | | INITIAL REVISION: | | DOCUMENT NUMBER | | DOC TYPE | | DOC PART | | REVISION | |
| 4 PLACES ± --- ± --- | | 3 PLACES ± --- ± --- | | 2 PLACES ± --- ± --- | | 1 PLACE ± --- ± --- | | 0 PLACES ± --- ± --- | | SD-39526-002 | | PSD 001 | | B3 | |
| DRAFT WHERE APPLICABLE MUST REMAIN WITHIN DIMENSIONS | | THIRD ANGLE PROJECTION | | DRAWING | | SERIES | | MATERIAL NUMBER | | CUSTOMER | | SHEET NUMBER | | | |
| | | C-SIZE | | 39526 | | SEE CHART | | GENERAL MARKET | | 2 OF 2 | | | | | |