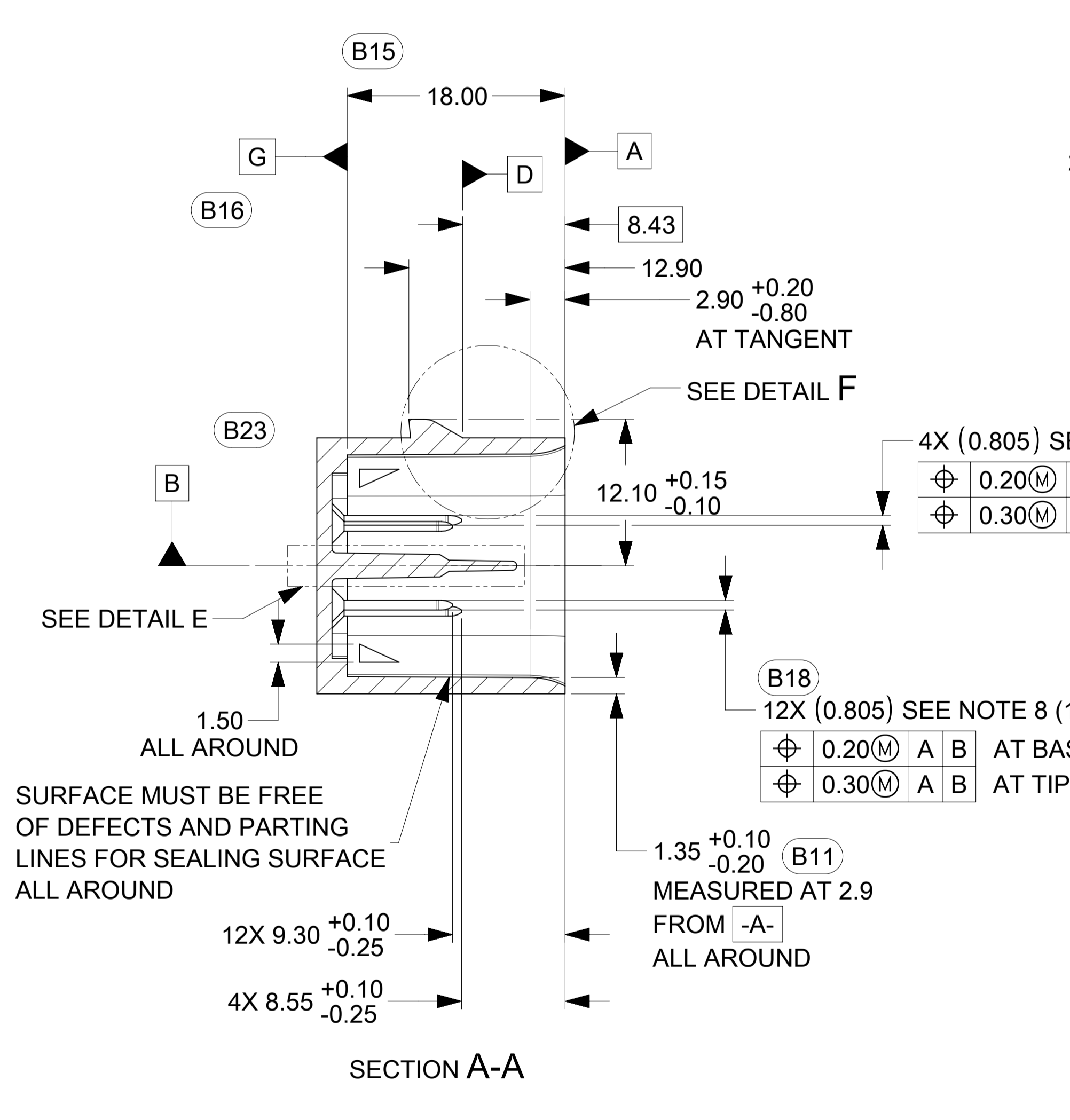
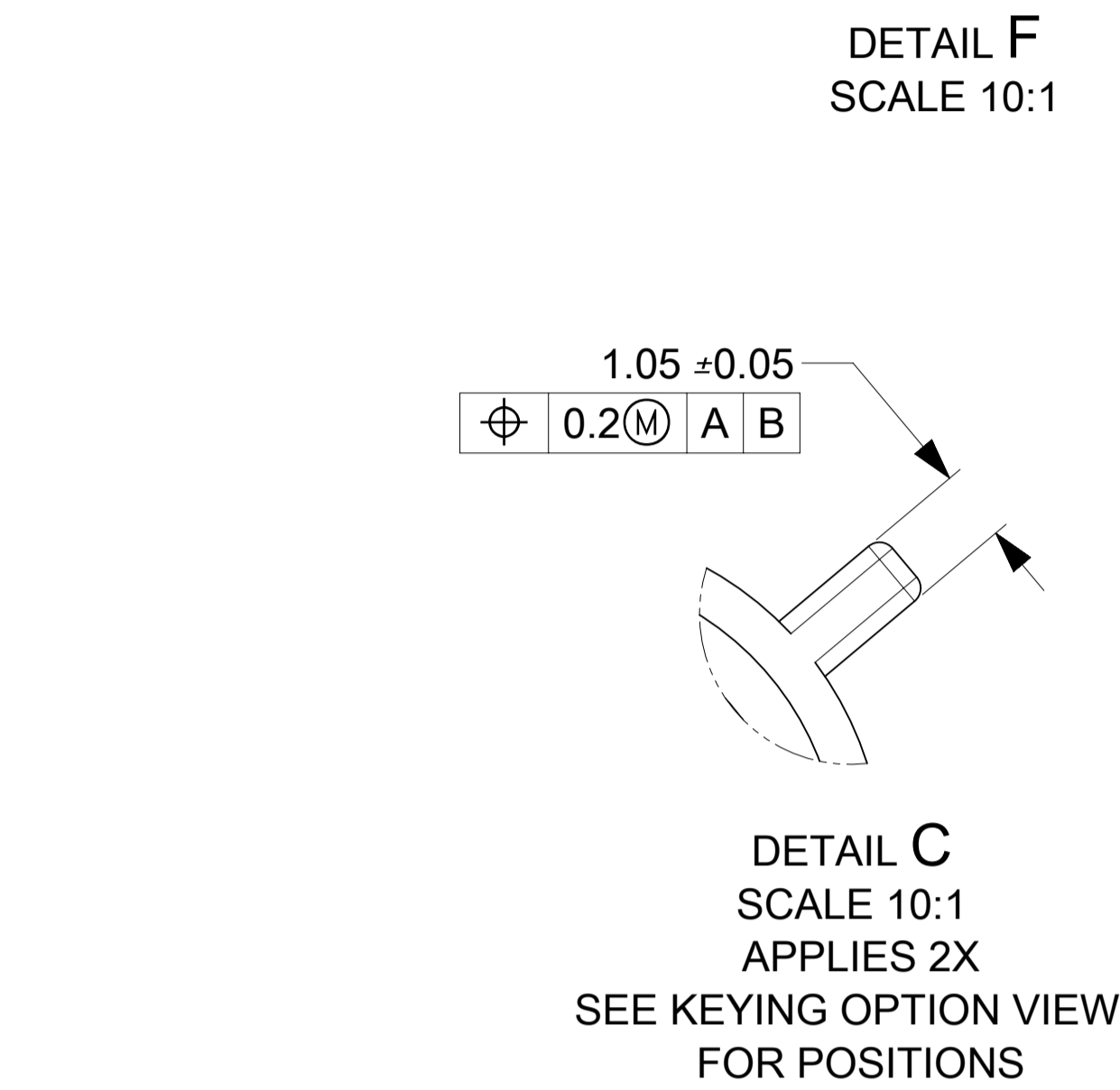
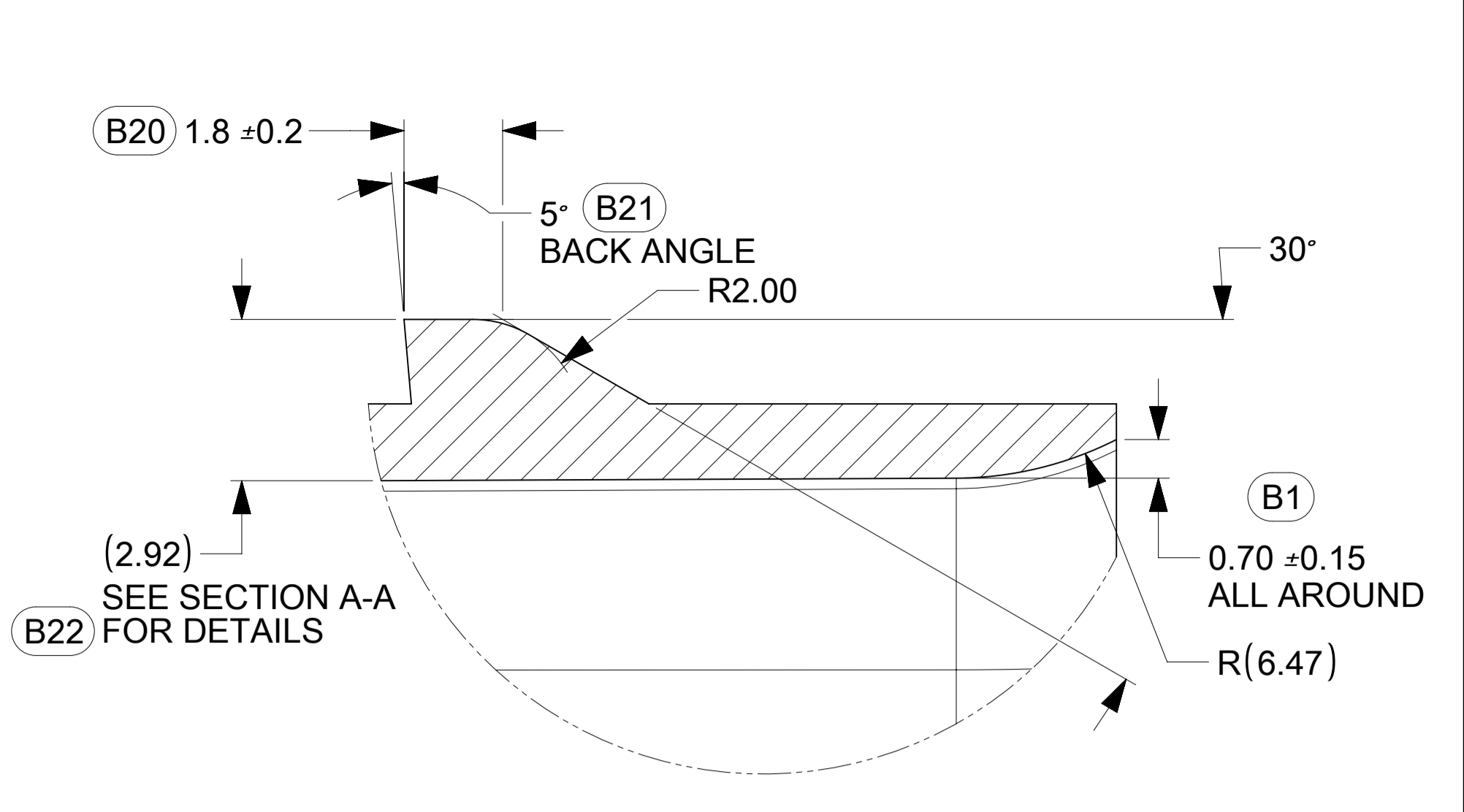
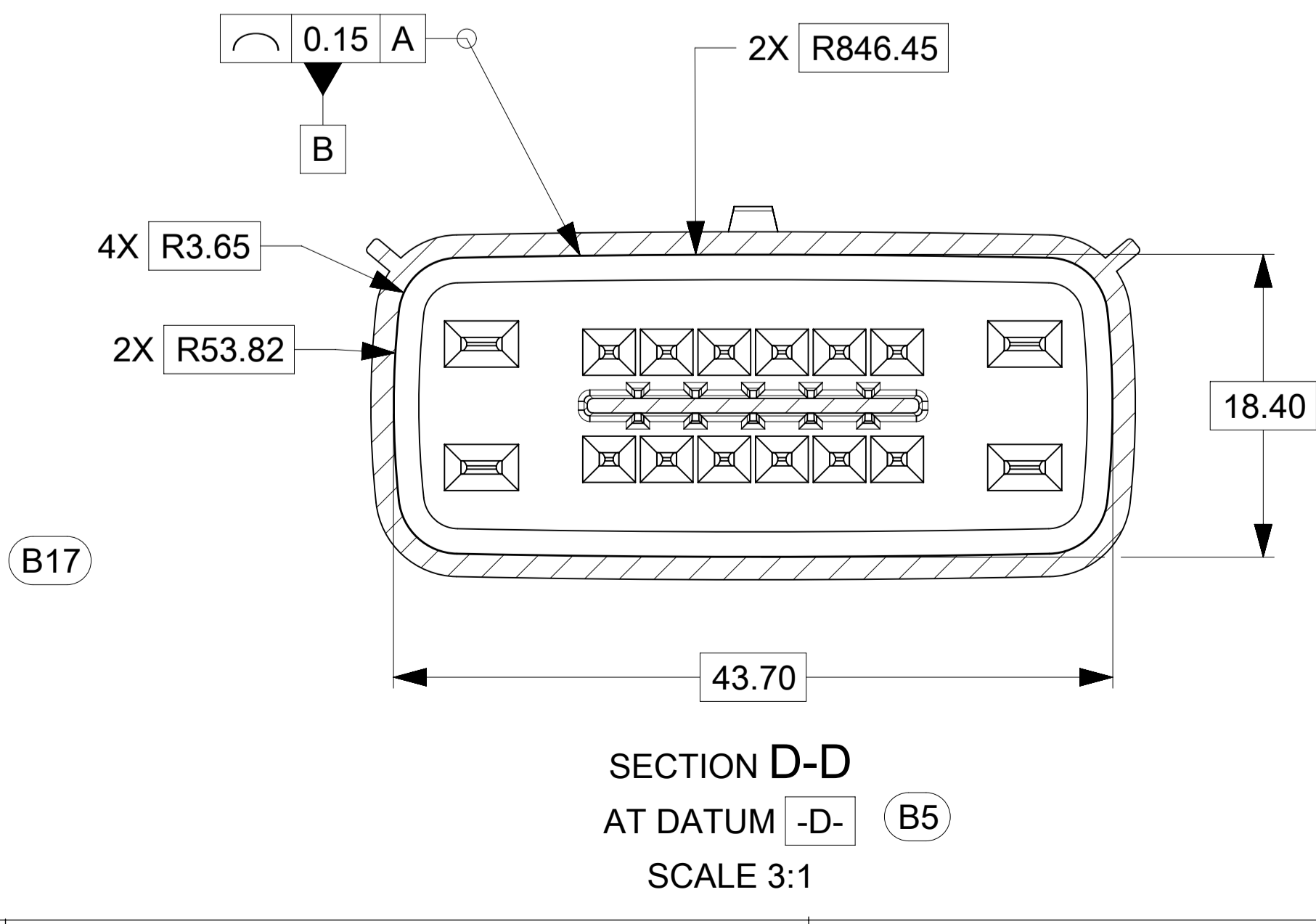
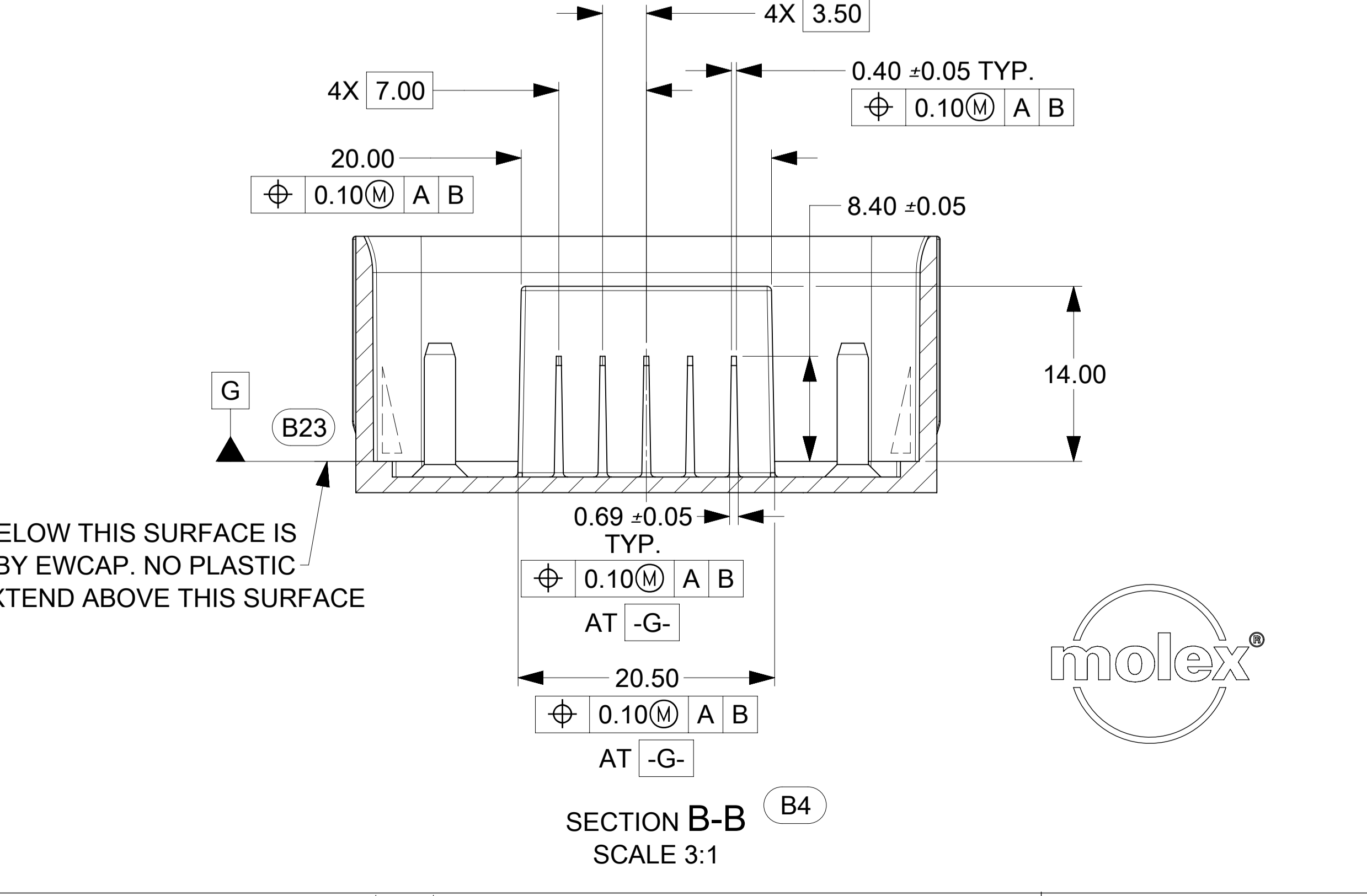
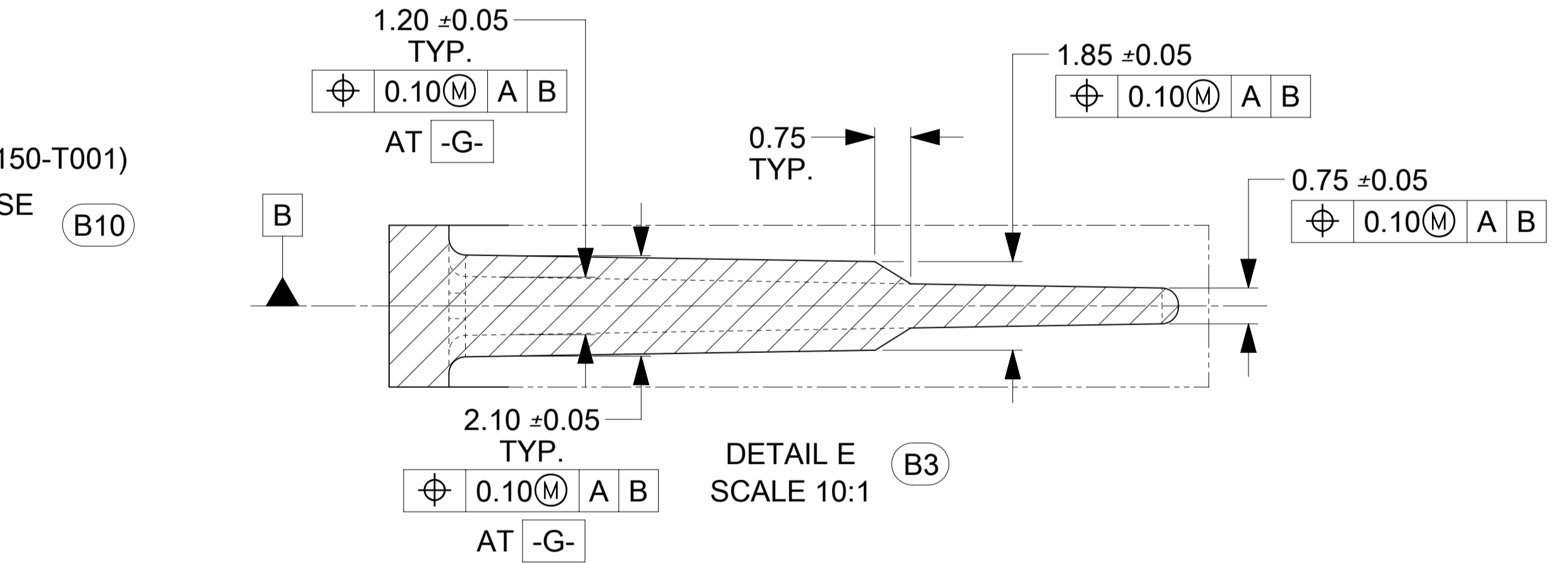
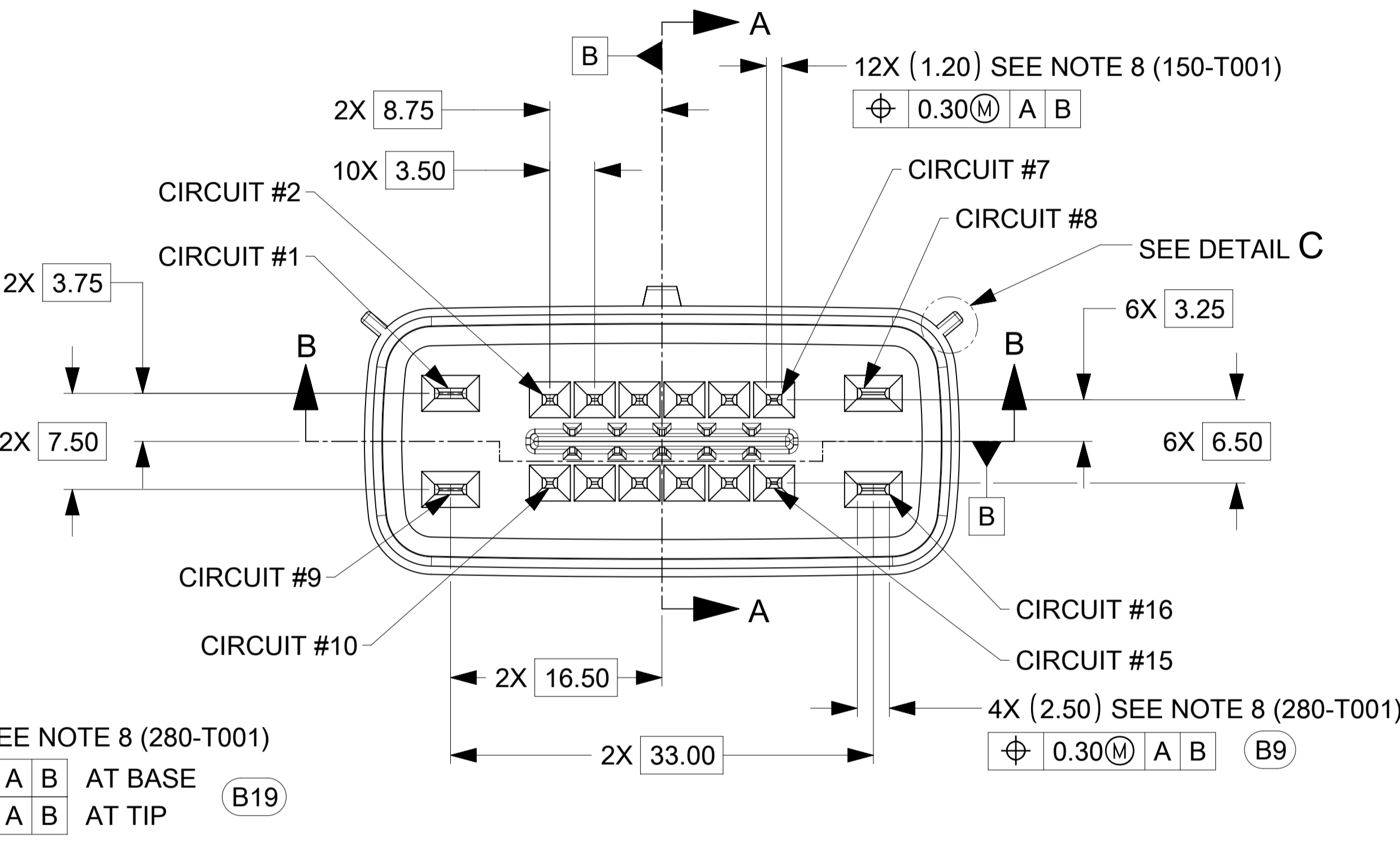
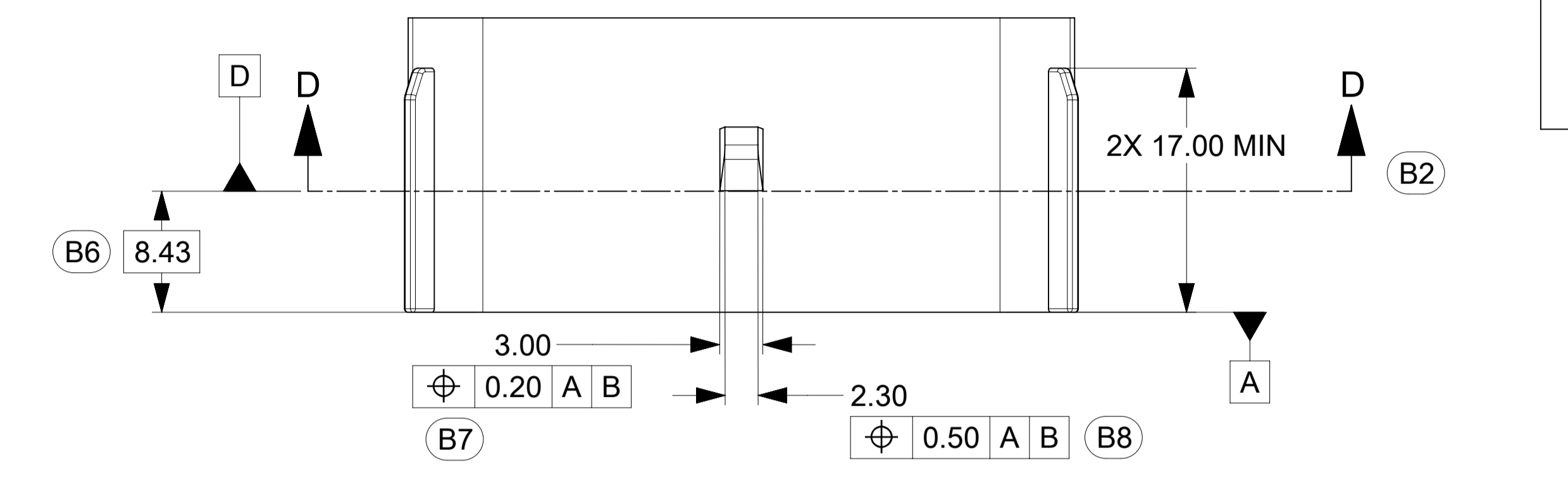
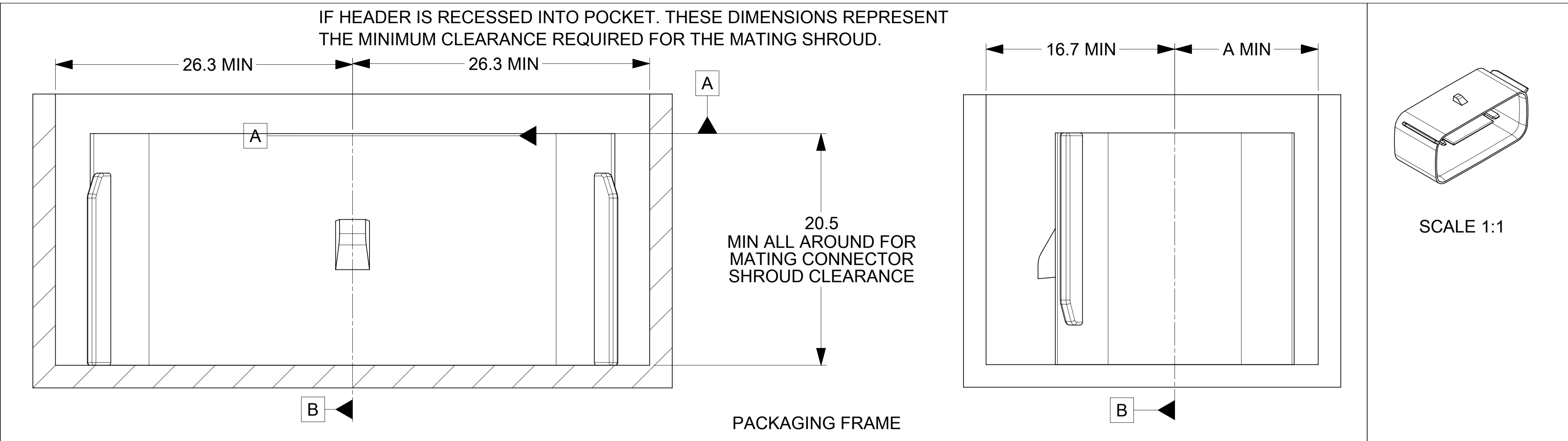


EWCAP PIN	OPTION	MATING CONNECTOR COLOR
999-S-016-2-H01	H	YELLOW
999-S-016-2-G01	G	YELLOW
999-S-016-2-F01	F	YELLOW
999-S-016-2-E01	E	YELLOW
999-S-016-2-D01	D	BLACK
999-S-016-2-C01	C	DARK GREY
999-S-016-2-B01	B	GREY
999-S-016-2-A01	A	BLACK



- NOTES: UNLESS OTHERWISE SPECIFIED
- DRAFT ANGLE PERMISSIBLE 0.25° MAXIMUM.
 - ALL DIMENSIONS SHOWN IN MILLIMETERS.
 - DIMENSIONING AND TOLERANCING PER ASME Y14.5M-1994
 - RADII ON ALL CORNERS SHOWN SHARP OR ALL UNSPECIFIED RADII: 0.25 EXCEPT AS NOTED.
 - STANDARD COLORS FOR POLARIZATION (SEE CHART). DEVIATION REQUIRES APPROVAL OF AUTHORIZED PERSON.
 - A FULL SHROUD ON THE MATING CONNECTOR IS REQUIRED TO INSURE THAT THE CONNECTOR-HEADER POLARIZATION FEATURES (OPTIONS A THRU H) WILL FUNCTION. THE SHROUD ALSO PREVENTS SCOOP DAMAGE TO THE HEADER PINS. REFER TO "SAE/USCAR-12 CONNECTOR DESIGN GUIDE LINES" FOR ADDITIONAL INFORMATION.
 - REFER TO USCAR/EWCAP PART LIST AS FOUND ON WEBSITE <http://www.uscarteams.org>
 - FOR BLADE TERMINAL DESIGN INFORMATION SEE EWCAP DWG. # EWCAP-001
 - THIS IS A 100% CAD GENERATED PART. THE CAD MATHEMATICAL DATA IS THE MASTER FOR THIS PART. FOR DIMENSIONAL OR ANY INFORMATION NOT SHOWN ON THIS DRAWING, ANALYZE THE CAD MODEL.



Connector Description	DIMENSION A
CONNECTOR WITHOUT CLIP-SLOT	12.7
CONNECTOR WITH CLIP-SLOT	16.7

REV	DESCRIPTION	DATE	DWN	CHK	
162	C	CHARTED DIMENSION ADDED FOR WITH AND WITHOUT CLIPSLLOT	8-3-20	GE	MV
088	B23	ADDED DRAFT DIRECTION SYMBOL	3-25-11		
088	B22	ADDED REF DIMENSION FOR	3-11-11		
		LATCH HEIGHT			
088	B21	REMOVED THE WORD "OPTION" AT VIEW OF BACK ANGLE	3-11-11		
088	B20	CHANGED FROM 1.79 TO 1.80	3-11-11		
088	B19	ADDED 4X (0.805) AT BASE AND AT TIP FOR 2.8 BLADE TERMINALS	1-14-11		
088	B18	CHANGED 16X TO 12X FOR THE 1.5 BLADE TERMINALS	1-14-11		
088	B17	UPDATED CONNECTOR COLORS	1-14-11		
088	B16	ADDED -G-	5-04-10		
088	B15	REMOVED	5-04-10		
088	B14	REMOVED SHORTING BAR NOTE	5-04-10		
088	B13	UPDATED NOTE 8 REMOVED REV F	5-04-10		
088	B12	ADDED NOTE 9	5-04-10		
088	B11	ADDED DIM 1.35±0.10/-0.20 MEASURED AT 2.9 FROM -A- ALL AROUND	5-04-10		
088	B10	ADDED SEE NOTE 8	5-04-10		
088	B9	2.50 WAS 2.80, ADDED (280-T001)	5-04-10		
088	B8	ADDED	5-04-10		
088	B7	ADDED	5-04-10		
088	B6	ADDED DIM 8.43	5-04-10		
088	B5	ADDED SEC C-C	5-04-10		
088	B4	UPDATED SEC B-B	5-04-10		
088	B3	ADDED DETAIL D	5-04-10		
088	B2	ADDED SEC C-C	5-04-10		
088	B1	ADDED DIM 0.70±0.15 ALL AROUND	5-04-10		
088	B	RELEASED	5-04-10	KC	MV

CHANGE SERIAL NUMBER	LET	REVISION RECORD	DATE	DWN	CHK

TOLERANCES (UNLESS OTHERWISE SPECIFIED)		THRU ANGLE PROJECTION	
DIMENSIONS ARE IN	MILLIMETERS		
ANGLES	±3°		
X	±0.2	XX	±0.10

EWCAP			
SCALE	4 - 1	DRAWN BY	G.ELLIOTT
CHECKED BY	M.VANSLAMBROUCK	DATE	08-03-20
TITLE: DIRECT CONNECT INTERFACE 16 WAY (2 X 8) 1.5MM SEALED MALE			
SHEET OF:	999-S-016-2-Z02	SIZE	E
DO NOT SCALE DRAWING		COMPUTER AIDED DRAWING	
REVISION LEVEL		C	

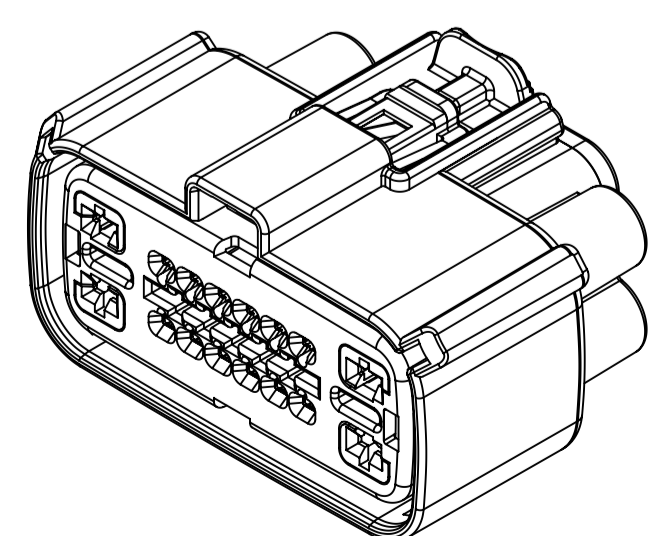
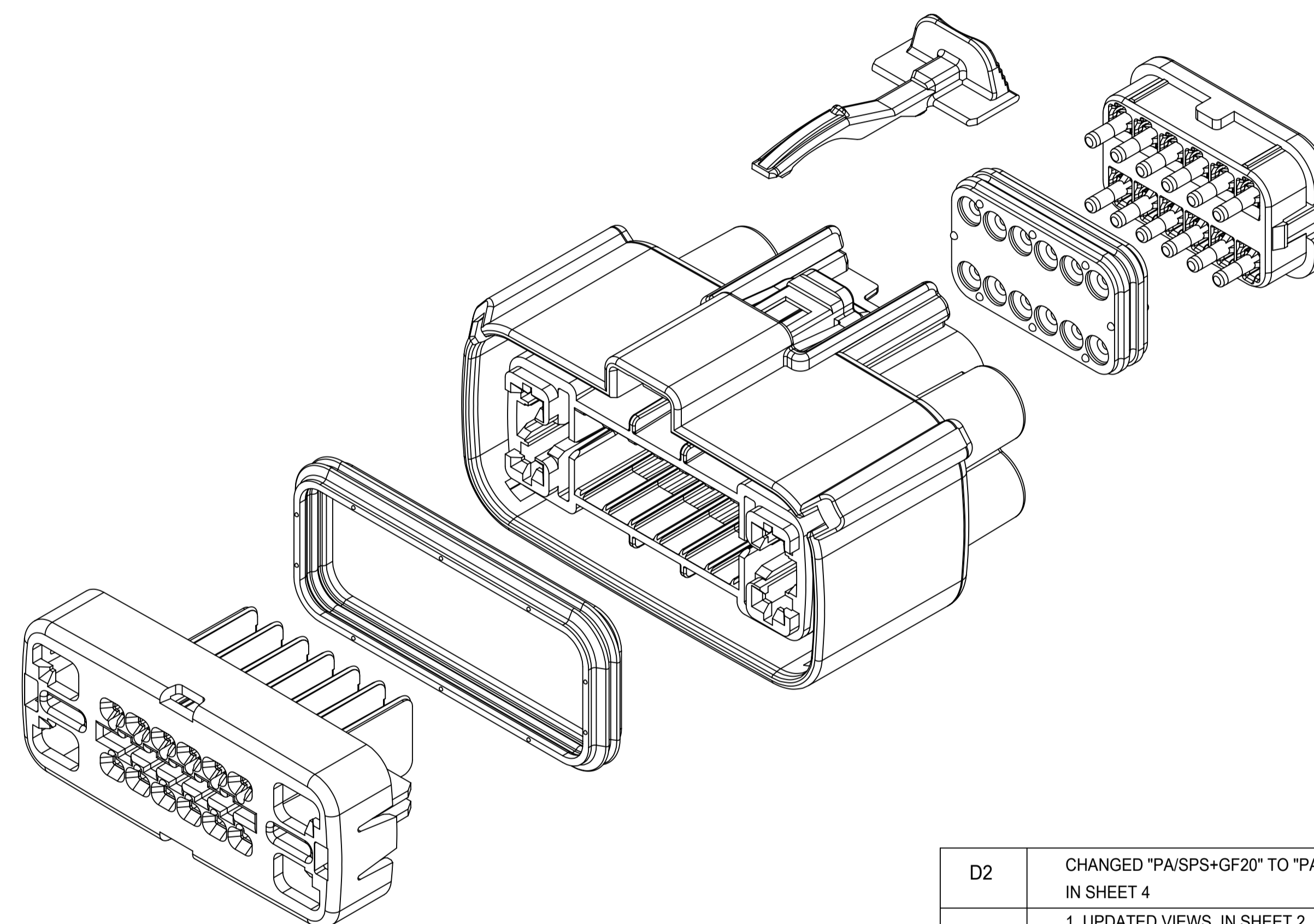
TABLE OF CONTENTS	
SHEET NO.	SHEET DESCRIPTION
1	NOTES AND BOM
2	CONFIGURATIONS
3	KEY CONFIGURATIONS
4	RECEPTACLE CONNECTOR ASSEMBLY

NOTES: VALID UNLESS OTHERWISE SPECIFIED

1. GENERAL:
- a. APPLICATION SPECIFICATION SEE: AS-33472-100
- CONTAINS: PRODUCT INTRODUCTION, PRODUCT SUMMARY, CONNECTOR ASSEMBLY, PACKAGING INFORMATION, CONNECTOR MATING, SERVICE INSTRUCTIONS, ELECTRICAL CONTINUITY CHECKING, CRIMPING, AND TROUBLESHOOTING.
 - DESIGNED TO MATE WITH DEVICE OR CONNECTOR AS SPECIFIED IN THE MATING INTERFACE/CONNECTOR DRAWINGS CHART.
 - *DENOTES DRAWINGS THAT CAN BE ACCESSED AT <http://ewcap.uscarteams.org/>.
 - ASSEMBLY SHIPPED WITH PLR IN PRE-LOCK POSITION (SEE PLR PRE-LOCK VIEW SHEET 4).
- b. PRODUCT SPECIFICATION SEE: PS-33476-000
- CONTAINS: PRODUCT INTRODUCTION, PRODUCT SUMMARY, RATINGS (CURRENT, TEMPERATURE, SEALING, AND FLAMMABILITY), TERMINALS, WIRE DIAMETER RANGE, PRODUCT VALIDATION, AND PRODUCT DEVIATIONS.
- c. PACKAGING SPECIFICATION PER MOLEX DRAWING: SEE PACKAGING CHART
- d. PARTS MUST BE IN COMPLIANCE TO MOLEX CHEMICAL SUBSTANCES FOR PRODUCTS AND PACKAGING SPECIFICATION: QEHS-699000-300
- e. DATA MUST BE SUBMITTED UNDER THE MOLEX PART NUMBER TO IMDS (COMPANY ID#13255)
2. DESIGN - MATERIALS:
- a. SEE BOM TABLE IN SD-34985-8002
3. DESIGN - GEOMETRY:
- a. THE 3-D CAD DATA IS BASIC (WITHOUT TOLERANCE) AND MASTER FOR THIS PART WITH THE EXCEPTION OF UNDERLINED DIMENSIONS. DIMENSIONAL INFORMATION NOT SHOWN ON THIS DRAWING IS DEFINED BY THE DATA FILE AT ITS LATEST REVISION.
- b. GEOMETRIC DIMENSIONS AND TOLERANCES PER ASME Y14.5M-2009
- c. EDGES AND UNDIMENSIONED DETAILS PER ISO13715
- d. CORNERS SHOWN AS SHARP TO BE R 0.2 MAX.
- e. LETTERING SHALL BE 0.15 MAX RAISED IN 0.25 MAX RECESS PAD. THIS INCLUDES RECYCLING CODE, CAVITY ID, VENDOR IDENTIFICATION, AND CUSTOMER MATERIAL NUMBER.
- f. VISUAL DEFECTS SHALL MEET COSMETIC STANDARD PS-45499-002 (Class B).
- g. LASER MARKING:
1. PART NUMBER
 2. DAY OF THE YEAR
 3. SHIFT
 4. YEAR
- FOR ADDITIONAL INFORMATION SEE SECTION 5 UNDER PROCEDURES IN ES-34735-008.

PACKAGING	
DESCRIPTION	DRAWING NO.
W/ CLIPSLOT	PK-30907-895
W/O CLIPSLOT	PK-31300-094

MATING INTERFACE/CONNECTOR DRAWINGS		
DESCRIPTION	INTERFACE DEFINITION	MOLEX INLINE
W/O SHORTING BAR	*999-S-016-2-Z02	SD-34986-8001
W/ SHORTING BAR	N/A	SD-34986-8001



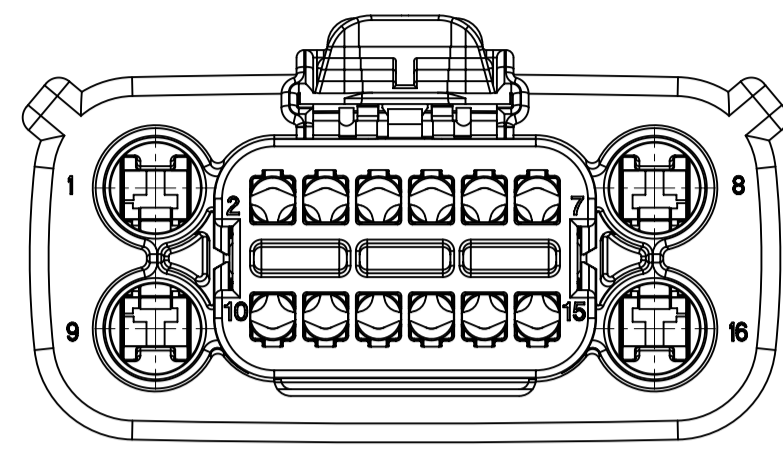
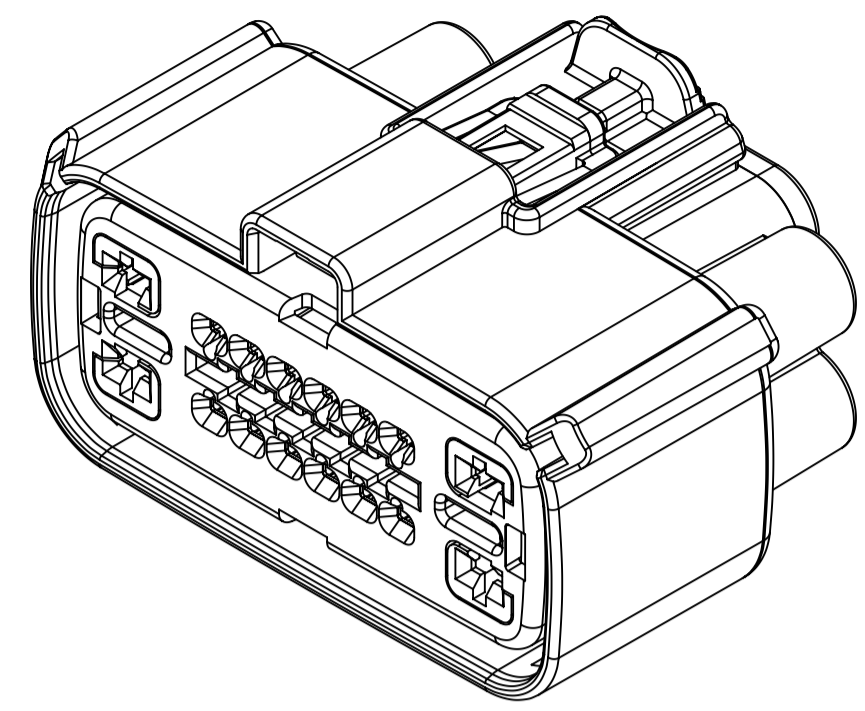
INSPECTION NUMBER LOG	
LAST NUMBER:	11
ADDED:	
REMOVED:	

D2	CHANGED "PA/SPS+GF20" TO "PA/SPS-GF20" IN SHEET 4
D1	1. UPDATED VIEWS IN SHEET 2 2. CHANGED DIM 10.98 TO 11.00, 6.61 TO 6.60, 15.00+/-0.10 TO 15.00+0.30/-0.20 IN SHEET 4
D	REMOVED BOM (REFER TO SD-34985-8002)
C	NEW P/N 34985-4026 THRU 4028
B	NEW P/N 34985-4023 THRU 4025
A2	UPDATED PACKAGING DWGS
A1	FIXED TYPO IN NOTE 1a
A	INITIAL RELEASE
REV	REV DESCRIPTION

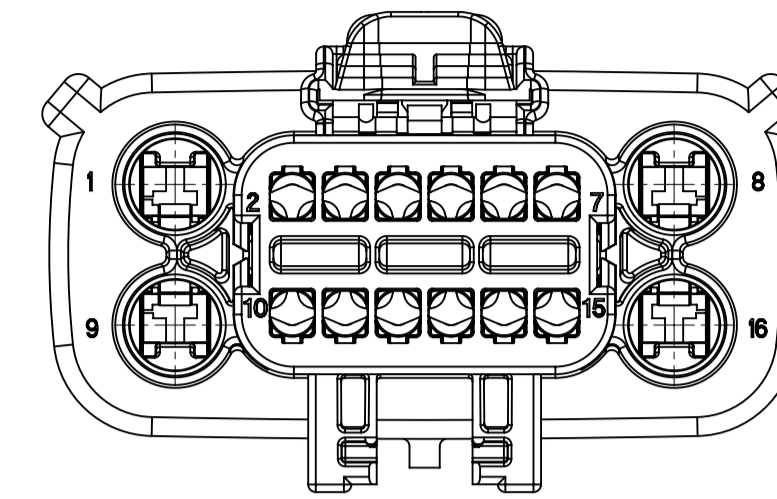
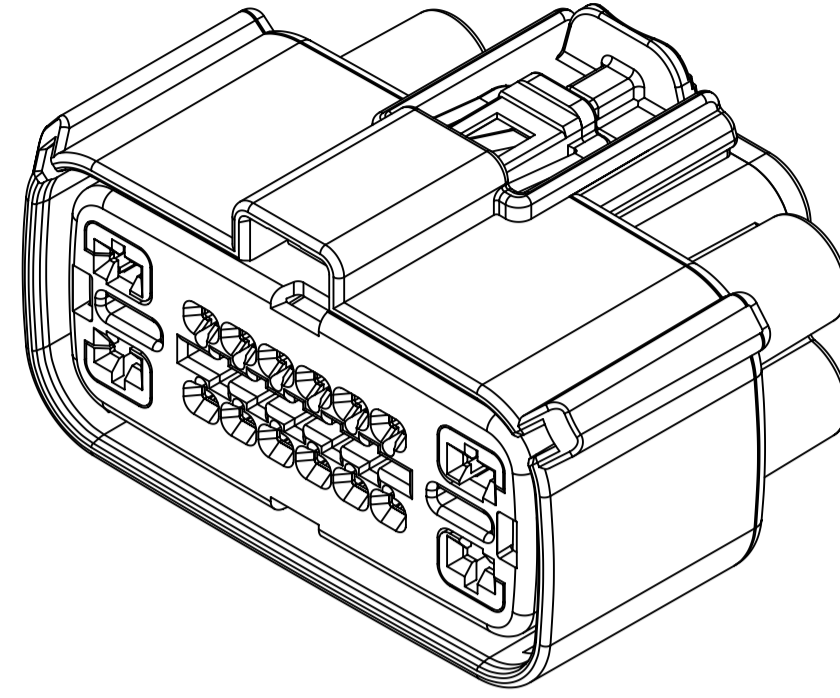
SYMBOLS = 0 mm = 0 1.5:1 = 0 GENERAL TOLERANCES (UNLESS SPECIFIED) = 0 ANGULAR TOL ± 3.0° = 0 4 PLACES ± = 0 3 PLACES ± = 0 2 PLACES ± 0.1 = 0 1 PLACE ± 0.3 = 0 0 PLACES ± = 0 DRAFT WHERE APPLICABLE MUST REMAIN WITHIN DIMENSIONS	THIS DRAWING CONTAINS INFORMATION THAT IS PROPRIETARY TO MOLEX ELECTRONIC TECHNOLOGIES, LLC AND SHOULD NOT BE USED WITHOUT WRITTEN PERMISSION	CURRENT REV DESC: EC NO: 619601 DRWN: HKLIANG 2019/07/25 CHK'D: MVANSLAMBROU 2019/08/02 APPR: MVANSLAMBROU 2019/08/02 INITIAL REVISION: DRWN: TYE 2014/09/12 APPR: VKOSHY 2014/09/22	
	MX150 16 WAY HYBRID RECP T SEALED ASSEMBLY	PRODUCT CUSTOMER DRAWING	DOCUMENT NUMBER: SD-34985-8001 DOC TYPE: PSD DOC PART: 001 REVISION: D2
DRAFT WHERE APPLICABLE MUST REMAIN WITHIN DIMENSIONS	THIRD ANGLE PROJECTION	DRAWING: A1-SIZE SERIES: 34985	MATERIAL NUMBER: GENERAL MARKET CUSTOMER: GENERAL MARKET SHEET NUMBER: 1 OF 4

SHEET DESCRIPTION

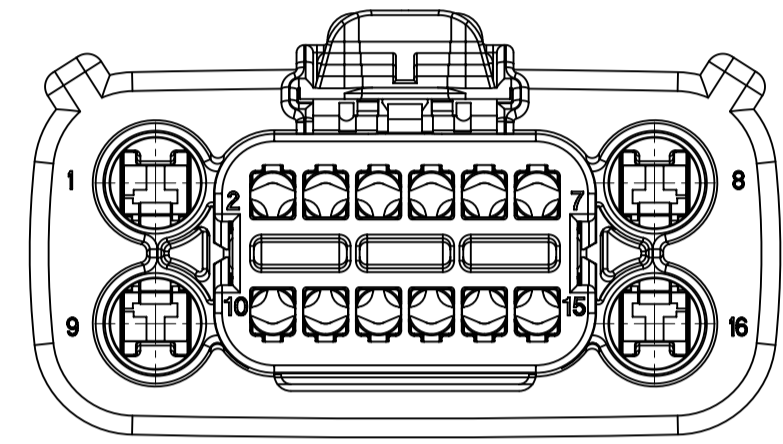
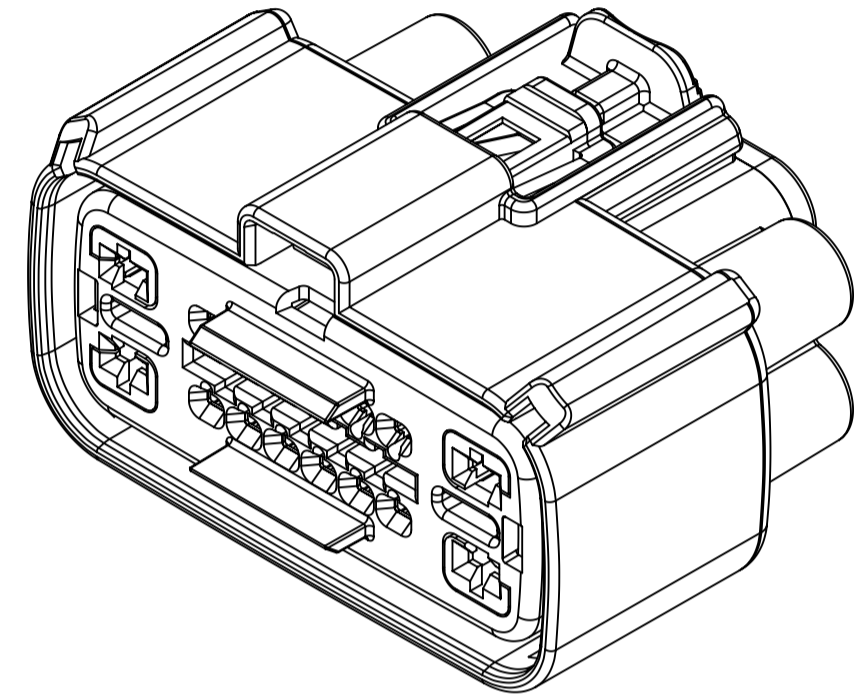
CONFIGURATIONS



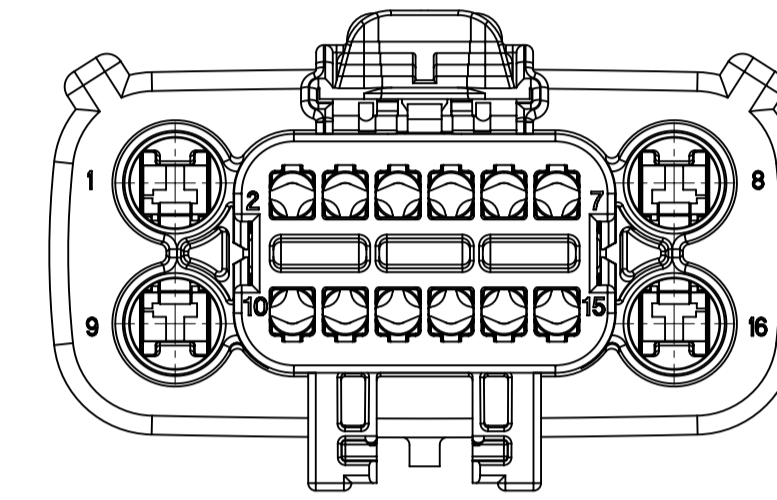
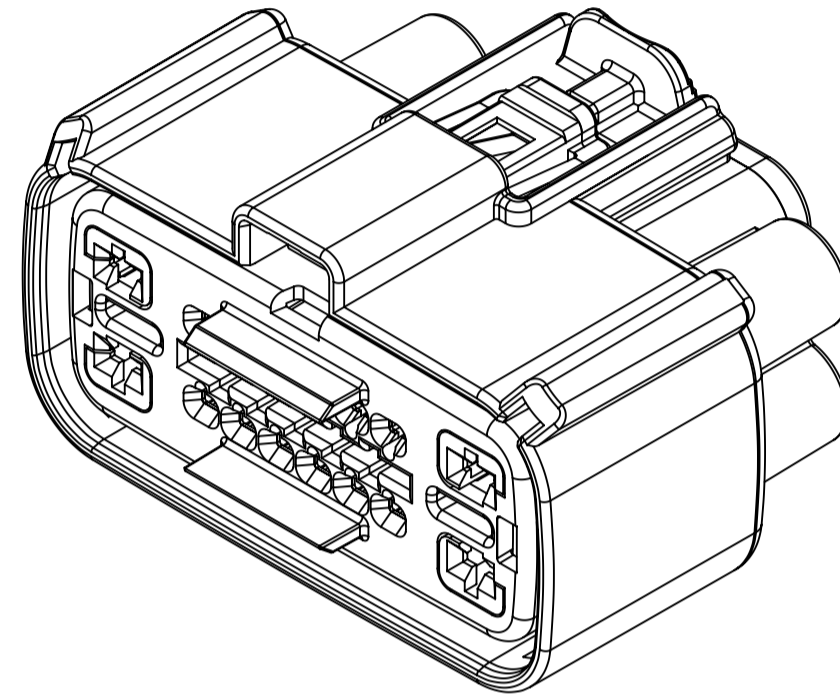
STANDARD (STD) - ALL OPEN 2.8mm CAVITIES



STANDARD (STD) - ALL OPEN 2.8mm CAVITIES WITH CLIPSLOT



SHORTING (SHRT) BAR - ALL OPEN 2.8mm CAVITIES

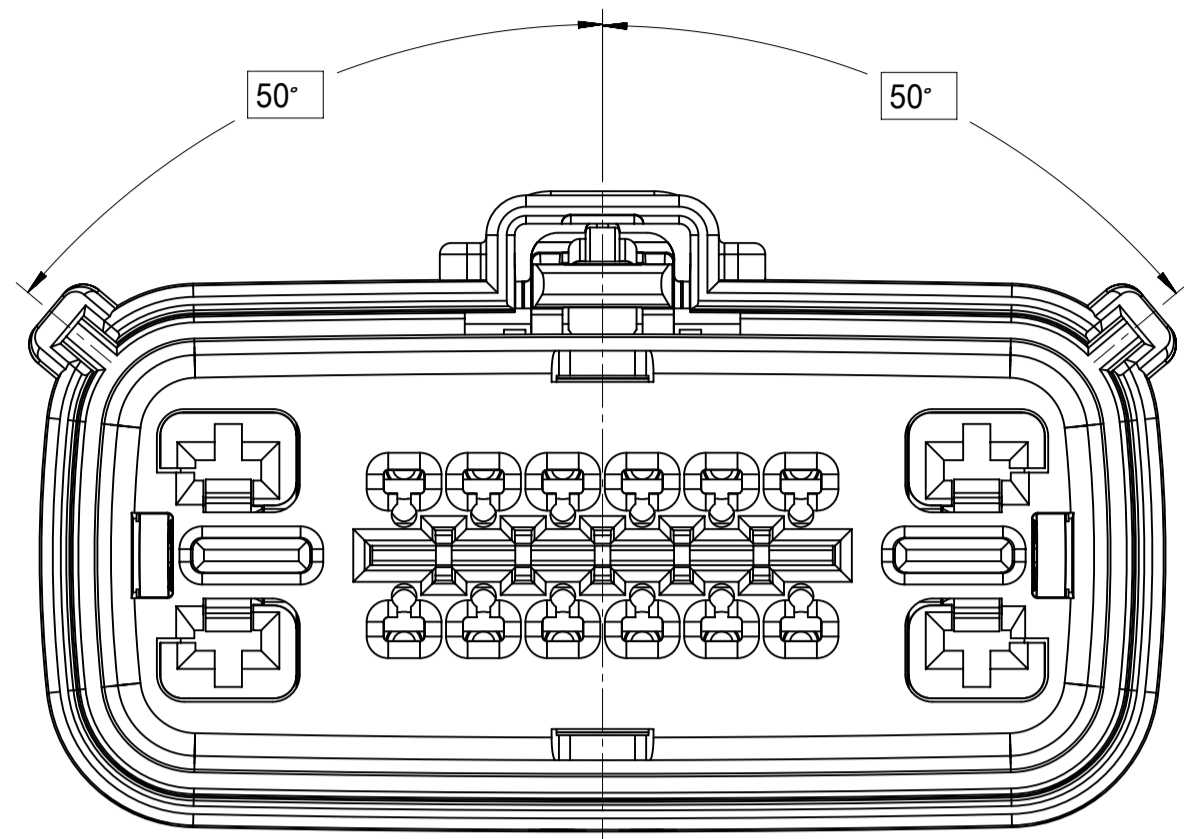


SHORTING (SHRT) BAR - ALL OPEN 2.8mm CAVITIES WITH CLIPSLOT

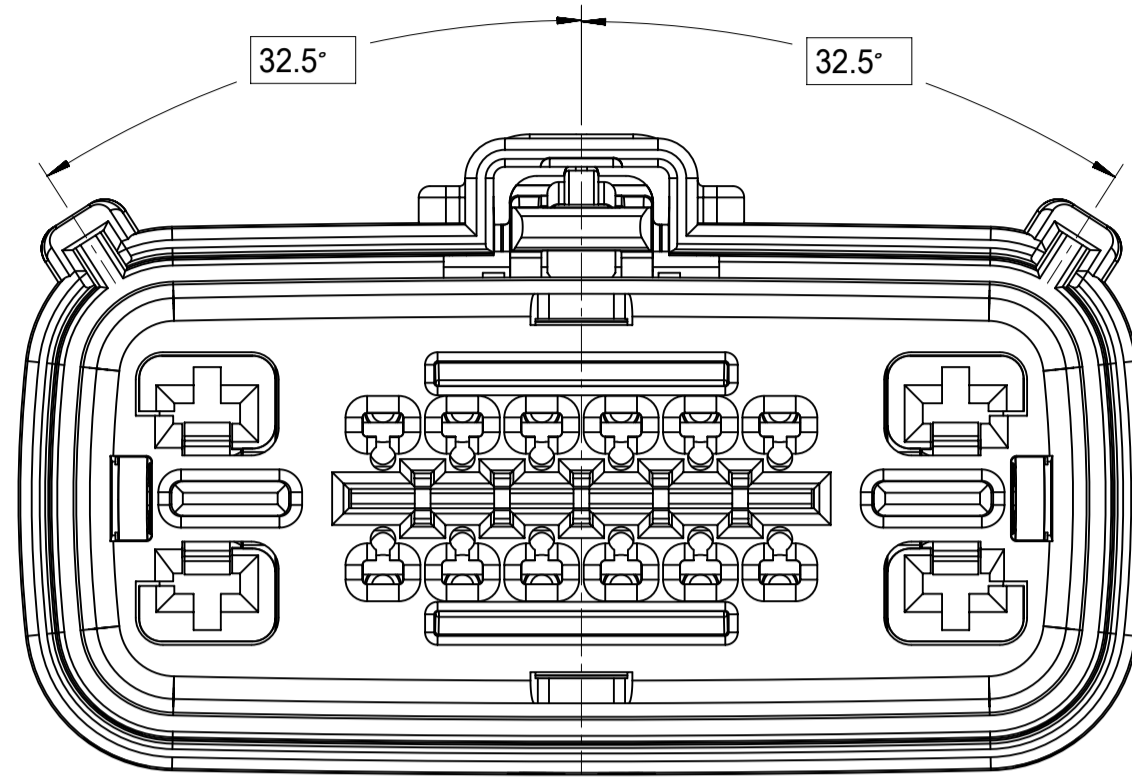
SYMBOLS		THIS DRAWING CONTAINS INFORMATION THAT IS PROPRIETARY TO MOLEX ELECTRONIC TECHNOLOGIES, LLC AND SHOULD NOT BE USED WITHOUT WRITTEN PERMISSION		CURRENT REV DESC:		molex	
	DIMENSION UNITS	mm	SCALE	2:1		MX150 16 WAY HYBRID RECPT SEALED ASSEMBLY	
	GENERAL TOLERANCES (UNLESS SPECIFIED)		EC NO: 619601		PRODUCT CUSTOMER DRAWING		
	ANGULAR TOL ± 3.0°		DRWN: HKLIANG 2019/07/25		DOCUMENT NUMBER		DOC TYPE DOC PART REVISION
	4 PLACES ±	CHK'D: MVANSLAMBROU 2019/08/02		SD-34985-8001		PSD	001 D2
	3 PLACES ±	APPR: MVANSLAMBROU 2019/08/02		INITIAL REVISION:			
	2 PLACES ± 0.1	DRWN: TYE 2014/09/12		MATERIAL NUMBER		CUSTOMER	
	1 PLACE ± 0.3	APPR: VKOSHY 2014/09/22		SERIES		SHEET NUMBER	
	0 PLACES ±	DRAFT WHERE APPLICABLE MUST REMAIN WITHIN DIMENSIONS		THIRD ANGLE PROJECTION		GENERAL MARKET	
			DRAWING		A1-SIZE		2 OF 4
			SERIES		34985		

SHEET DESCRIPTION

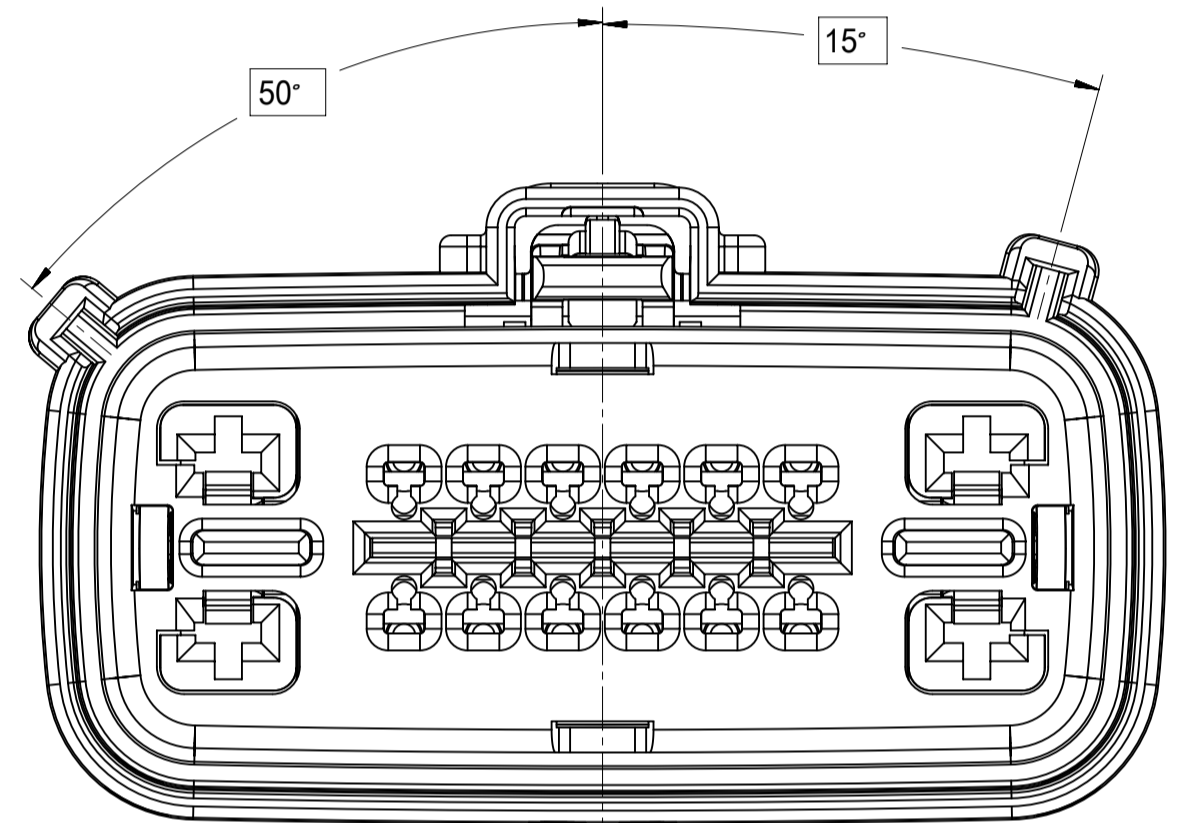
KEY CONFIGURATIONS



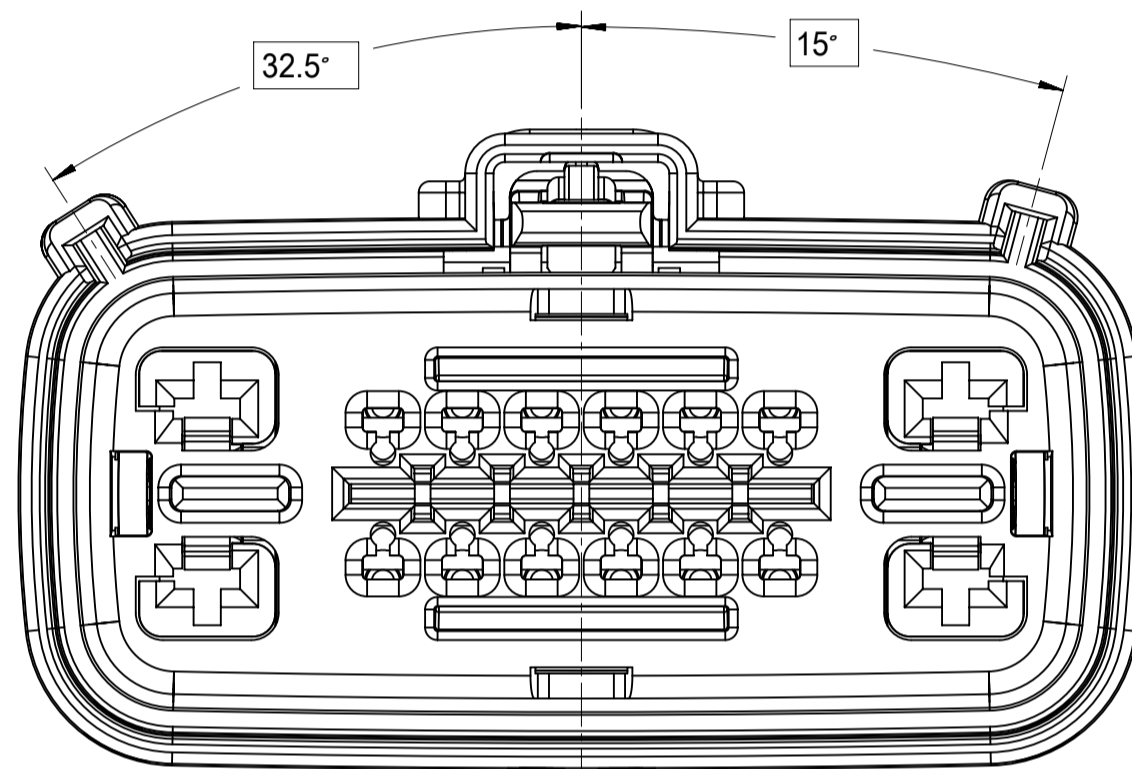
KEY A



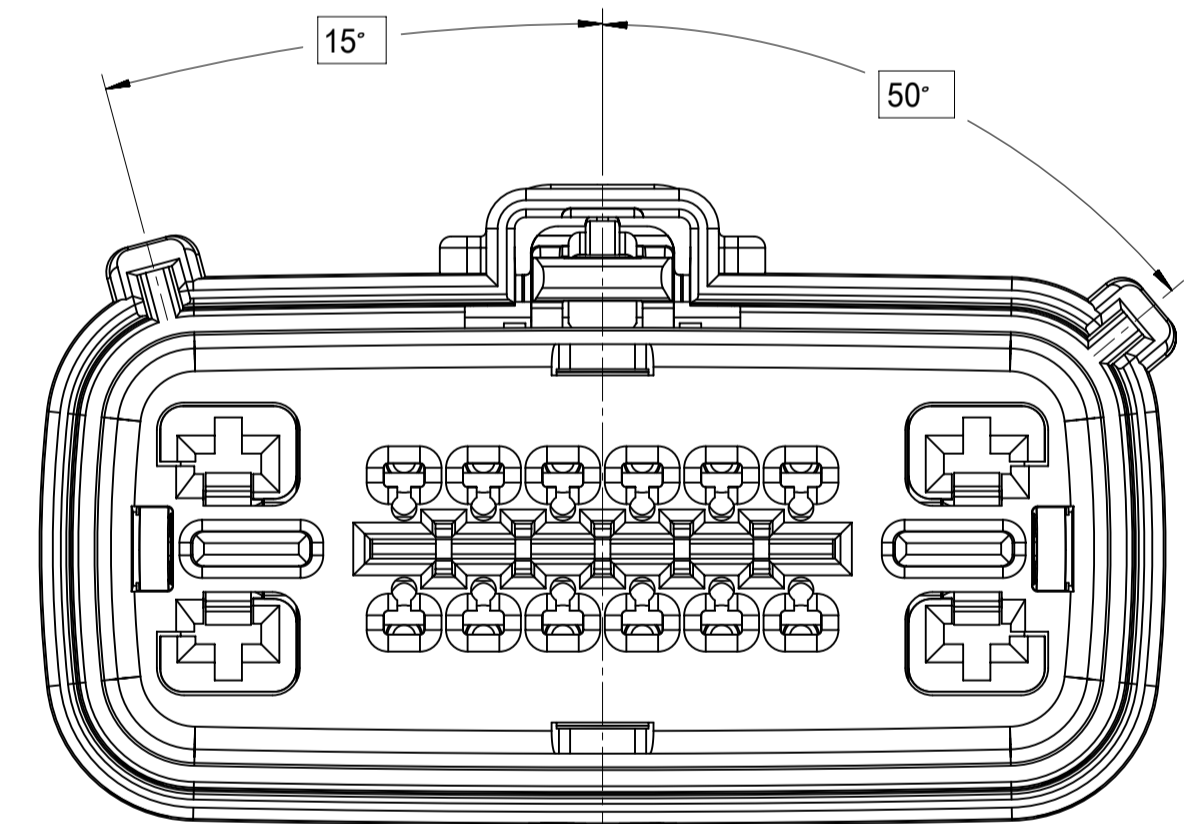
KEY E



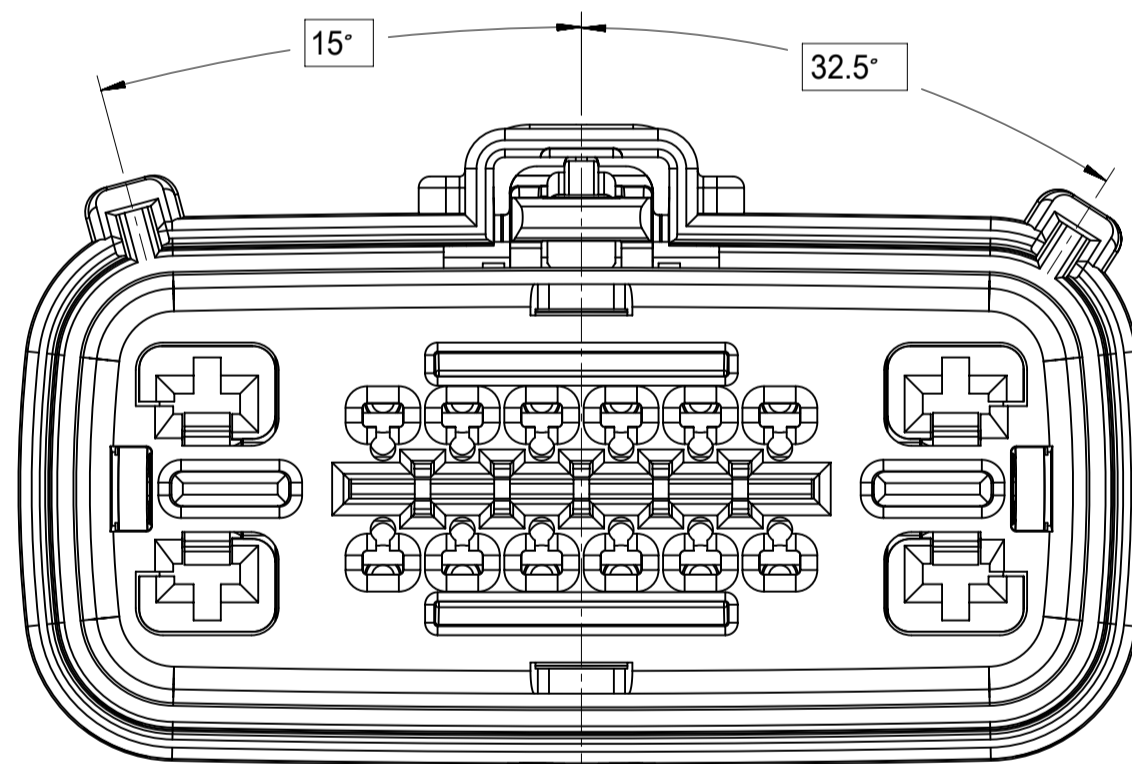
KEY B



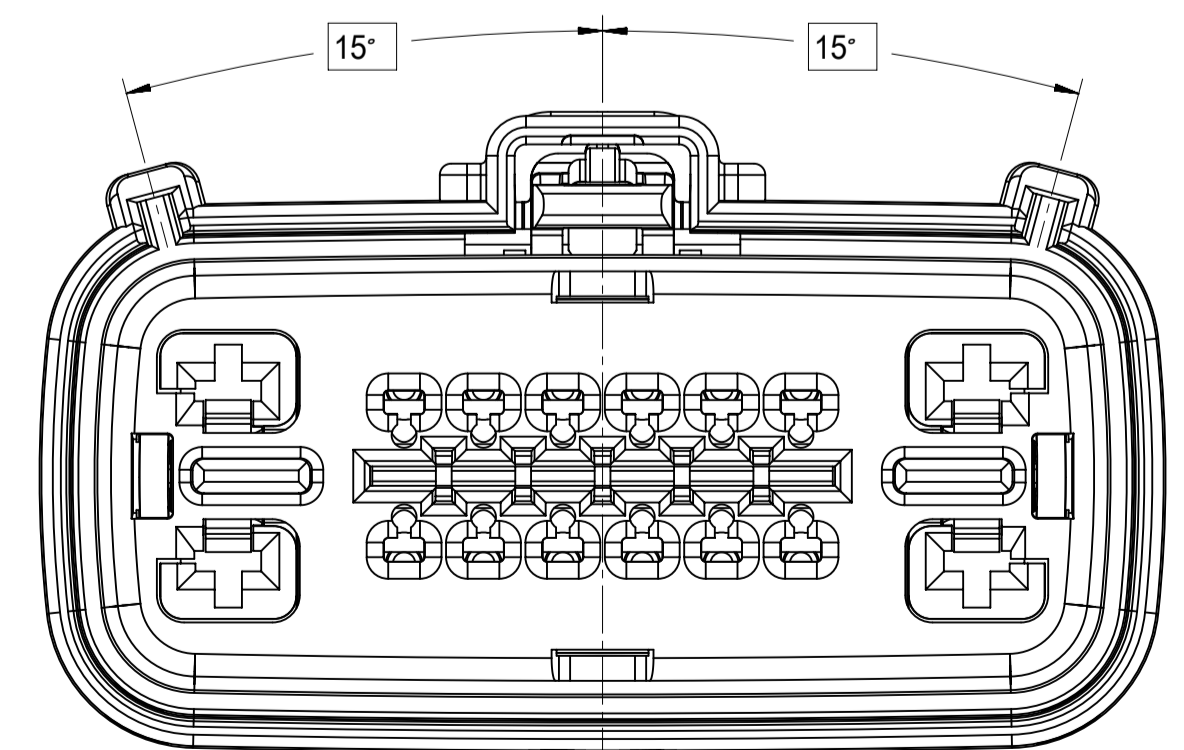
KEY F



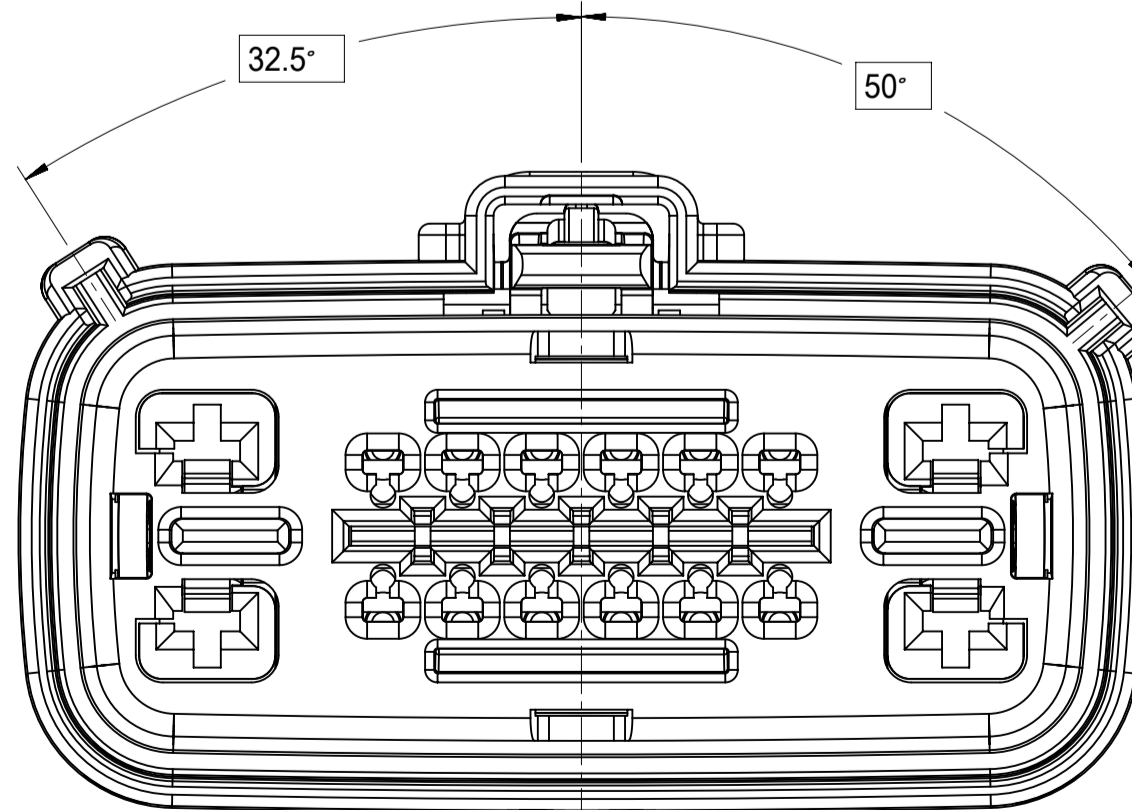
KEY C



KEY G



KEY D

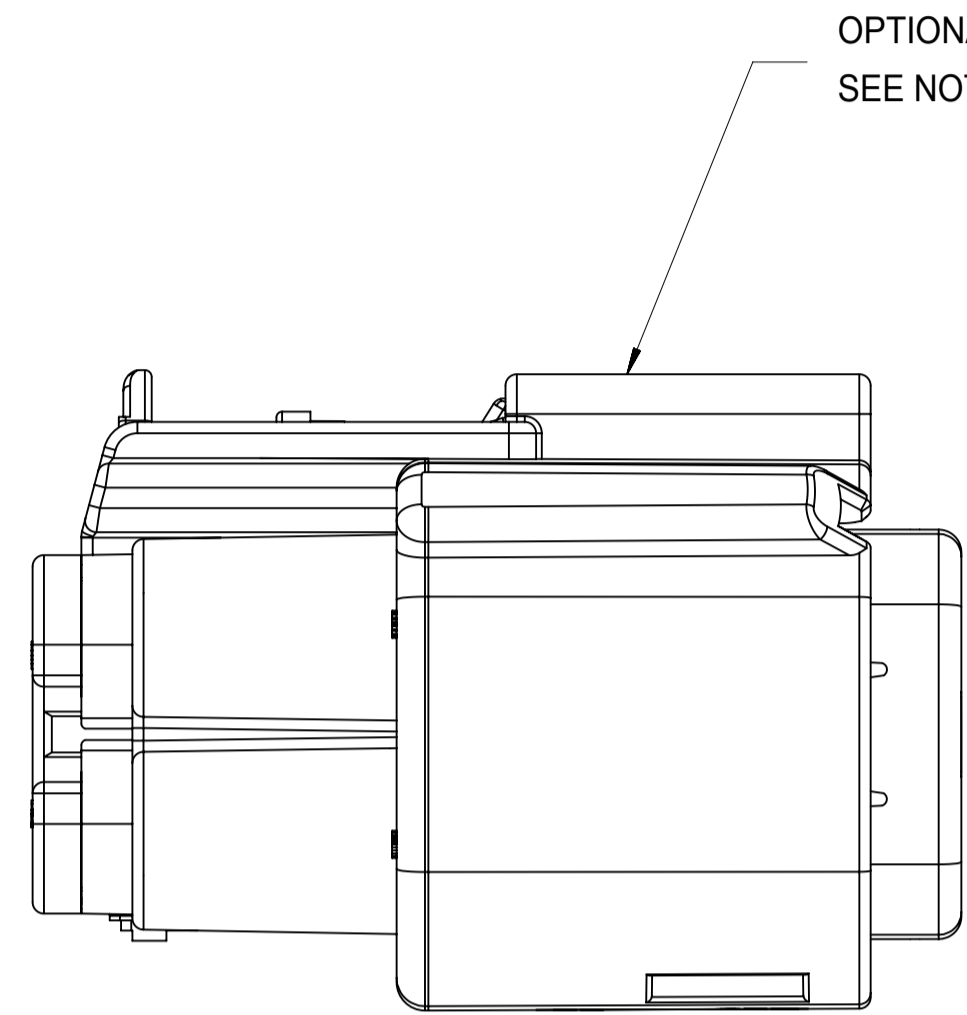


KEY H

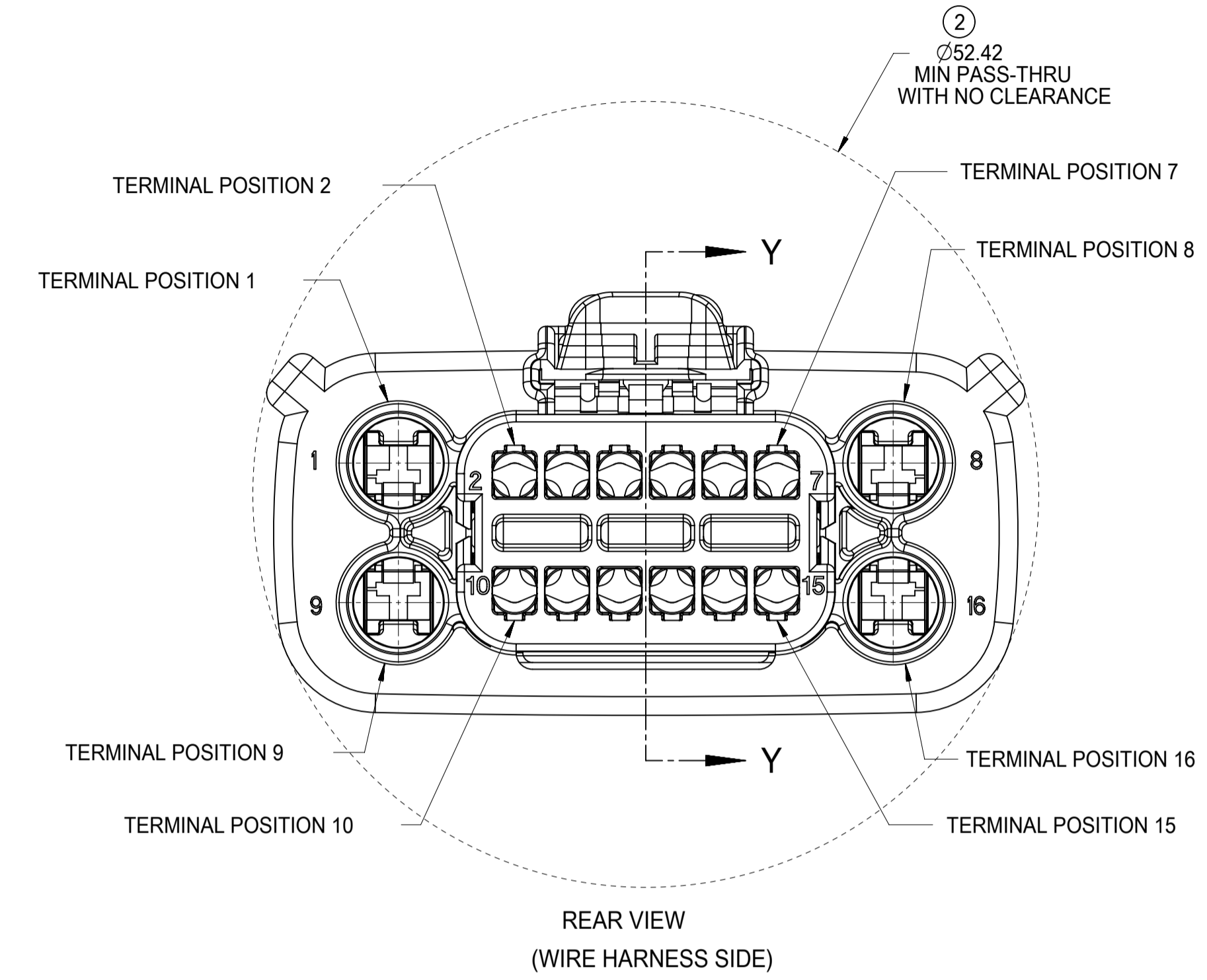
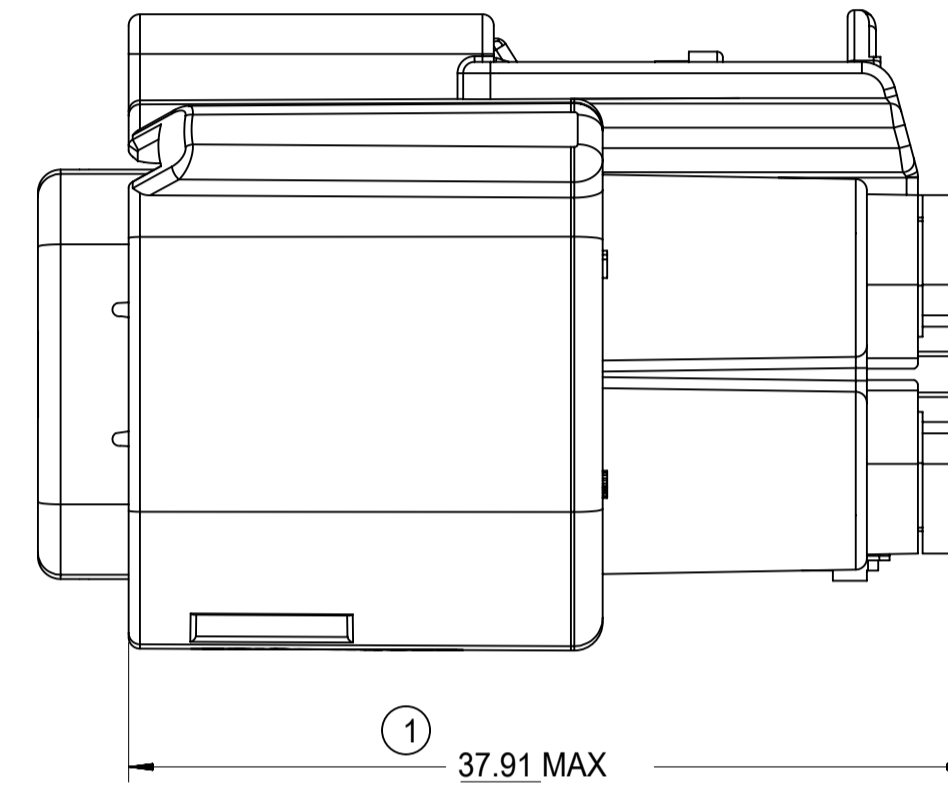
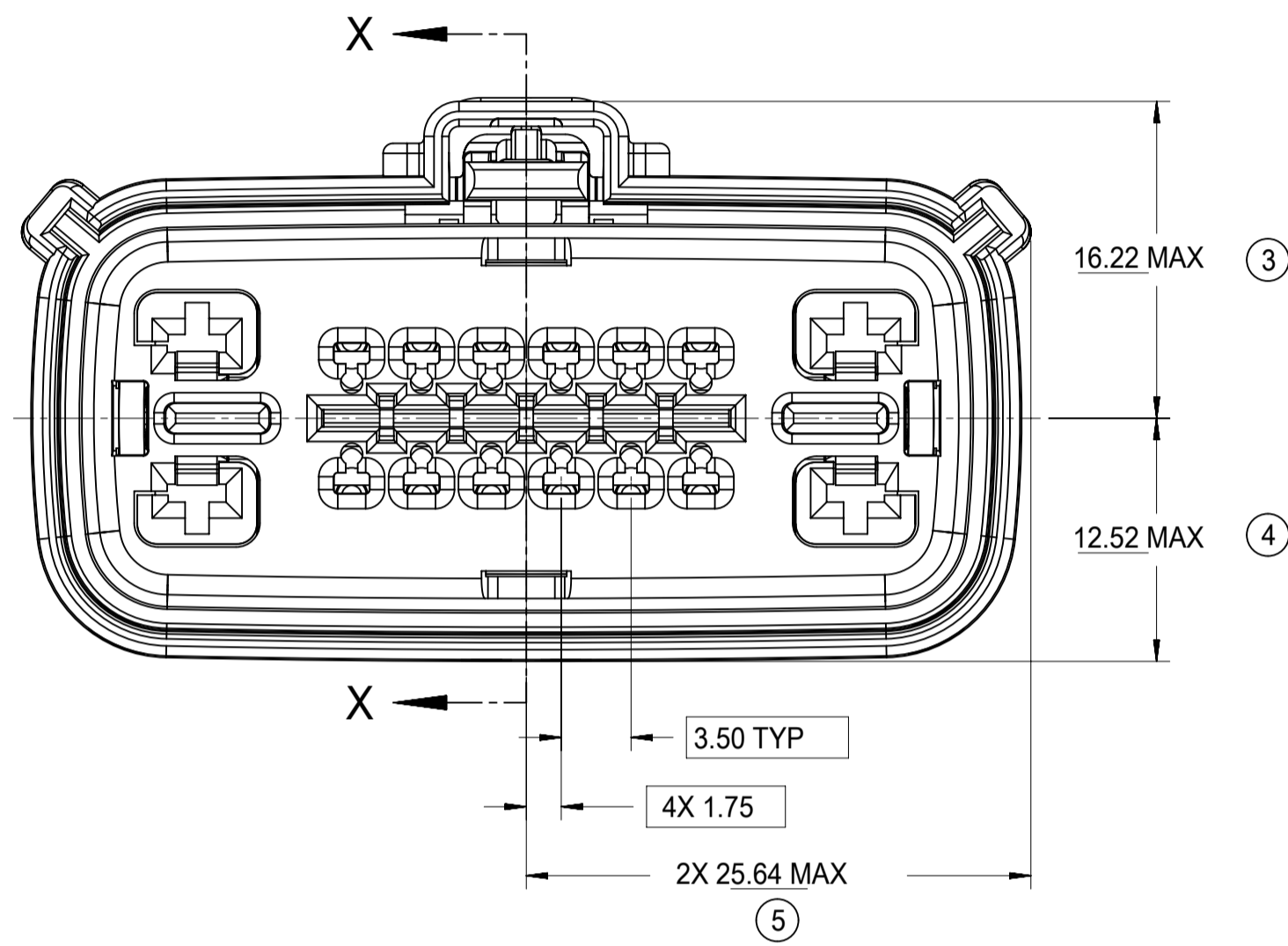
SYMBOLS = 0 = 0 = 0 = 0 = 0 = 0 = 0 = 0 = 0 = 0 = 0	THIS DRAWING CONTAINS INFORMATION THAT IS PROPRIETARY TO MOLEX ELECTRONIC TECHNOLOGIES, LLC AND SHOULD NOT BE USED WITHOUT WRITTEN PERMISSION		CURRENT REV DESC:		
	DIMENSION UNITS mm	SCALE 3:1	EC NO: 619601 DRWN: HKLIANG 2019/07/25 CHK'D: MVANSLAMBROU 2019/08/02 APPR: MVANSLAMBROU 2019/08/02		
GENERAL TOLERANCES (UNLESS SPECIFIED)		ANGULAR TOL ± 3.0°		PRODUCT CUSTOMER DRAWING	
4 PLACES ±		3 PLACES ±		INITIAL REVISION:	
2 PLACES ± 0.1		1 PLACE ± 0.3		DRWN: TYE 2014/09/12 APPR: VKOSHY 2014/09/22	
0 PLACES ±		DRAFT WHERE APPLICABLE MUST REMAIN WITHIN DIMENSIONS		THIRD ANGLE PROJECTION	DRAWING A1-SIZE
				SERIES 34985	MATERIAL NUMBER CUSTOMER GENERAL MARKET
				SHEET NUMBER 3 OF 4	

SHEET DESCRIPTION

RECEPTACLE CONNECTOR ASSEMBLY



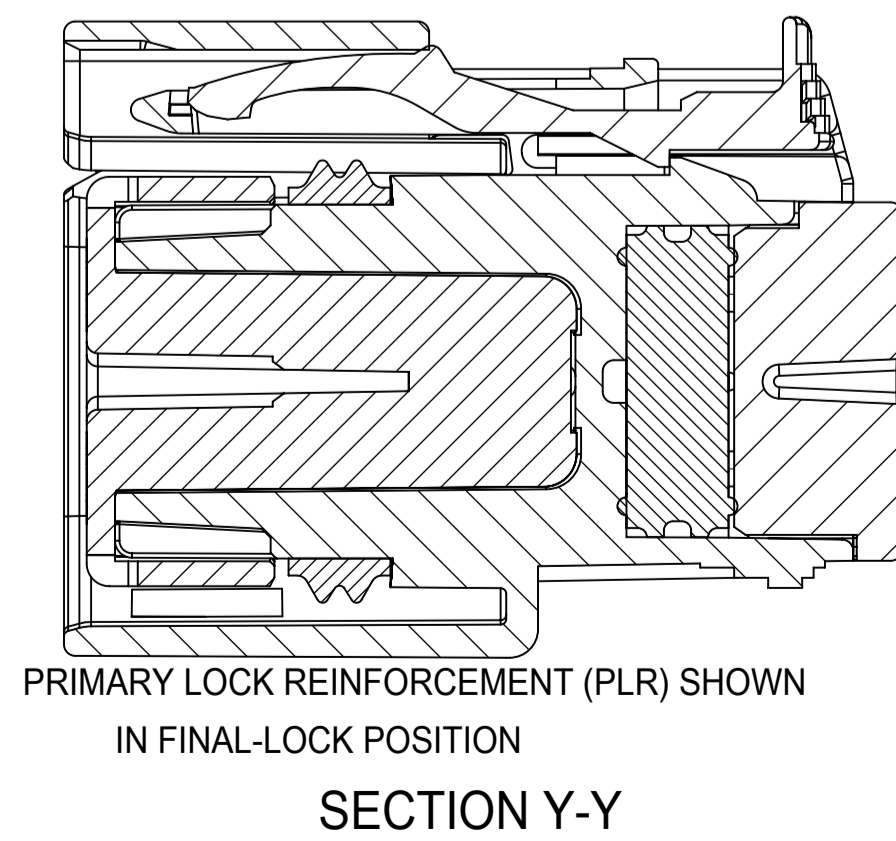
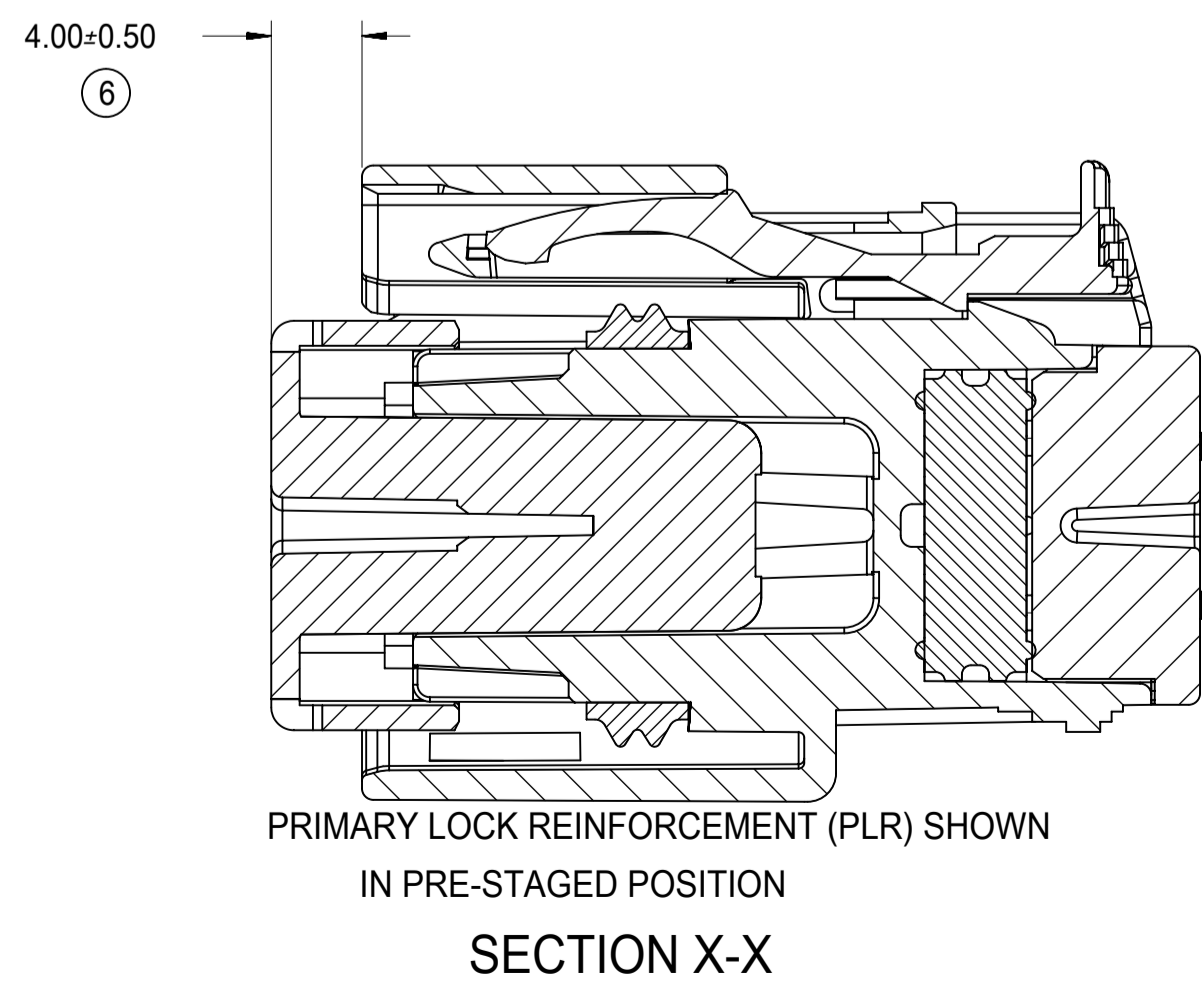
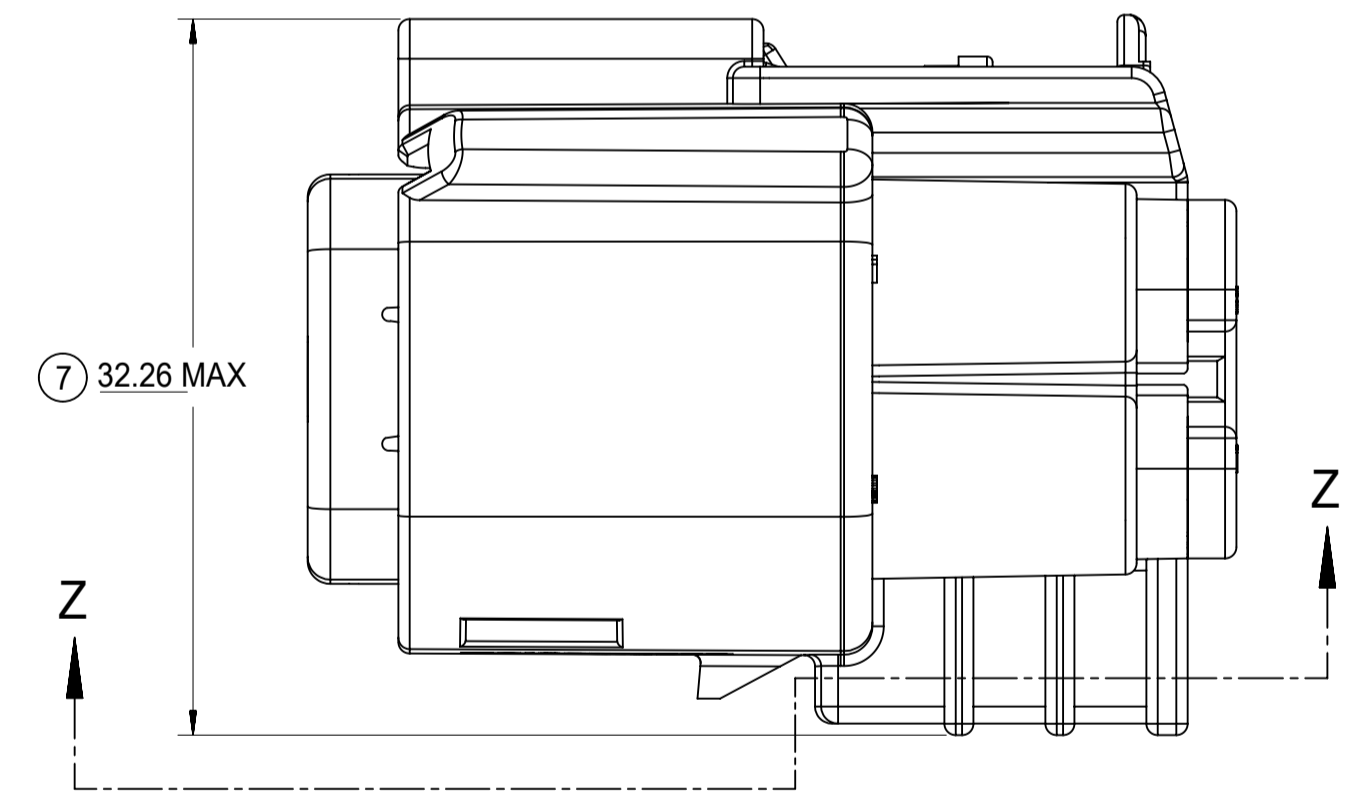
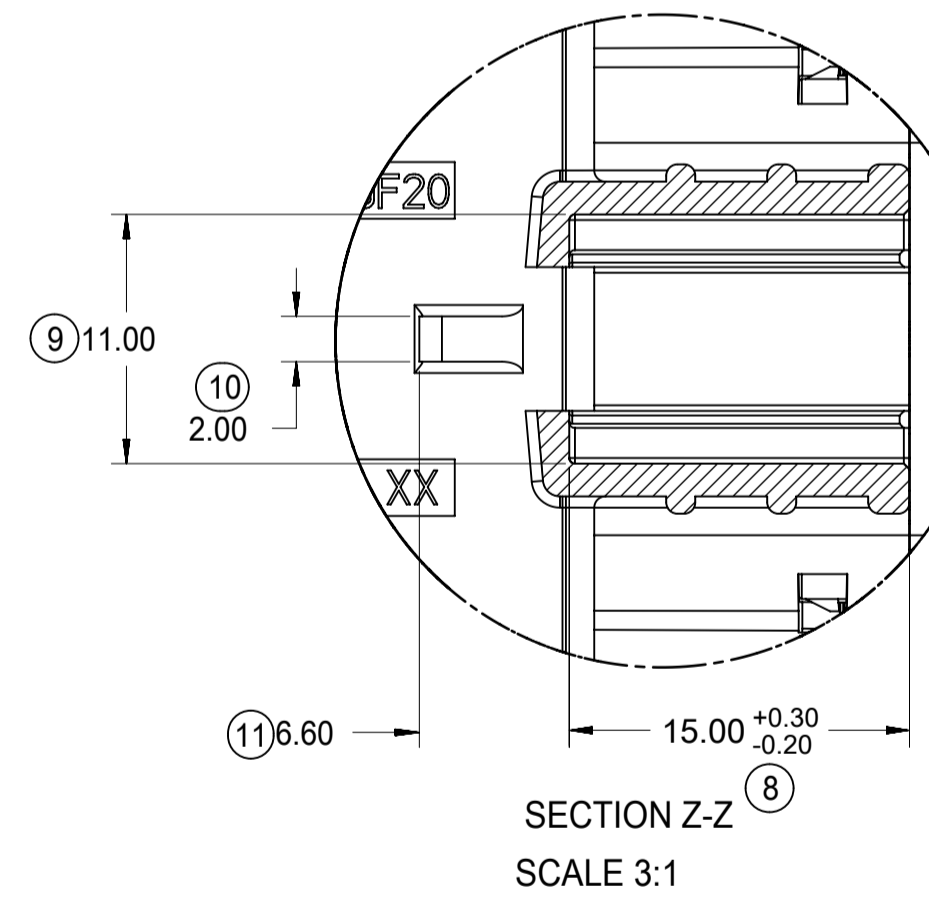
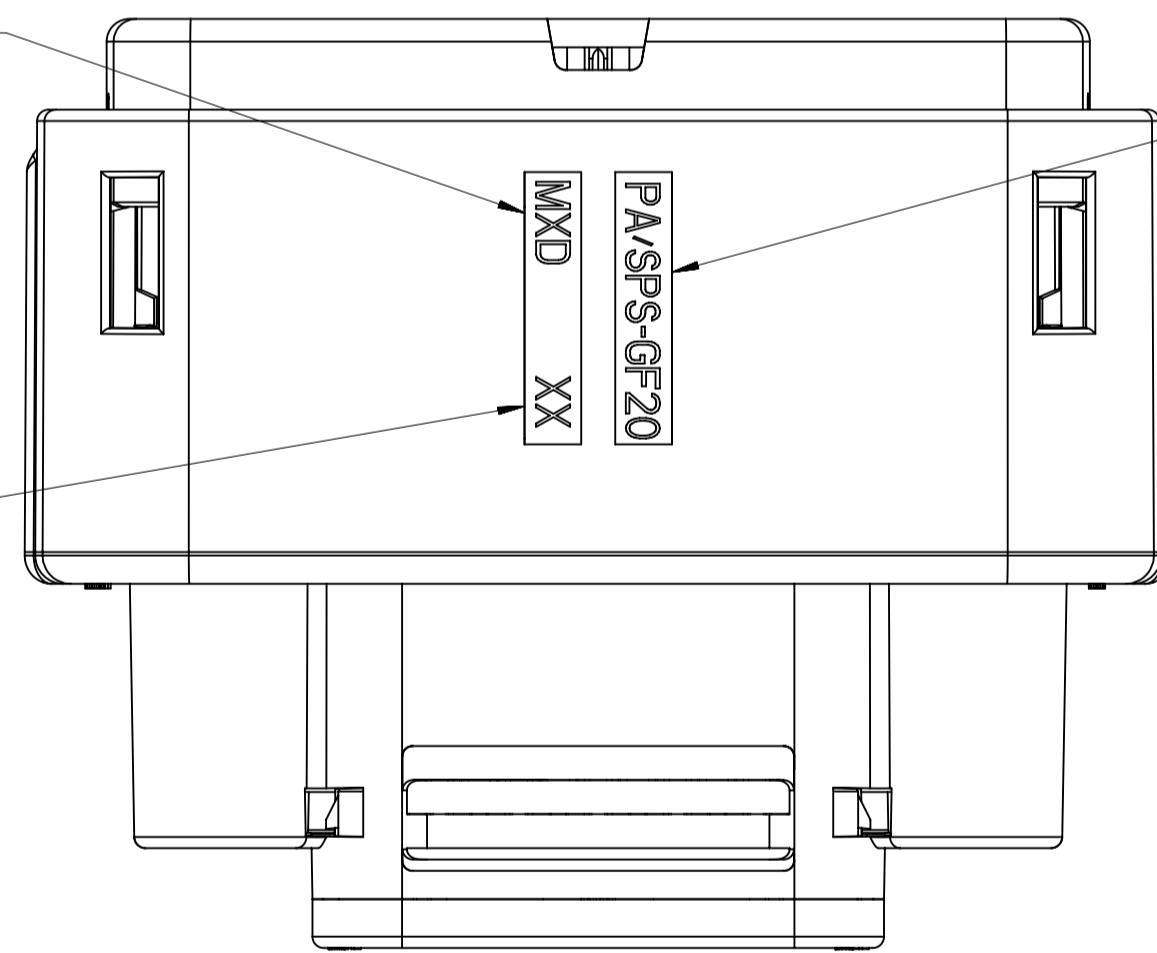
OPTIONAL LASER MARKING ON THIS SURFACE
SEE NOTE 3g.



MANUFACTURING LOCATION
CODE THIS LOCATION

RECYCLE CODE
THIS LOCATION

MOLD CAVITY I.D.
THIS LOCATION



SYMBOLS		THIS DRAWING CONTAINS INFORMATION THAT IS PROPRIETARY TO MOLEX ELECTRONIC TECHNOLOGIES, LLC AND SHOULD NOT BE USED WITHOUT WRITTEN PERMISSION		CURRENT REV DESC:		molex	
▽ = 0	mm	SCALE	3:1	EC NO: 619601		MX150 16 WAY HYBRID RECPT SEALED ASSEMBLY	
▽ = 0	GENERAL TOLERANCES (UNLESS SPECIFIED)			DRWN: HKLIANG 2019/07/25		PRODUCT CUSTOMER DRAWING	
▽ = 0	ANGULAR TOL ± 3.0°			CHK'D: MVANSLAMBROU 2019/08/02		DOCUMENT NUMBER	
▽ = 0	4 PLACES ±			APPR: MVANSLAMBROU 2019/08/02		SD-34985-8001	
▽ = 0	3 PLACES ±			INITIAL REVISION:		DOC TYPE DOC PART REVISION	
▽ = 0	2 PLACES ± 0.1			DRWN: TYE 2014/09/12		PSD 001 D2	
▽ = 0	1 PLACE ± 0.3			APPR: VKOSHY 2014/09/22		MATERIAL NUMBER	
▽ = 0	0 PLACES ±			THIRD ANGLE PROJECTION		CUSTOMER	
▽ = 0	DRAFT WHERE APPLICABLE MUST REMAIN WITHIN DIMENSIONS			DRAWING		GENERAL MARKET	
▽ = 0				SERIES		SHEET NUMBER	
				A1-SIZE 34985		4 OF 4	

MX150 16 WAY HYBRID RECEPTACLE SEALED ASSEMBLY MAT SEAL (WITHOUT CLIPSLOT, 2.8mm CAVITIES OPEN)
BOM AND PIN OUT SHEET

ASSEMBLY DESCRIPTION	ASSEMBLY PART NUMBER	COMPONENT						BLOCKED TERMINALS																STATUS	COMMENTS	OPTIONAL ATTACHMENTS SOLD SEPARATELY			
		THE PRESENCE OF AN ABBREVIATION INDICATES THE PRESENCE OF THAT COMPONENT.						CAVITY WITH A NUMBER INDICATES BLOCKED TERMINAL POSITION CAVITY WITHOUT A NUMBER INDICATES OPEN TERMINAL POSITION																		BACKSHELL WITH RIBS	BACKSHELL WITHOUT RIBS		
		HOUSING KEY/COLOR	GROMMET CAP	PLR	CPA	MAT SEAL	RING SEAL	1	2	3	4	5	6	7	8	9	10	11	12	13	14	15	16						
KEY A, BLACK, W/O CPA	34985-1883	A-BLK	GC	PLR		M	R			3				6				10	11	12	13	14	15	SALEABLE		NOT AVAILABLE	NOT AVAILABLE		
KEY A, BLACK, W/O CPA	34985-1884	A-BLK	GC	PLR		M	R							6				10	11	12	13	14	15	SALEABLE		NOT AVAILABLE	NOT AVAILABLE		
KEY A, BLACK, W/O CPA	34985-1885	A-BLK	GC	PLR		M	R												11	12	13	14	15	SALEABLE		NOT AVAILABLE	NOT AVAILABLE		
KEY B, LIGHT GRAY, W/O CPA	34985-1886	B-LG	GC	PLR		M	R						5								13	14	15	SALEABLE		NOT AVAILABLE	NOT AVAILABLE		
KEY B, LIGHT GRAY, W/O CPA	34985-1887	B-LG	GC	PLR		M	R						5								13	14		SALEABLE		NOT AVAILABLE	NOT AVAILABLE		
KEY A, BLACK, W/O CPA	34985-1888	A-BLK	GC	PLR		M	R		2					7				10	11					SALEABLE		NOT AVAILABLE	NOT AVAILABLE		
KEY A, BLACK, W/O CPA	34985-1889	A-BLK	GC	PLR		M	R		2					7							13		15	SALEABLE		NOT AVAILABLE	NOT AVAILABLE		
KEY A, BLACK, W/O CPA	34985-1890	A-BLK	GC	PLR		M	R				3			6	7						13			SALEABLE		NOT AVAILABLE	NOT AVAILABLE		
KEY A, BLACK, W/O CPA	34985-1901	A-BLK	GC	PLR		M	R			2				7						12	13	14	15	SALEABLE		NOT AVAILABLE	NOT AVAILABLE		
KEY A, BLACK, W/O CPA	34985-1902	A-BLK	GC	PLR		M	R							7						12	13	14	15	SALEABLE		NOT AVAILABLE	NOT AVAILABLE		
KEY A, BLACK, W/O CPA	34985-1903	A-BLK	GC	PLR		M	R				3			5	6					11			15	SALEABLE		NOT AVAILABLE	NOT AVAILABLE		
KEY A, BLACK, W/O CPA	34985-1904	A-BLK	GC	PLR		M	R							6								14		SALEABLE		NOT AVAILABLE	NOT AVAILABLE		
KEY A, BLACK, W/O CPA	34985-1905	A-BLK	GC	PLR		M	R		2			4	5	6	7			10	11	12		14	15	SALEABLE		NOT AVAILABLE	NOT AVAILABLE		
KEY A, BLACK, W/O CPA	34985-1906	A-BLK	GC	PLR		M	R		2	3													15	SALEABLE		NOT AVAILABLE	NOT AVAILABLE		
KEY A, BLACK, W/O CPA	34985-1907	A-BLK	GC	PLR		M	R		2			4						10	11		13		15	SALEABLE		NOT AVAILABLE	NOT AVAILABLE		
KEY A, BLACK, W/O CPA	34985-1908	A-BLK	GC	PLR		M	R		2	3			5				10	11		13		15	SALEABLE		NOT AVAILABLE	NOT AVAILABLE			
KEY A, BLACK, W/O CPA	34985-1915	A-BLK	GC	PLR		M	R				3			6						11	12	13	14	SALEABLE		NOT AVAILABLE	NOT AVAILABLE		
KEY A, BLACK, W/O CPA	34985-1916	A-BLK	GC	PLR		M	R							6							12	13	14	SALEABLE		NOT AVAILABLE	NOT AVAILABLE		
KEY A, BLACK, W/O CPA	34985-1918	A-BLK	GC	PLR		M	R		2			4											15	SALEABLE		NOT AVAILABLE	NOT AVAILABLE		
KEY A, BLACK, W/O CPA	34985-1924	A-BLK	GC	PLR		M	R							5	6	7								SALEABLE		NOT AVAILABLE	NOT AVAILABLE		
KEY A, BLACK, W/O CPA	34985-1925	A-BLK	GC	PLR		M	R				3	4	5					10	11	12	13	14	15	SALEABLE		NOT AVAILABLE	NOT AVAILABLE		
KEY A, BLACK, W/O CPA	34985-1926	A-BLK	GC	PLR		M	R						5					10	11	12	13	14	15	SALEABLE		NOT AVAILABLE	NOT AVAILABLE		
KEY A, BLACK, W/O CPA	34985-1927	A-BLK	GC	PLR		M	R											10	11	12	13	14	15	SALEABLE		NOT AVAILABLE	NOT AVAILABLE		
KEY A, BLACK, W/O CPA	34985-1928	A-BLK	GC	PLR		M	R							6	7									SALEABLE		NOT AVAILABLE	NOT AVAILABLE		
KEY A, BLACK, W/O CPA	34985-1929	A-BLK	GC	PLR		M	R				3	4	5	6	7									SALEABLE		NOT AVAILABLE	NOT AVAILABLE		
KEY A, BLACK, W/O CPA	34985-1930	A-BLK	GC	PLR		M	R				3			6				10			13			SALEABLE		NOT AVAILABLE	NOT AVAILABLE		
KEY A, BLACK, W/O CPA	34985-1931	A-BLK	GC	PLR		M	R				3			6							13		15	SALEABLE		NOT AVAILABLE	NOT AVAILABLE		
KEY B, LIGHT GRAY, W/O CPA	34985-1932	B-LG	GC	PLR		M	R							6				10	11	12	13	14		SALEABLE		NOT AVAILABLE	NOT AVAILABLE		
KEY A, BLACK, W/O CPA	34985-1933	A-BLK	GC	PLR		M	R				2	3	4	5	6					10	11	12	13	14	15	SALEABLE		NOT AVAILABLE	NOT AVAILABLE
KEY A, BLACK, W/O CPA	34985-1934	A-BLK	GC	PLR		M	R				2	3			6	7					11			SALEABLE		NOT AVAILABLE	NOT AVAILABLE		
KEY A, BLACK, W/O CPA	34985-1936	A-BLK	GC	PLR		M	R							6							11	12	13	14	SALEABLE		NOT AVAILABLE	NOT AVAILABLE	
KEY A, BLACK, W/O CPA	34985-1937	A-BLK	GC	PLR		M	R							6							11	12	13	14	SALEABLE		NOT AVAILABLE	NOT AVAILABLE	
KEY A, BLACK, W/CPA	34985-1938	A-BLK	GC	PLR	CPA	M	R		2	3	4	5	6	7			10	11	12	13	14	15		SALEABLE		NOT AVAILABLE	NOT AVAILABLE		
KEY A, BLACK, W/CPA	34985-1939	A-BLK	GC	PLR	CPA	M	R		2	3	4	5	6	7							12	13	14	15	SALEABLE		NOT AVAILABLE	NOT AVAILABLE	
KEY A, BLACK, W/O CPA	34985-1940	A-BLK	GC	PLR		M	R															13	14	15	SALEABLE		NOT AVAILABLE	NOT AVAILABLE	
KEY A, BLACK, W/O CPA	34985-1941	A-BLK	GC	PLR		M	R							6							11	12	13	14	15	SALEABLE		NOT AVAILABLE	NOT AVAILABLE
KEY A, BLACK, W/O CPA	34985-1942	A-BLK	GC	PLR		M	R		2					6	7						11	12	13	15	SALEABLE		NOT AVAILABLE	NOT AVAILABLE	
KEY A, BLACK, W/O CPA	34985-1943	A-BLK	GC	PLR		M	R		2				5	6	7						11	12	13		SALEABLE		NOT AVAILABLE	NOT AVAILABLE	
KEY A, BLACK, W/O CPA	34985-1944	A-BLK	GC	PLR		M	R		2									10	11	12			15	SALEABLE		NOT AVAILABLE	NOT AVAILABLE		
KEY A, BLACK, W/O CPA	34985-1946	A-BLK	GC	PLR		M	R							6									14	15	SALEABLE		NOT AVAILABLE	NOT AVAILABLE	
KEY A, BLACK, W/O CPA	34985-1947	A-BLK	GC	PLR		M	R							6									14	15	SALEABLE		NOT AVAILABLE	NOT AVAILABLE	
KEY B, LIGHT GRAY, W/O CPA	34985-1949	B-LG	GC	PLR		M	R				3	4	5					10	11	12	13	14	15	SALEABLE		NOT AVAILABLE	NOT AVAILABLE		
KEY B, LIGHT GRAY, W/O CPA	34985-1950	B-LG	GC	PLR		M	R				3	4	5	6	7										SALEABLE		NOT AVAILABLE	NOT AVAILABLE	
KEY B, LIGHT GRAY, W/O CPA	34985-1951	B-LG	GC	PLR		M	R						5	6	7										SALEABLE		NOT AVAILABLE	NOT AVAILABLE	
KEY B, LIGHT GRAY, W/O CPA	34985-1952	B-LG	GC	PLR		M	R							5				10	11	12	13	14	15	SALEABLE		NOT AVAILABLE	NOT AVAILABLE		
KEY A, BLACK, W/O CPA	34985-1956	A-BLK	GC	PLR		M	R							6								13	14	15	SALEABLE		NOT AVAILABLE	NOT AVAILABLE	
KEY A, BLACK, W/O CPA	34985-1957	A-BLK	GC	PLR		M	R							6							12	13	14	15	SALEABLE		NOT AVAILABLE	NOT AVAILABLE	
KEY A, BLACK, W/CPA	34985-1960	A-BLK	GC	PLR	CPA	M	R														11				SALEABLE		NOT AVAILABLE	NOT AVAILABLE	
KEY A, BLACK, W/CPA	34985-1961	A-BLK	GC	PLR	CPA	M	R							6	7										SALEABLE		NOT AVAILABLE	NOT AVAILABLE	
KEY A, BLACK, W/CPA	34985-1962	A-BLK	GC	PLR	CPA	M	R					3						10							SALEABLE		NOT AVAILABLE	NOT AVAILABLE	
KEY A, BLACK, W/CPA	34985-1963	A-BLK	GC	PLR	CPA	M	R		2	3								10							SALEABLE		NOT AVAILABLE	NOT AVAILABLE	
KEY A, BLACK, W/CPA	34985-1964	A-BLK	GC	PLR	CPA	M	R							6	7						11				SALEABLE		NOT AVAILABLE	NOT AVAILABLE	
KEY A, BLACK, W/CPA	34985-1965	A-BLK	GC	PLR	CPA	M	R						5	6	7							13	14	15	SALEABLE		NOT AVAILABLE	NOT AVAILABLE	
KEY A, BLACK, W/CPA	34985-1966	A-BLK	GC	PLR	CPA	M	R		2					5	6	7				10					SALEABLE		NOT AVAILABLE	NOT AVAILABLE	
KEY A, BLACK, W/CPA	34985-1967	A-BLK	GC	PLR	CPA	M	R		2	3	4	5	6	7							11	12	13	14	15	SALEABLE		NOT AVAILABLE	NOT AVAILABLE
KEY A, BLACK, W/CPA	34985-1968	A-BLK	GC	PLR	CPA	M	R		2	3	4	5									11	12	13	14	15	SALEABLE		NOT AVAILABLE	NOT AVAILABLE
KEY A, BLACK, W/CPA	34985-1969	A-BLK	GC	PLR	CPA	M	R		2	3	4	5										12	13	14	15	SALEABLE		NOT AVAILABLE	NOT AVAILABLE
KEY A, BLACK, W/O CPA	34985-1970	A-BLK	GC	PLR		M	R		2												10	11		15	SALEABLE		NOT AVAILABLE	NOT AVAILABLE	
KEY A, BLACK, W/O CPA	34985-1971	A-BLK	GC	PLR		M	R				3	4									10	11		15	SALEABLE		NOT AVAILABLE	NOT AVAILABLE	
KEY A, BLACK, W/O CPA	34985-1972	A-BLK	GC	PLR		M	R															13	14	15	SALEABLE		NOT AVAILABLE	NOT AVAILABLE	
KEY A, BLACK, W/O CPA	34985-1973	A-BLK	GC	PLR		M	R															12	13	14	15	SALEABLE		NOT AVAILABLE	NOT AVAILABLE
KEY A, BLACK, W/CPA	34985-1974	A-BLK	GC	PLR	CPA	M	R															12			SALEABLE		NOT AVAILABLE	NOT AVAILABLE	
KEY A, BLACK, W/CPA	34985-1975	A-BLK	GC	PLR	CPA	M	R		2			4										12			SALEABLE		NOT AVAILABLE	NOT AVAILABLE	
KEY A, BLACK, W/CPA	34985-1976	A-BLK	GC	PLR	CPA	M	R						5					10				12			SALEABLE		NOT AVAILABLE	NOT AVAILABLE	
KEY A, BLACK, W/O CPA	34985-1979	A-BLK	GC	PLR		M	R					3	4		6	7						13	14	15	SALEABLE		NOT AVAILABLE	NOT AVAILABLE	
KEY A, BLACK, W/O CPA	34985-1980	A-BLK	GC	PLR		M	R															11		15	SALEABLE		NOT AVAILABLE	NOT AVAILABLE	
KEY A, BLACK, W/CPA	34985-1984	A-BLK	GC	PLR	CPA	M	R																13	14	15	SALEABLE		NOT AVAILABLE	NOT AVAILABLE
KEY B, LIGHT GRAY, W/O CPA	34985-1985	B-LG	GC	PLR		M	R							6	7										SALEABLE		NOT AVAILABLE	NOT AVAILABLE	
KEY B, LIGHT GRAY, W/O CPA	34985																												

MX150 16 WAY HYBRID RECEPTACLE SEALED ASSEMBLY MAT SEAL (WITHOUT CLIPSLOT, 2.8mm CAVITIES OPEN)
BOM AND PIN OUT SHEET

ASSEMBLY DESCRIPTION	ASSEMBLY PART NUMBER	COMPONENT							BLOCKED TERMINALS																STATUS	COMMENTS	OPTIONAL ATTACHMENTS SOLD SEPARATELY								
		THE PRESENCE OF AN ABBREVIATION INDICATES THE PRESENCE OF THAT COMPONENT.							CAVITY WITH A NUMBER INDICATES BLOCKED TERMINAL POSITION CAVITY WITHOUT A NUMBER INDICATES OPEN TERMINAL POSITION																		BACKSHELL WITH RIBS	BACKSHELL WITHOUT RIBS							
		HOUSING KEY/COLOR	GROMMET CAP	PLR	CPA	MAT SEAL	RING SEAL	1	2	3	4	5	6	7	8	9	10	11	12	13	14	15	16												
KEY H, YELLOW, W/ SHRT BAR, W/CPA	34985-2012	H-YW	GC	PLR-SB	CPA	M	R		2	3					6	7					10	11				14	15	SALEABLE		NOT AVAILABLE	NOT AVAILABLE				
KEY A, BLACK, W/O CPA	34985-2014	A-BLK	GC	PLR		M	R															10	11						SALEABLE		NOT AVAILABLE	NOT AVAILABLE			
KEY A, BLACK, W/CPA	34985-2015	A-BLK	GC	PLR	CPA	M	R					2										10	11	12	13	14			SALEABLE		NOT AVAILABLE	NOT AVAILABLE			
KEY A, BLACK, W/CPA	34985-2016	A-BLK	GC	PLR	CPA	M	R					2										10	11	12	13				SALEABLE		NOT AVAILABLE	NOT AVAILABLE			
KEY A, BLACK, W/CPA	34985-2017	A-BLK	GC	PLR	CPA	M	R					2										10	11						SALEABLE		NOT AVAILABLE	NOT AVAILABLE			
KEY A, BLACK, W/CPA	34985-2018	A-BLK	GC	PLR	CPA	M	R															10	11	12	13				SALEABLE		NOT AVAILABLE	NOT AVAILABLE			
KEY A, BLACK, W/O CPA	34985-2019	A-BLK	GC	PLR		M	R															10	11	12	13	14			SALEABLE		NOT AVAILABLE	NOT AVAILABLE			
KEY A, BLACK, W/O CPA	34985-2020	A-BLK	GC	PLR		M	R															10	11	12	13	14			SALEABLE		NOT AVAILABLE	NOT AVAILABLE			
KEY A, BLACK, W/O CPA	34985-2021	A-BLK	GC	PLR		M	R															10	11			14			SALEABLE		NOT AVAILABLE	NOT AVAILABLE			
KEY A, BLACK, W/O CPA	34985-2022	A-BLK	GC	PLR		M	R															10	11	12	13	14	15		SALEABLE		NOT AVAILABLE	NOT AVAILABLE			
KEY A, BLACK, W/O CPA	34985-2023	A-BLK	GC	PLR		M	R					2	3	4	5	6						10	11	12	13	14	15		SALEABLE		NOT AVAILABLE	NOT AVAILABLE			
KEY A, BLACK, W/O CPA	34985-2024	A-BLK	GC	PLR		M	R															10	11	12	13	14	15		SALEABLE		NOT AVAILABLE	NOT AVAILABLE			
KEY A, BLACK, W/O CPA	34985-2025	A-BLK	GC	PLR		M	R															10	11		13	14	15		SALEABLE		NOT AVAILABLE	NOT AVAILABLE			
KEY A, BLACK, W/O CPA	34985-2026	A-BLK	GC	PLR		M	R					2										10		12	13				SALEABLE		NOT AVAILABLE	NOT AVAILABLE			
KEY A, BLACK, W/O CPA	34985-2027	A-BLK	GC	PLR		M	R					2	3	4								10	11	12	13	14	15		SALEABLE		NOT AVAILABLE	NOT AVAILABLE			
KEY A, BLACK, W/O CPA	34985-2028	A-BLK	GC	PLR		M	R					2										10	11	12	13	14	15		SALEABLE		NOT AVAILABLE	NOT AVAILABLE			
KEY A, BLACK, W/O CPA	34985-2030	A-BLK	GC	PLR		M	R					2	3									10							SALEABLE		NOT AVAILABLE	NOT AVAILABLE			
KEY A, BLACK, W/CPA	34985-2031	A-BLK	GC	PLR	CPA	M	R															10							SALEABLE		NOT AVAILABLE	NOT AVAILABLE			
KEY A, BLACK, W/O CPA	34985-2032	A-BLK	GC	PLR		M	R																		13				SALEABLE		NOT AVAILABLE	NOT AVAILABLE			
KEY A, BLACK, W/O CPA	34985-2033	A-BLK	GC	PLR		M	R															10	11	12	13	14	15		SALEABLE		NOT AVAILABLE	NOT AVAILABLE			
KEY A, BLACK, W/O CPA	34985-2035	A-BLK	GC	PLR		M	R					2				5	6					10	11	12	13		15		SALEABLE		NOT AVAILABLE	NOT AVAILABLE			
KEY A, BLACK, W/O CPA	34985-2036	A-BLK	GC	PLR		M	R					2										10	11	12	13	14	15		SALEABLE		NOT AVAILABLE	NOT AVAILABLE			
KEY A, BLACK, W/CPA	34985-2038	A-BLK	GC	PLR	CPA	M	R					2				5	6					10				14	15		SALEABLE		NOT AVAILABLE	NOT AVAILABLE			
KEY A, BLACK, W/CPA	34985-2039	A-BLK	GC	PLR	CPA	M	R									5	6									14	15		SALEABLE		NOT AVAILABLE	NOT AVAILABLE			
KEY A, BLACK, W/O CPA	34985-2040	A-BLK	GC	PLR		M	R																	11	13	14			SALEABLE		NOT AVAILABLE	NOT AVAILABLE			
KEY A, BLACK, W/O CPA	34985-2041	A-BLK	GC	PLR		M	R					2										10		12		14	15		SALEABLE		NOT AVAILABLE	NOT AVAILABLE			
KEY A, BLACK, W/O CPA	34985-2042	A-BLK	GC	PLR		M	R																				15		SALEABLE		NOT AVAILABLE	NOT AVAILABLE			
KEY A, BLACK, W/O CPA	34985-2043	A-BLK	GC	PLR		M	R																		13		15		SALEABLE		NOT AVAILABLE	NOT AVAILABLE			
KEY A, BLACK, W/O CPA	34985-2044	A-BLK	GC	PLR		M	R																			13		15		SALEABLE		NOT AVAILABLE	NOT AVAILABLE		
KEY A, BLACK, W/O CPA	34985-2046	A-BLK	GC	PLR		M	R																			13			SALEABLE		NOT AVAILABLE	NOT AVAILABLE			
KEY A, BLACK, W/O CPA	34985-2047	A-BLK	GC	PLR		M	R					2										10	11	12	13				SALEABLE		NOT AVAILABLE	NOT AVAILABLE			
KEY A, BLACK, W/O CPA	34985-2048	A-BLK	GC	PLR		M	R																			14			SALEABLE		NOT AVAILABLE	NOT AVAILABLE			
KEY A, BLACK, W/O CPA	34985-2049	A-BLK	GC	PLR		M	R															10	11			14			SALEABLE		NOT AVAILABLE	NOT AVAILABLE			
KEY B, LIGHT GRAY, W/O CPA	34985-2051	B-LG	GC	PLR		M	R															10	11	12	13	14	15		SALEABLE		NOT AVAILABLE	NOT AVAILABLE			
KEY A, BLACK, W/O CPA	34985-2052	A-BLK	GC	PLR		M	R					2										10		11	12	13	14		SALEABLE		NOT AVAILABLE	NOT AVAILABLE			
KEY A, BLACK, W/O CPA	34985-2053	A-BLK	GC	PLR		M	R																				15		SALEABLE		NOT AVAILABLE	NOT AVAILABLE			
KEY A, BLACK, W/O CPA	34985-2054	A-BLK	GC	PLR		M	R																				15		SALEABLE		NOT AVAILABLE	NOT AVAILABLE			
KEY A, BLACK, W/O CPA	34985-2060	A-BLK	GC	PLR		M	R																			14	15		SALEABLE		NOT AVAILABLE	NOT AVAILABLE			
KEY A, BLACK, W/O CPA	34985-2061	A-BLK	GC	PLR		M	R																			14			SALEABLE		NOT AVAILABLE	NOT AVAILABLE			
KEY A, BLACK, W/CPA	34985-2062	A-BLK	GC	PLR	CPA	M	R																			14			SALEABLE		NOT AVAILABLE	NOT AVAILABLE			
KEY A, BLACK, W/CPA	34985-2063	A-BLK	GC	PLR	CPA	M	R																			14			SALEABLE		NOT AVAILABLE	NOT AVAILABLE			
KEY A, BLACK, W/O CPA	34985-2067	A-BLK	GC	PLR		M	R					2												11		14	15		SALEABLE		NOT AVAILABLE	NOT AVAILABLE			
KEY A, BLACK, W/O CPA	34985-2068	A-BLK	GC	PLR		M	R																		12				SALEABLE		NOT AVAILABLE	NOT AVAILABLE			
KEY A, BLACK, W/O CPA	34985-2069	A-BLK	GC	PLR		M	R																				15		SALEABLE		NOT AVAILABLE	NOT AVAILABLE			
KEY A, BLACK, W/O CPA	34985-2073	A-BLK	GC	PLR		M	R																				15		SALEABLE		NOT AVAILABLE	NOT AVAILABLE			
KEY A, BLACK, W/CPA	34985-2074	A-BLK	GC	PLR	CPA	M	R																						SALEABLE		NOT AVAILABLE	NOT AVAILABLE			
KEY A, BLACK, W/O CPA	34985-2075	A-BLK	GC	PLR		M	R																			14			SALEABLE		NOT AVAILABLE	NOT AVAILABLE			
KEY A, BLACK, W/O CPA	34985-2076	A-BLK	GC	PLR		M	R																			14	15		SALEABLE		NOT AVAILABLE	NOT AVAILABLE			
KEY A, BLACK, W/O CPA	34985-2077	A-BLK	GC	PLR		M	R					2														13	15		SALEABLE		NOT AVAILABLE	NOT AVAILABLE			
KEY A, BLACK, W/O CPA	34985-2078	A-BLK	GC	PLR		M	R																				15		SALEABLE		NOT AVAILABLE	NOT AVAILABLE			
KEY A, BLACK, W/O CPA	34985-2079	A-BLK	GC	PLR		M	R																				15		SALEABLE		NOT AVAILABLE	NOT AVAILABLE			
KEY A, BLACK, W/CPA	34985-2080	A-BLK	GC	PLR	CPA	M	R					2										10	11		13	14	15		SALEABLE		NOT AVAILABLE	NOT AVAILABLE			
KEY A, BLACK, W/CPA	34985-2081	A-BLK	GC	PLR	CPA	M	R					2														12	13		SALEABLE		NOT AVAILABLE	NOT AVAILABLE			
KEY A, BLACK, W/O CPA	34985-2082	A-BLK	GC	PLR		M	R					2														12	13	14	15	SALEABLE		NOT AVAILABLE	NOT AVAILABLE		
KEY A, BLACK, W/O CPA	34985-2083	A-BLK	GC	PLR		M	R																			12	13	14	15	SALEABLE		NOT AVAILABLE	NOT AVAILABLE		
KEY A, BLACK, W/O CPA	34985-2084	A-BLK	GC	PLR		M	R					2														12	13	14	15	SALEABLE		NOT AVAILABLE	NOT AVAILABLE		
KEY A, BLACK, W/O CPA	34985-2085	A-BLK	GC	PLR		M	R					2														11	12	13	15	SALEABLE		NOT AVAILABLE	NOT AVAILABLE		
KEY A, BLACK, W/O CPA	34985-2086	A-BLK	GC	PLR		M	R					2														11	12	13	15	SALEABLE		NOT AVAILABLE	NOT AVAILABLE		
KEY A, BLACK, W/O CPA	34985-2087	A-BLK	GC	PLR		M	R					2	3	4	5	6	7									10	11	12	13	14	15	SALEABLE		NOT AVAILABLE	NOT AVAILABLE
KEY A, BLACK, W/O CPA	34985-2088	A-BLK	GC	PLR		M	R					2	3	4	5	6	7									10	11	12	13	14	15	SALEABLE		NOT AVAILABLE	NOT AVAILABLE
KEY A, BLACK, W/CPA	34985-2089	A-BLK	GC	PLR	CPA	M	R					2	3	4	5	6	7									10	11	12	13	14	15	SALEABLE		NOT AVAILABLE	NOT AVAILABLE
KEY A, BLACK, W/O CPA	34985-2090	A-BLK	GC	PLR		M	R					2	3	4												10	11	12	13		SALEABLE		NOT AVAILABLE	NOT AVAILABLE	
KEY A, BLACK, W/O CPA																																			

MX150 16 WAY HYBRID RECEPTACLE SEALED ASSEMBLY MAT SEAL (WITHOUT CLIPSLOT, 2.8mm CAVITIES OPEN)
BOM AND PIN OUT SHEET

ASSEMBLY DESCRIPTION	ASSEMBLY PART NUMBER	COMPONENT						BLOCKED TERMINALS																STATUS	COMMENTS	OPTIONAL ATTACHMENTS SOLD SEPARATELY						
		THE PRESENCE OF AN ABBREVIATION INDICATES THE PRESENCE OF THAT COMPONENT.						CAVITY WITH A NUMBER INDICATES BLOCKED TERMINAL POSITION CAVITY WITHOUT A NUMBER INDICATES OPEN TERMINAL POSITION																		BACKSHELL WITH RIBS	BACKSHELL WITHOUT RIBS					
		HOUSING KEY/COLOR	GROMMET CAP	PLR	CPA	MAT SEAL	RING SEAL	1	2	3	4	5	6	7	8	9	10	11	12	13	14	15	16									
KEY A, BLACK, W/O CPA	34985-4118	A-BLK	GC	PLR		M	R				4	5	6								14	15	SALEABLE		NOT AVAILABLE	NOT AVAILABLE						
KEY A, BLACK, W/O CPA	34985-4119	A-BLK	GC	PLR		M	R					5	6								14	15	SALEABLE		NOT AVAILABLE	NOT AVAILABLE						
KEY A, BLACK, W/O CPA	34985-4120	A-BLK	GC	PLR		M	R				4	5	6									15		SALEABLE		NOT AVAILABLE	NOT AVAILABLE					
KEY B, LIGHT GRAY, W/O CPA	34985-4121	B-LG	GC	PLR		M	R					5	6	7							12	13			SALEABLE		NOT AVAILABLE	NOT AVAILABLE				
KEY B, LIGHT GRAY, W/O CPA	34985-4122	B-LG	GC	PLR		M	R						6	7									15		SALEABLE		NOT AVAILABLE	NOT AVAILABLE				
KEY B, LIGHT GRAY, W/O CPA	34985-4123	B-LG	GC	PLR		M	R				4	5										11	12	13		SALEABLE		NOT AVAILABLE	NOT AVAILABLE			
KEY B, LIGHT GRAY, W/O CPA	34985-4124	B-LG	GC	PLR		M	R						6	7								10	11		14	15	SALEABLE		NOT AVAILABLE	NOT AVAILABLE		
KEY B, LIGHT GRAY, W/O CPA	34985-4125	B-LG	GC	PLR		M	R						5	6	7							10	11	12	13	14	SALEABLE		NOT AVAILABLE	NOT AVAILABLE		
KEY B, LIGHT GRAY, W/O CPA	34985-4126	B-LG	GC	PLR		M	R						5	6	7								11	12	13		SALEABLE		NOT AVAILABLE	NOT AVAILABLE		
KEY B, LIGHT GRAY, W/O CPA	34985-4127	B-LG	GC	PLR		M	R						5	6										14		SALEABLE		NOT AVAILABLE	NOT AVAILABLE			
KEY B, LIGHT GRAY, W/O CPA	34985-4128	B-LG	GC	PLR		M	R			2		4	5	6	7							10	11	12	13	14	15	SALEABLE		NOT AVAILABLE	NOT AVAILABLE	
KEY B, LIGHT GRAY, W/O CPA	34985-4129	B-LG	GC	PLR		M	R			2		4	5	6	7								11			14		SALEABLE		NOT AVAILABLE	NOT AVAILABLE	
KEY B, LIGHT GRAY, W/O CPA	34985-4130	B-LG	GC	PLR		M	R			2		4	5	6											14		SALEABLE		NOT AVAILABLE	NOT AVAILABLE		
KEY B, LIGHT GRAY, W/O CPA	34985-4131	B-LG	GC	PLR		M	R						5	6	7								11			14		SALEABLE		NOT AVAILABLE	NOT AVAILABLE	
KEY B, LIGHT GRAY, W/O CPA	34985-4132	B-LG	GC	PLR		M	R				2		4	5	6	7							10	11	12	13	14	SALEABLE		NOT AVAILABLE	NOT AVAILABLE	
KEY B, LIGHT GRAY, W/O CPA	34985-4133	B-LG	GC	PLR		M	R						5	6									10			13		SALEABLE		NOT AVAILABLE	NOT AVAILABLE	
KEY B, LIGHT GRAY, W/O CPA	34985-4134	B-LG	GC	PLR		M	R								7								11			14		SALEABLE		NOT AVAILABLE	NOT AVAILABLE	
KEY B, LIGHT GRAY, W/O CPA	34985-4135	B-LG	GC	PLR		M	R																		14		SALEABLE		NOT AVAILABLE	NOT AVAILABLE		
KEY B, LIGHT GRAY, W/O CPA	34985-4136	B-LG	GC	PLR		M	R								7								10	11	12	13	14	SALEABLE		NOT AVAILABLE	NOT AVAILABLE	
KEY B, LIGHT GRAY, W/O CPA	34985-4137	B-LG	GC	PLR		M	R					4														14		SALEABLE		NOT AVAILABLE	NOT AVAILABLE	
KEY B, LIGHT GRAY, W/O CPA	34985-4138	B-LG	GC	PLR		M	R					4			7								11			14		SALEABLE		NOT AVAILABLE	NOT AVAILABLE	
KEY B, LIGHT GRAY, W/O CPA	34985-4139	B-LG	GC	PLR		M	R					4			7								10	11	12	13	14	SALEABLE		NOT AVAILABLE	NOT AVAILABLE	
KEY B, LIGHT GRAY, W/O CPA	34985-4140	B-LG	GC	PLR		M	R																10	11	12	13		SALEABLE		NOT AVAILABLE	NOT AVAILABLE	
KEY B, LIGHT GRAY, W/O CPA	34985-4141	B-LG	GC	PLR		M	R																			15		SALEABLE		NOT AVAILABLE	NOT AVAILABLE	
KEY A, BLACK, W/CPA	34985-4142	A-BLK	GC	PLR	CPA	M	R			2		4			7								10		12		15	SALEABLE		NOT AVAILABLE	NOT AVAILABLE	
KEY A, BLACK, W/O CPA	34985-4143	A-BLK	GC	PLR		M	R					4	5		7										12	13		SALEABLE		NOT AVAILABLE	NOT AVAILABLE	
KEY A, BLACK, W/O CPA	34985-4144	A-BLK	GC	PLR		M	R						5	6									10			13	14	SALEABLE		NOT AVAILABLE	NOT AVAILABLE	
KEY A, BLACK, W/O CPA	34985-4145	A-BLK	GC	PLR		M	R				3												10			13	14	SALEABLE		NOT AVAILABLE	NOT AVAILABLE	
KEY A, BLACK, W/O CPA	34985-4146	A-BLK	GC	PLR		M	R			2			5	6											14	15	SALEABLE		NOT AVAILABLE	NOT AVAILABLE		
KEY A, BLACK, W/O CPA	34985-4147	A-BLK	GC	PLR		M	R					3	4	5	6	7							10	11				SALEABLE		NOT AVAILABLE	NOT AVAILABLE	
KEY A, BLACK, W/O CPA	34985-4148	A-BLK	GC	PLR		M	R			2				6									10	11	12			SALEABLE		NOT AVAILABLE	NOT AVAILABLE	
KEY A, BLACK, W/O CPA	34985-4149	A-BLK	GC	PLR		M	R					4			7								10					SALEABLE		NOT AVAILABLE	NOT AVAILABLE	
KEY A, BLACK, W/O CPA	34985-4150	A-BLK	GC	PLR		M	R					3	4		6	7								11	12		14	15	SALEABLE		NOT AVAILABLE	NOT AVAILABLE
KEY A, BLACK, W/O CPA	34985-4151	A-BLK	GC	PLR		M	R			2			4	5	6								10	11				SALEABLE		NOT AVAILABLE	NOT AVAILABLE	
KEY A, BLACK, W/O CPA	34985-4152	A-BLK	GC	PLR		M	R			2			4	5	6											14	15	SALEABLE		NOT AVAILABLE	NOT AVAILABLE	
KEY A, BLACK, W/O CPA	34985-4153	A-BLK	GC	PLR		M	R			2			4													14	15	SALEABLE		NOT AVAILABLE	NOT AVAILABLE	
KEY A, BLACK, W/O CPA	34985-4154	A-BLK	GC	PLR		M	R					4	5	6									10	11			14	15	SALEABLE		NOT AVAILABLE	NOT AVAILABLE
KEY A, BLACK, W/O CPA	34985-4155	A-BLK	GC	PLR		M	R					4														14	15	SALEABLE		NOT AVAILABLE	NOT AVAILABLE	
KEY A, BLACK, W/CPA	34985-4156	A-BLK	GC	PLR	CPA	M	R																		13	14	15	SALEABLE		NOT AVAILABLE	NOT AVAILABLE	
KEY A, BLACK, W/CPA	34985-4157	A-BLK	GC	PLR	CPA	M	R																10	11	12			SALEABLE		NOT AVAILABLE	NOT AVAILABLE	
KEY B, LIGHT GRAY, W/CPA	34985-4158	B-LG	GC	PLR	CPA	M	R			2				6	7								10	11	12	13	14	15	SALEABLE		NOT AVAILABLE	NOT AVAILABLE
KEY B, LIGHT GRAY, W/CPA	34985-4159	B-LG	GC	PLR	CPA	M	R							6									10	11	12	13		SALEABLE		NOT AVAILABLE	NOT AVAILABLE	
KEY B, LIGHT GRAY, W/O CPA	34985-4160	B-LG	GC	PLR		M	R																		11	12	13		SALEABLE		NOT AVAILABLE	NOT AVAILABLE
KEY A, BLACK, W/O CPA	34985-4161	A-BLK	GC	PLR		M	R																10			14		SALEABLE		NOT AVAILABLE	NOT AVAILABLE	
KEY A, BLACK, W/O CPA	34985-4162	A-BLK	GC	PLR		M	R								7								10	11	12	13		SALEABLE		NOT AVAILABLE	NOT AVAILABLE	
KEY A, BLACK, W/O CPA	34985-4163	A-BLK	GC	PLR		M	R			2		3		6	7											14	15	SALEABLE		NOT AVAILABLE	NOT AVAILABLE	
KEY A, BLACK, W/O CPA	34985-4164	A-BLK	GC	PLR		M	R			2					7											14	15	SALEABLE		NOT AVAILABLE	NOT AVAILABLE	
KEY A, BLACK, W/O CPA	34985-4165	A-BLK	GC	PLR		M	R								7								10					SALEABLE		NOT AVAILABLE	NOT AVAILABLE	
KEY A, BLACK, W/O CPA	34985-4166	A-BLK	GC	PLR		M	R			2					7								10			13	14	SALEABLE		NOT AVAILABLE	NOT AVAILABLE	
KEY A, BLACK, W/O CPA	34985-4167	A-BLK	GC	PLR		M	R								7								10		12	13	14	15	SALEABLE		NOT AVAILABLE	NOT AVAILABLE
KEY A, BLACK, W/O CPA	34985-4168	A-BLK	GC	PLR		M	R						5										10	11	12			SALEABLE		NOT AVAILABLE	NOT AVAILABLE	
KEY A, BLACK, W/O CPA	34985-4169	A-BLK	GC	PLR		M	R								7								10	11		13	14	15	SALEABLE		NOT AVAILABLE	NOT AVAILABLE
KEY A, BLACK, W/O CPA	34985-4170	A-BLK	GC	PLR		M	R			2		3		5	6	7							10	11	12	13	14	15	SALEABLE		NOT AVAILABLE	NOT AVAILABLE
KEY A, BLACK, W/O CPA	34985-4171	A-BLK	GC	PLR		M	R																			12	13	SALEABLE		NOT AVAILABLE	NOT AVAILABLE	
KEY B, LIGHT GRAY, W/O CPA	34985-4172	B-LG	GC	PLR		M	R							6	7										12	13	14	15	SALEABLE		NOT AVAILABLE	NOT AVAILABLE
KEY B, LIGHT GRAY, W/O CPA	34985-4173	B-LG	GC	PLR		M	R							6	7										12	13	14	SALEABLE		NOT AVAILABLE	NOT AVAILABLE	

