

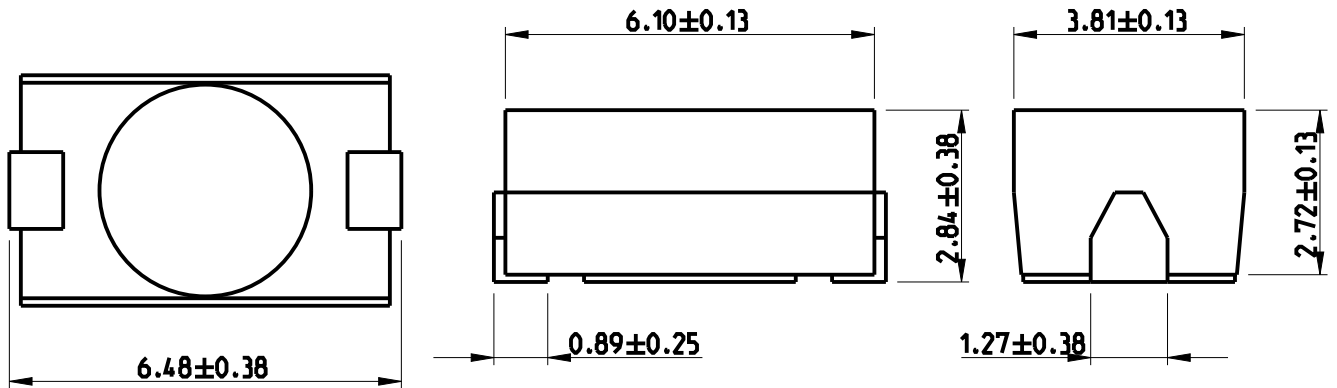
REVISIONS

P	LTR	DESCRIPTION	DATE	DWN	APVD
	BA	NEW RELEASE	10 JULY 2010	PT	SI.P
	BA1	ECR-13-018622	28 NOV 2013	KR	TN
	BB	ECR-14-002163	17 FEB 2014	KR	TN

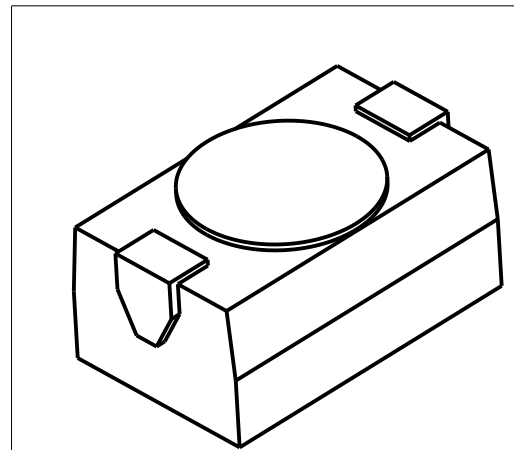
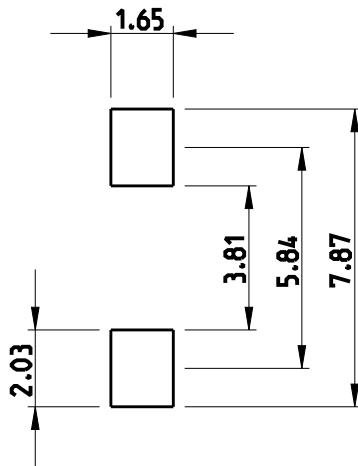
FOR FURTHER INFORMATION SEE DATA SHEET FOR SERIES S - SMD MOULDED POWER RESISTOR

NOTE:

- Terminal Finish - Hot Dipped Sn. Min 5µm



RECOMMENDED LAND PATTERN



2008

RELEASED FOR PUBLICATION

ALL RIGHTS RESERVED.

BY -

© COPYRIGHT 2008

DIMENSIONS: mm	DWN PARUSURAM.T	10 JULY 2010	MATERIAL	-	FINISH	-
	CHK ALLAN.P	10 JULY 2010				
TOLERANCES UNLESS OTHERWISE SPECIFIED:	APVD STEPHEN.P	10 JULY 2010				
0 PLC $\pm 0.2$	PRODUCT SPEC	-	NAME SMD MOULDED POWER RESISTOR SERIES SP1			
1 PLC $\pm 0.1$	APPLICATION SPEC	-	SIZE	CAGE CODE	DRAWING NO	RESTRICTED TO
2 PLC $\pm$			A 4	00779	C-1624289	-
3 PLC $\pm$			Customer Drawing			
4 PLC $\pm$	WEIGHT	-	SCALE	8:1	SHEET	1 OF 1
ANGLES $5^\circ$			REV	BB		