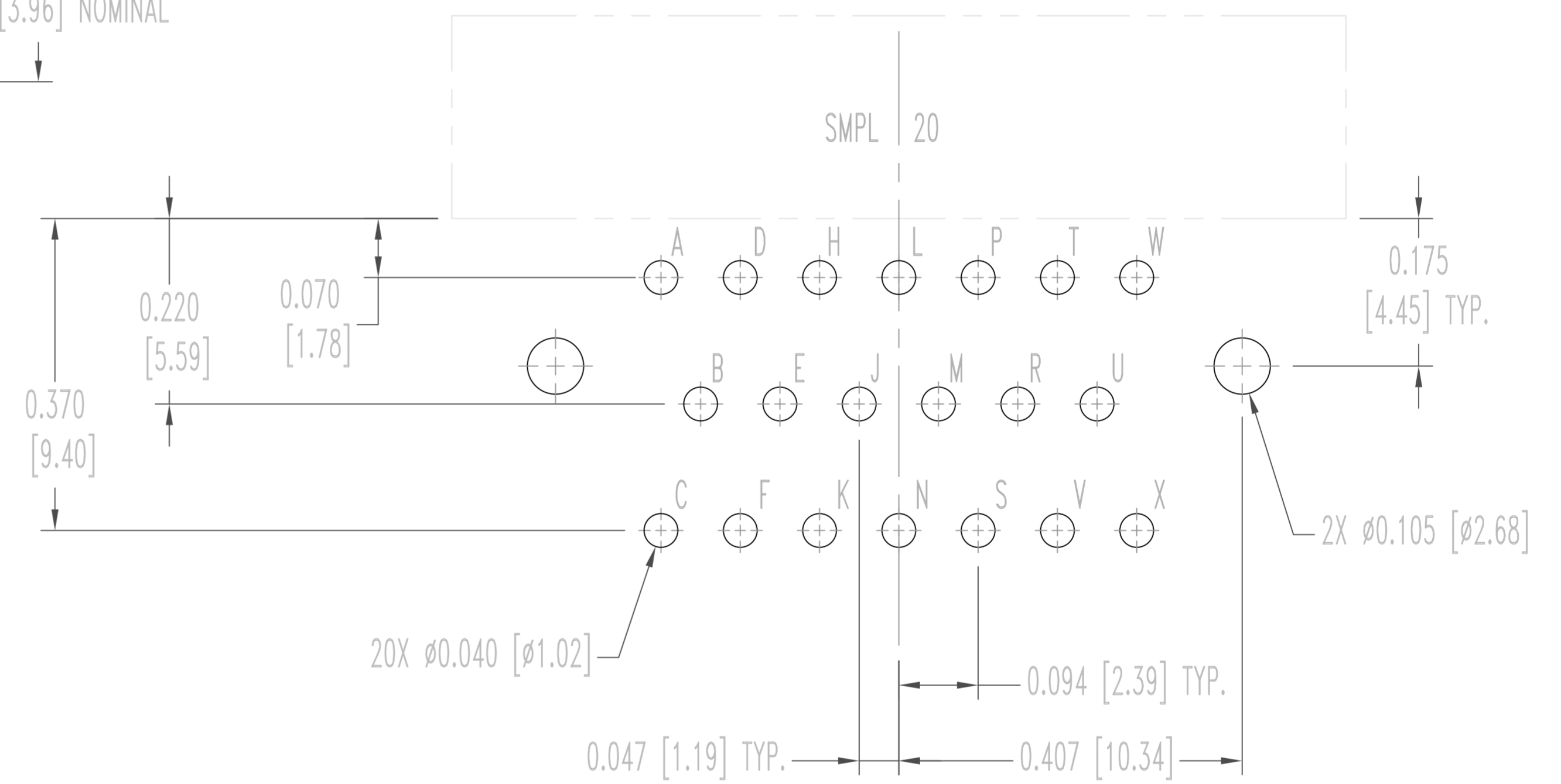
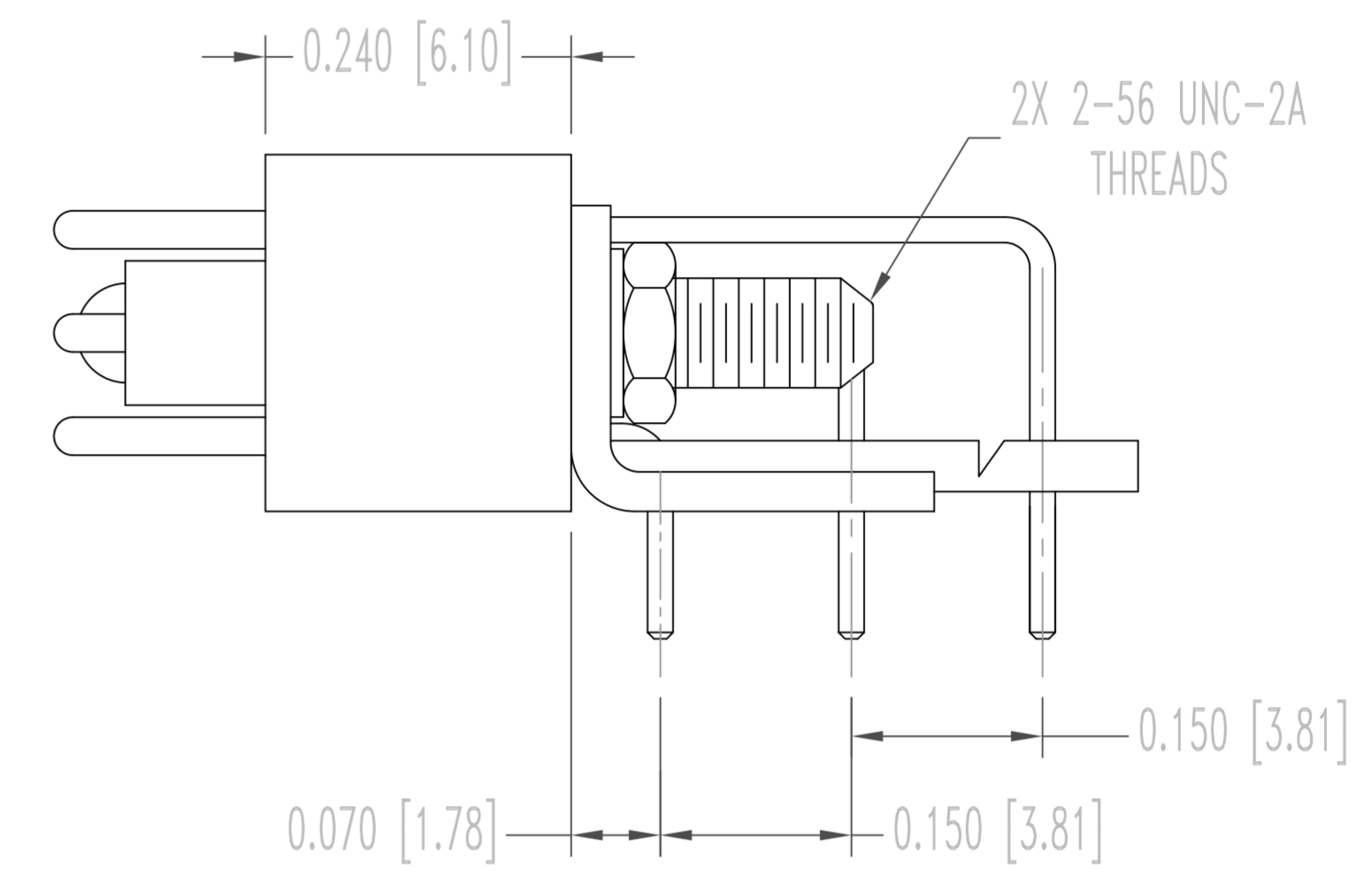
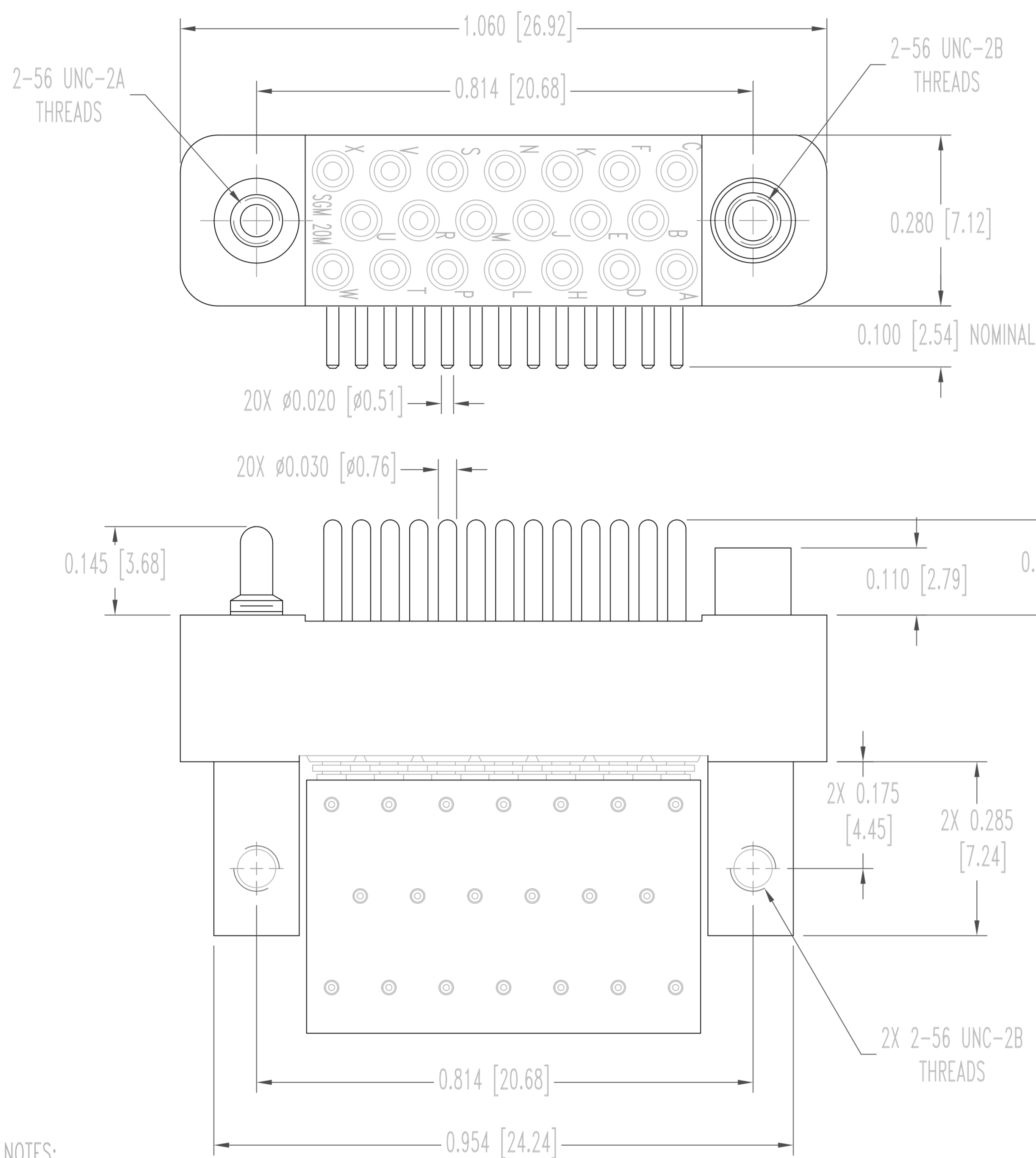


THIS DRAWING CONTAINS INFORMATION PROPRIETARY TO POSITRONIC AND ITS SUBSIDIARIES. POSITRONIC BELIEVES THE DATA ON THIS DRAWING TO BE RELIABLE, SINCE THE TECHNICAL INFORMATION IS GIVEN FREE OF CHARGE. THE USER EMPLOYS SUCH INFORMATION AT HIS OWN DISCRETION AND RISK. POSITRONIC ASSUMES NO RESPONSIBILITY FOR RESULTS OBTAINED OR DAMAGES INCURRED FROM USE OF SUCH INFORMATION IN WHOLE OR IN PART.

SK13747

DATE	REV	REVISION RECORD	APP	DR	CK
01-25	19	A	ECO	64631	RK SM ND



PRINTED BOARD HOLE PATTERN

NOTES:

- MATERIALS AND FINISHES:
 INSULATOR: GLASS FILLED DAP PER ASTM-D-5948, TYPE SDG-F. COLOR: GREY.
 CONTACTS: PRECISION MACHINED COPPER ALLOY, 0.000015 [0.38μ] GOLD OVER NICKEL PLATE.
 SPRING CLIPS: PHOSPHOR BRONZE, ZINC PLATE WITH CHROMATE SEAL.
 JACKSCREWS: STAINLESS STEEL, PASSIVATED.
 MOUNTING BRACKETS: PHOSPHOR BRONZE, ZINC PLATE WITH CHROMATE SEAL.
 HEX NUTS AND LOCK WASHERS: STAINLESS STEEL, PASSIVATED.
 ALIGNMENT BAR: GLASS FILLED POLYESTER, UL 94V-0, COLOR: BLACK.
- DETAILED PRODUCT, ELECTRICAL AND MECHANICAL INFORMATION IS AVAILABLE IN THE LATEST HIGH DENSITY RECTANGULAR PRODUCT PUBLICATION AT CONNECTPOSITRONIC.COM.
- CONNECTORS ARE COMPLIANT TO THE CURRENT RoHS DIRECTIVE.
- DIMENSIONS ARE IN INCHES [MILLIMETERS].

	POSITRONIC INDUSTRIES INC. SPRINGFIELD, MISSOURI 65801		DRAWN BY MP
	SCALE N.T.S.		APPROVED BY COLE
DECIMAL TOL. ±0.015 [0.38]	TITLE SMPL SERIES		
SMPL20M0T0LB/AA			
ANGULAR TOL. ±5°	DATE 2-21-12	DRAWING NUMBER SK13747	REV. A