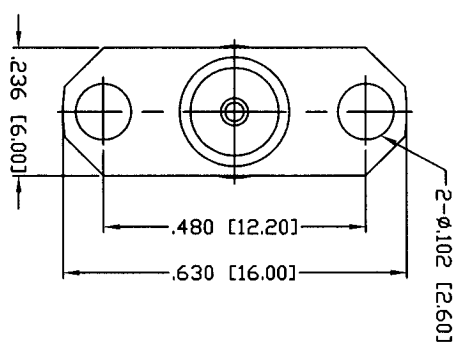
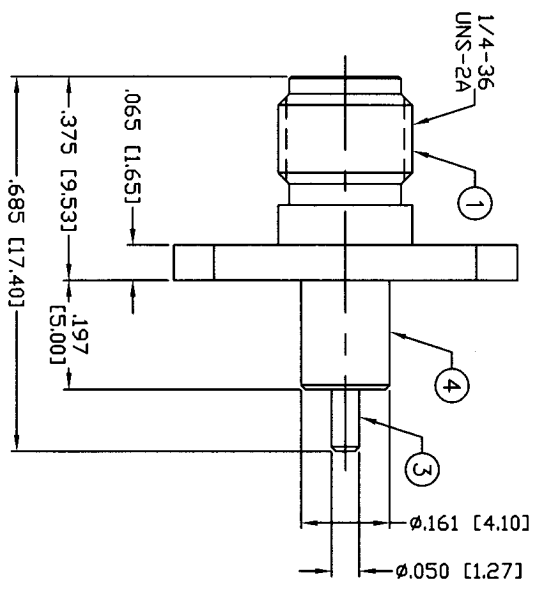


THIS DRAWING CONTAINS INFORMATION PROPRIETARY TO RF INDUSTRIES.
 ANY UNAUTHORIZED USE OF THIS DRAWING IS EXPRESSLY PROHIBITED
 WITHOUT WRITTEN PERMISSION FROM RF INDUSTRIES.
 ANY VIOLATION IS PUNISHABLE UNDER U.S. COPYRIGHT LAWS.

ALL DIMENSIONS ARE REFERENCE ONLY




SPECIFICATIONS:
 IMPEDANCE: 50 Ohms
 FREQUENCY RANGE: 0-12.4 GHz
 WORKING VOLTAGE: 500 V rms Max. @ Sea Level
 INSULATION RESISTANCE: 5k M Ohms min.
 TEMPERATURE RANGE: -65°C TO 165°C

#	DESCRIPTION	QTY	MATRL	FINISH
1	BODY	1	BRASS	NICKEL, 100μ"
2	INSULATOR	1	PTFE	---
3	CONTACT	1	Be-Cu	GOLD, 50μ"
4	INSULATOR	1	PTFE	---
5	RING	1	BRASS	NICKEL, 100μ"
6				
7				
8				
9				
10				
11				
12				
13				
14				

008974	DRAWN G. GALLEGOS	3/4/02
	CHECKED G. GALLEGOS	3/5/02
	ORU G. GALLEGOS	3/4/02
	APPROVALS	DATE

UNLESS OTHERWISE SPECIFIED:
 1. REMOVE ALL BURRS
 2. BREAK ALL CORNERS & EDGES .005 R. MAX.
 3. CHAMFER 1ST & LAST THREADS 45°
 4. SURFACE ROUGHNESS 63 FINISH MIL-STD-10
 5. DIAMETERS ON COMMON CENTERS TO BE CONCENTRIC WITHIN .002 T.I.R.
 6. ALL DIMENSIONS ARE AFTER PLATING.

DIMENSIONS ARE IN INCHES AND [MILLIMETERS]
 UNLESS OTHERWISE NOTED TOLERANCES ARE:
 DECIMALS .xxx±.003 [.08]
 DIAMETER .xxx±.001 [.03]
 .xxx±.005 [.13]
 .xx±.003 [.08]



RF Connectors
 DIVISION OF RF INDUSTRIES, LTD.

7610 MIRAMAR RD
 SAN DIEGO, CA 92126
 (858) 549-6340
 (858) 549-6345 FAX

SMA JACK
 2 HOLE FLANGE

SIZE	CABLE GROUP	DWG NO.	REV
A	N/A	RSA-3268	-

SCALE:	NTS	CAD FILE	OUTLINE	SHEET	1 OF 1
--------	-----	----------	---------	-------	--------

REV	DESCRIPTION	DWN	DATE	APPROVED
-	ENGINEERING RELEASE	GGC	4/19/00	CZS

PART NO.	DESCRIPTION	DATE	APPROVED
RSA-3268			