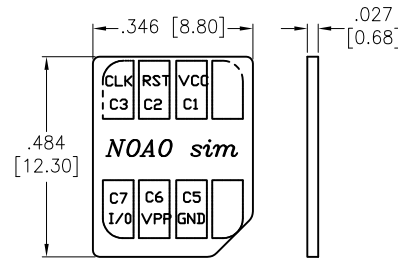
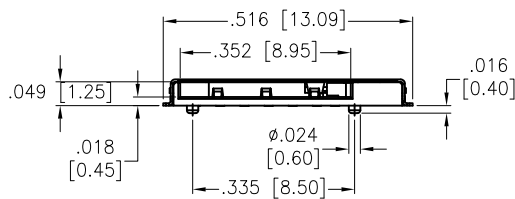
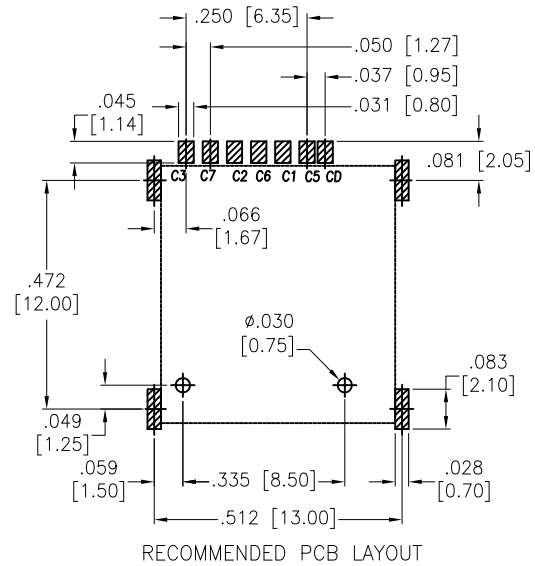
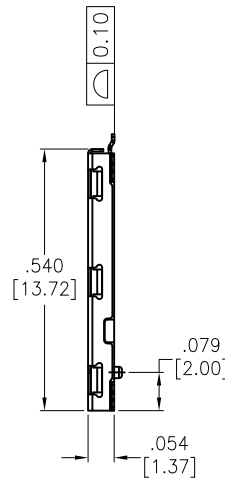
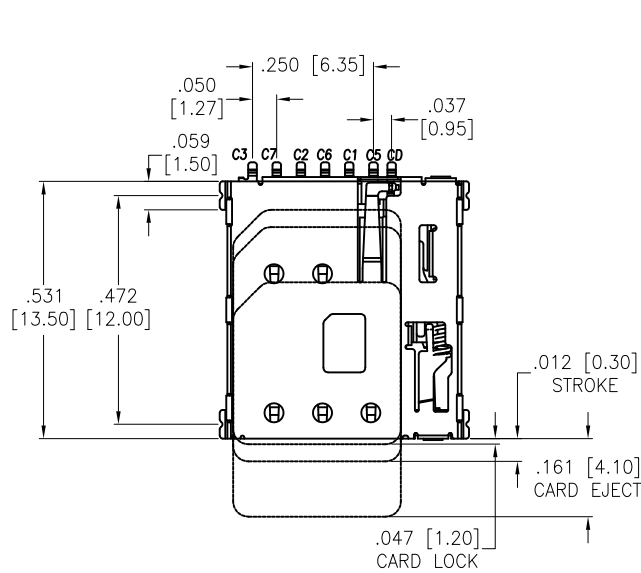


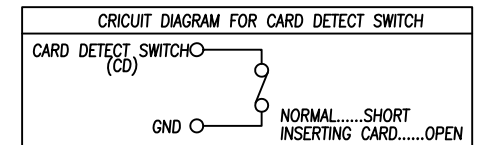
APPROVED: _____
 DATE: _____ TITLE: _____

Rev	AWO #	Description	Date	Appr
-		RELEASED	2/17/17	
A		UPDATE DRAWING	3/16/17	AY/MC
B		UPDATE DRAWING	4/3/19	AY/TY



【 SIM Card Pin Assignments 】

PIN	Name
C1	Vcc
C2	RST
C3	CLK
C4	Reserved
C5	GND
C6	Vpp
C7	I/O
C8	Reserved



SPECIFICATIONS:

Material:
 Insulation: Hi-Temp Thermoplastic, Color: Black
 Contact: Copper Alloy
 Shell: Stainless Steel, Nickel plated over all
 Gold flash on solder area

Plating:
 Gold flash over Nickel underplate overall

Electrical:
 Voltage rating: 30 VAC
 Current rating: 0.5 A
 Contact resistance: 100 mohms max.
 Insulation resistance: 1000 Mohms min @ 500 VDC
 Dielectric withstanding voltage: 500 VAC for 1 minute
 Environmental:
 Lead free, RoHS compliant



PACKAGED ON TAPE & REEL

UNLESS OTHERWISE SPECIFIED ALL DIMENSIONS ARE INCHES [MM] TOLERANCES: EXCEPT AS NOTED		
INCHES		HOLES
.X ± .10		Ø.X ± .10
.XX ± .020		Ø.XX ± .015
.XXX ± .015		Ø.XXX ± .010
APPROVALS		DATE
DRAWN	AY	2/17/17
CHECKED	MC	2/17/17
APPROVED		

ADAM TECH INTERCONNECTS
 909 Rahway Avenue,
 Union, NJ 07083
 Phone: 908-687-5000
 Fax: 908-687-5710

TITLE: **NANO SIM CARD CONNECTOR, 6 PIN
 PUSH PUSH TYPE, H= 1.37MM**

SIZE	PART NO.	REV.
X	NSSCP-D-06-G-SMT-SW-T/R	B
REF: S00275T	SCALE: NTS	SHEET 1 OF 1