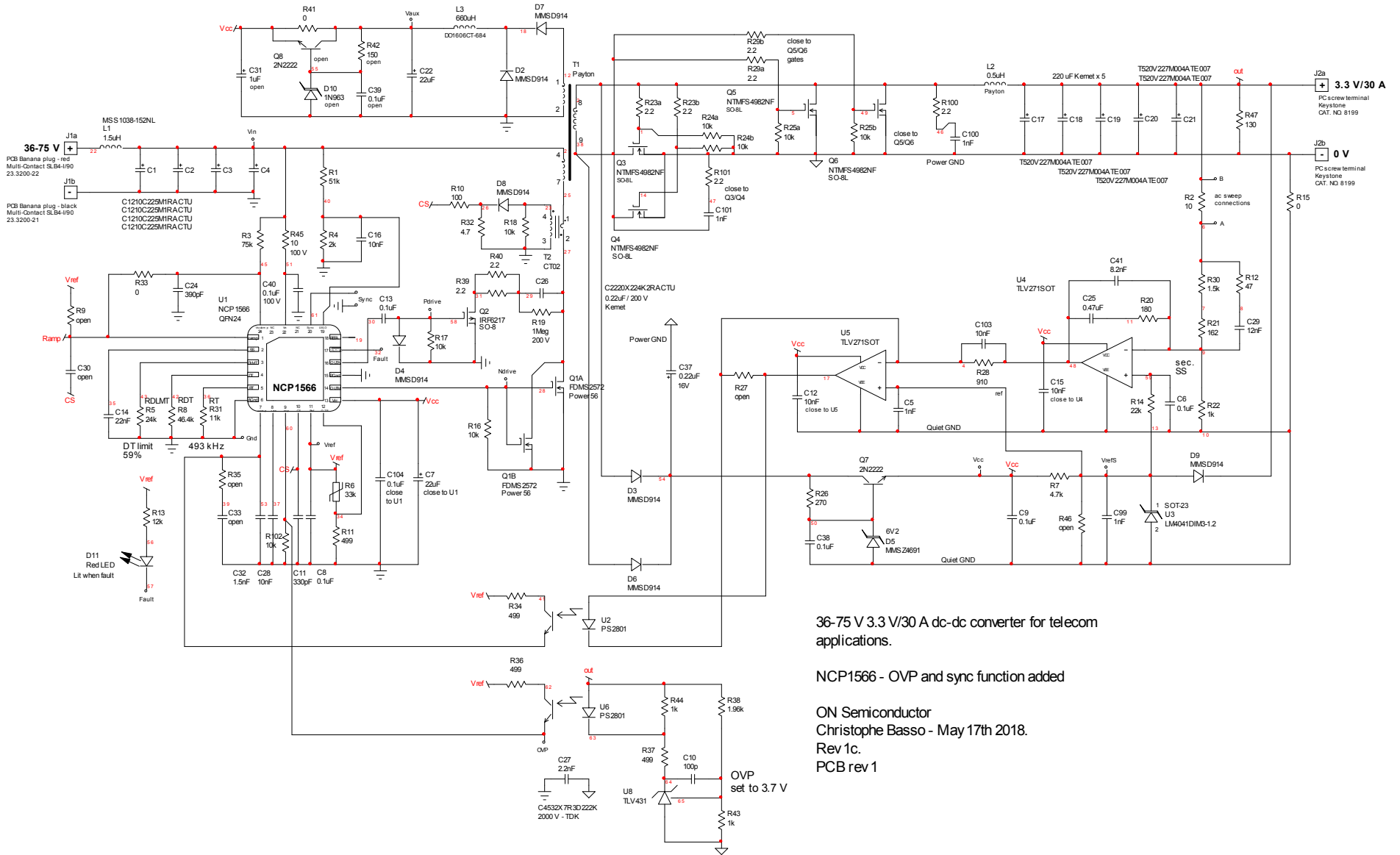




# Schematic for the NCP1566TELECGEV B Evaluation Board



36-75 V 3.3 V/30 A dc-dc converter for telecom applications.

NCP1566 - OVP and sync function added

ON Semiconductor  
 Christophe Basso - May 17th 2018.  
 Rev 1c.  
 PCB rev 1