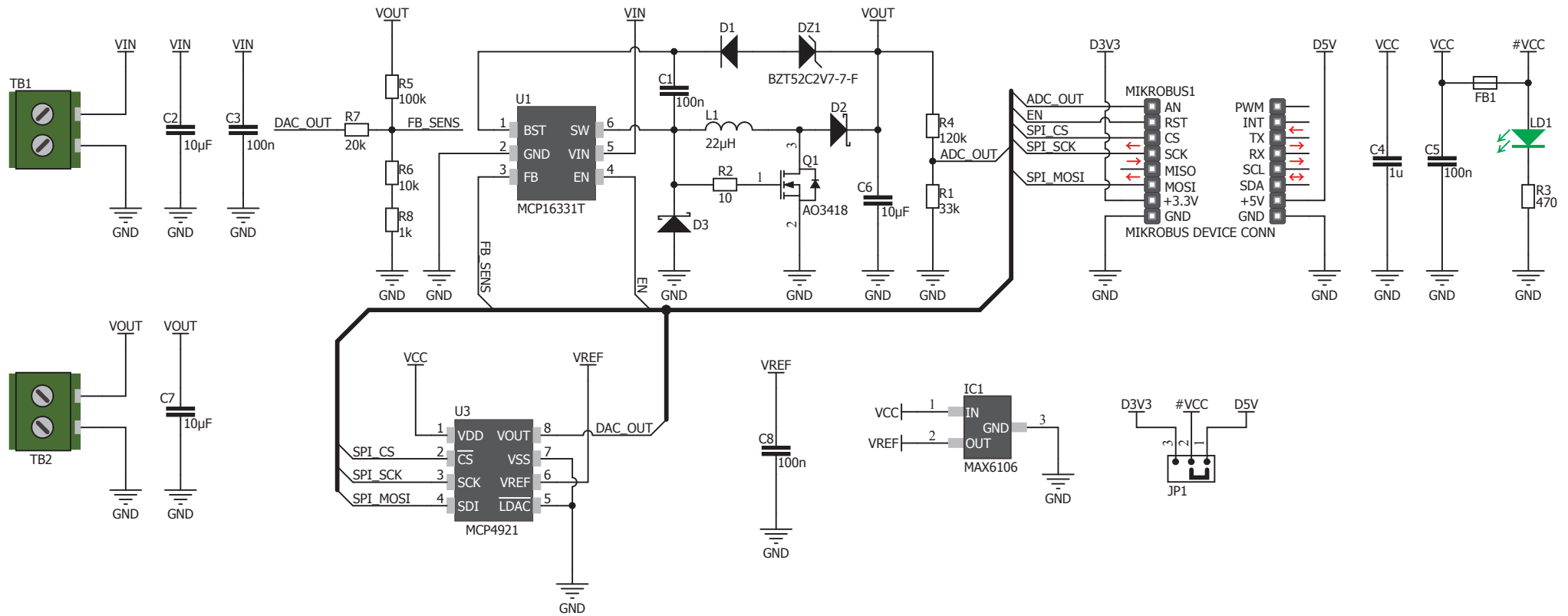


MCP16331 click schematic v100



www.mikroe.com