

High Speed, Low Voltage, 3 Ω, Differential 4:1 CMOS Analog Multiplexer/Switch

DESCRIPTION

The DG2707 is a high speed, low voltage, 3 Ω, differential 4:1 multiplexer. It operates from a 1.65 V to 4.3 V single power supply. All channels guaranteed break before make switching. When powered with single 3.15 V supply, channel to channel ON Resistance matching is within 0.3 Ω.

All control logic input has 0.5 V to 1.65 V threshold. The EN pin enables cascading of the multiplexers. It features a 120 MHz - 3 dB bandwidth, - 90 dB crosstalk and - 70 dB off-isolation at 1 MHz.

The DG2707 comes in a small miniQFN-16 lead package (1.8 mm x 2.6 mm x 0.75 mm). As a committed partner to community and the environment, Vishay Siliconix manufactures this product with the lead (Pb)-free device terminations and is 100 % RoHS compliant.

FEATURES

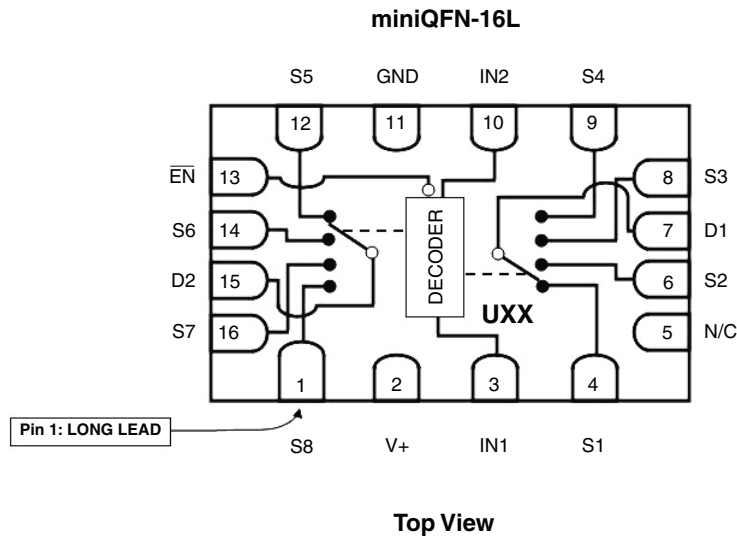
- Low voltage operation (1.65 V to 4.3 V)
- Low on-resistance - R_{ON} : 2.8 Ω typ. at 3.15 V
- Low voltage logic threshold
- Low crosstalk: - 70 dB
- High off-isolation: - 90 dB
- Ultra small package: miniQFN16 of 1.8 mm x 2.6 mm


RoHS
COMPLIANT

APPLICATIONS

- A/V and analog signal routing
- Battery operated devices
- Data acquisition systems
- Communications systems
- Medical and ATE equipments

FUNCTIONAL BLOCK DIAGRAM AND PIN CONFIGURATION



Device Marking: **UXX**
Traceability Code:
U is DG2707DN
XX = Date/Lot

ORDERING INFORMATION

Temp. Range	Package	Part Number
- 40 °C to 85 °C	miniQFN-16	DG2707DN-T1-E4



TRUTH TABLE DG2707 MULTIPLEXER, MINIQFN-16L				
Enable Input	Select Input		On Switches (Pin)	
EN (Pin 13)	IN2 (Pin 10)	IN1 (Pin 3)	Description (Pin)	Common (Pin)
0	0	0	S5 (Pin 12)	D2 (Pin 15)
0	0	1	S6 (Pin 14)	
0	1	0	S7 (Pin 16)	
0	1	1	S8 (Pin 1)	
0	0	0	S1 (Pin 4)	D1 (Pin 7)
0	0	1	S2 (Pin 6)	
0	1	0	S3 (Pin 8)	
0	1	1	S4 (Pin 9)	
1	X	X	All Switches are off	
Pin 5 N/C				

ABSOLUTE MAXIMUM RATINGS (T _A = 25 °C, unless otherwise noted)			
Parameter		Limit	Unit
Reference to GND	V+	- 0.3 to 5.0	V
	EN, IN, D _X , S _X ^a	- 0.3 to (V+ + 0.3)	
Current (Any terminal except S _X or D _X)		30	mA
Continuous Current (S _X or D _X)		± 300	
Peak Current (Pulsed at 1 ms, 10 % Duty Cycle)		± 500	
Storage Temperature (D Suffix)		- 65 to 150	°C
Thermal Resistance (Package) ^b	miniQFN-16	152	°C/W
Power Dissipation (Packages) ^b	miniQFN-16 ^{c, d}	525	mW

Notes:

- a. Signals on S_X or D_X, or IN_X or EN exceeding V+ will be clamped by internal diodes. Limit forward diode current to maximum current ratings.
- b. All leads welded or soldered to PC board.
- c. Derate 6.6 mW/°C above 70 °C
- d. Manual soldering with iron is not recommended for leadless components. The miniQFN-16 is a leadless package. The end of the lead terminal is exposed copper (not plated) as a result of the singulation process in manufacturing. A solder fillet at the exposed copper lip cannot be guaranteed and is not required to ensure adequate bottom side solder interconnection.



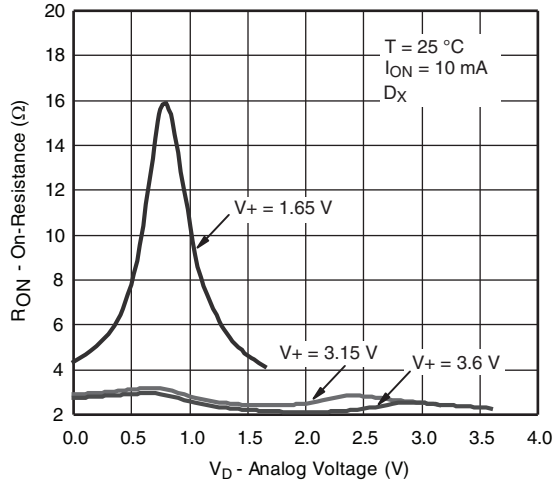
SPECIFICATIONS (V+ = 3.15 V)								
Parameter	Symbol	Test Conditions Otherwise Unless Specified	Temp. ^b	Limits - 40 °C to 85 °C			Unit	
				Min. ^d	Typ. ^c	Max. ^d		
Analog Switch								
Analog Signal Range ^e	V _{analog}	R _{DS(on)}	Full	0		V+	V	
On Resistance	R _{DS(on)}	V+ = 3.15 V, I _{SX} = 10 mA, V _{DX} = 1.0 V	Room		2.8	5.5	Ω	
			Full			6		
R _{ON} Match	ΔR _(on)	V+ = 3.15 V, I _{SX} = 10 mA, V _{DX} = 1.0 V	Room		0.3			
R _{ON} Resistance Flatness	R _(on) Flatness	V+ = 3.15 V, I _{SX} = 10 mA, V _{DX} = 0.0 V, 1.0 V	Room		0.6			
Channel-Off Leakage Current	I _{SX(off)}	V+ = 3.6 V, V _{SX} = 0.5 V/3 V, V _{DX} = 3 V/0.5 V	Room	- 5		5	nA	
	I _{DX(off)}		Full	- 10		10		
Channel-On Leakage Current	I _{DX(on)}	V+ = 3.6 V, V _{SX} , V _{DX} = 3 V/0.5 V	Room	- 10		10		
			Full	- 20		20		
Digital Control								
Input High Voltage	V _{INH}		Full	1.65			V	
Input Low Voltage	V _{INL}					0.4		
Input Current	I _{INL} or I _{INH}	V _{IN} = 0 or V+			- 1		1	μA
Input Capacitance	C _{IN}	V+ = 3.15, f = 1 MHz				5.1		pF
Dynamic Characteristics								
Break-Before-Make Time	t _{BBM}	V _{SX} = 1.5 V, R _L = 50 Ω, C _L = 35 pF	Room		1		ns	
			Full	5				
Enable Turn-On Time	t _{ON(EN)}		Room		20	45		
			Full			55		
Enable Turn-Off Time	t _{OFF(EN)}		Room		15	35		
			Full			45		
Transition Time	t _{TRANS}		Room		35	55		
			Full			65		
Charge Injection ^d	Q _{INJ}	C _L = 1 nF, R _{GEN} = 0 Ω, V _{SX} = 2 V	Room		- 14		pC	
Off-Isolation ^d	OIRR	V+ = 3.15 V, f = 1 MHz, R _L = 50 Ω, C _L = 5 pF	Room		- 70		dB	
Crosstalk ^{d, f}	X _{TALK}				- 90			
Bandwidth ^d	BW	V+ = 3.15 V, R _L = 50 Ω, C _L = 5 pF, - 3 dB	Room		120		MHz	
Total Harmonic Distortion ^d	THD	V+ = 3.15 V, R _{load} = 600 Ω	Room		0.02		%	
S _X , D _X Off Capacitance ^d	C _{S(off)}	V+ = 3.15 V, f = 1 MHz	Room		16		pF	
	CD _{X(off)}				42			
Channel-On Capacitance ^d	CD _{X(on)}					49		
Power Supply								
Power Supply Range	V+			1.65		4.3	V	
Power Supply Current	I+	V _{IN} = 0 V or V+	Full			1	μA	

Notes:

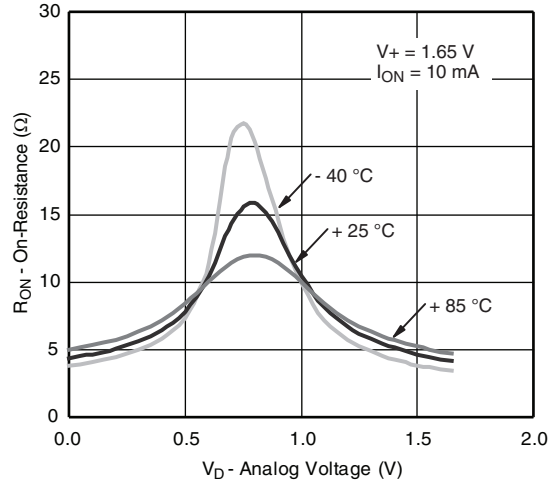
- a. Room = 25 °C, Full = as determined by the operating suffix.
- b. The algebraic convention whereby the most negative value is a minimum and the most positive a maximum, is used in this data sheet.
- c. Typical values are for design aid only, not guaranteed nor subject to production testing.
- d. Guarantee by design, not subjected to production test.
- e. V_{IN} = input voltage to perform proper function.
- f. Crosstalk measured between channels.

Stresses beyond those listed under "Absolute Maximum Ratings" may cause permanent damage to the device. These are stress ratings only, and functional operation of the device at these or any other conditions beyond those indicated in the operational sections of the specifications is not implied. Exposure to absolute maximum rating conditions for extended periods may affect device reliability.

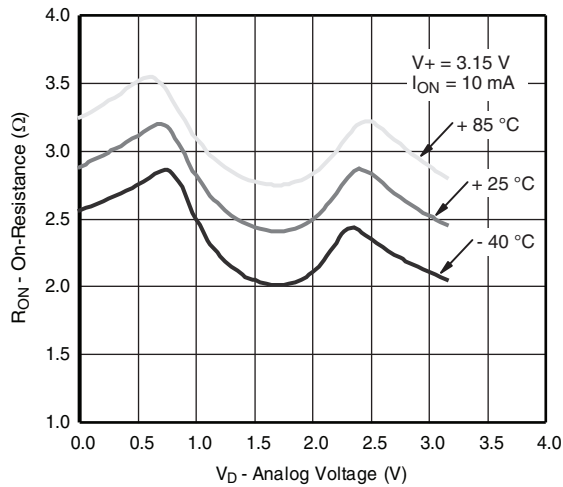
TYPICAL CHARACTERISTICS ($T_A = 25\text{ }^\circ\text{C}$, unless otherwise noted)



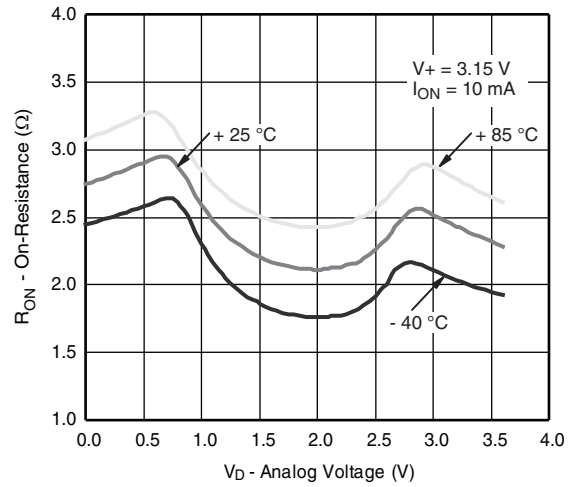
R_{ON} vs. V_D and Single Supply Voltage



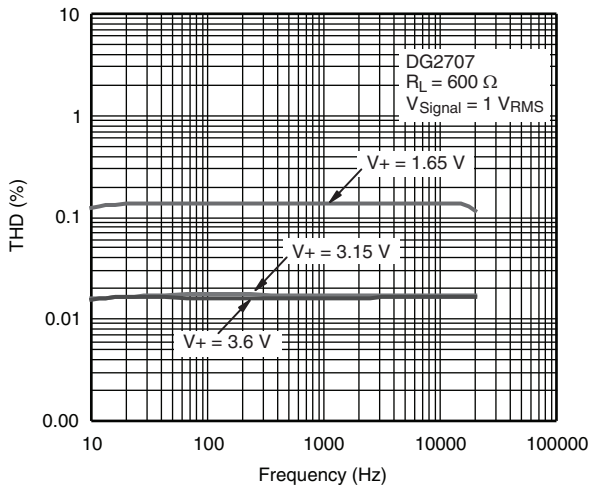
R_{ON} vs. Analog Voltage and Temperature



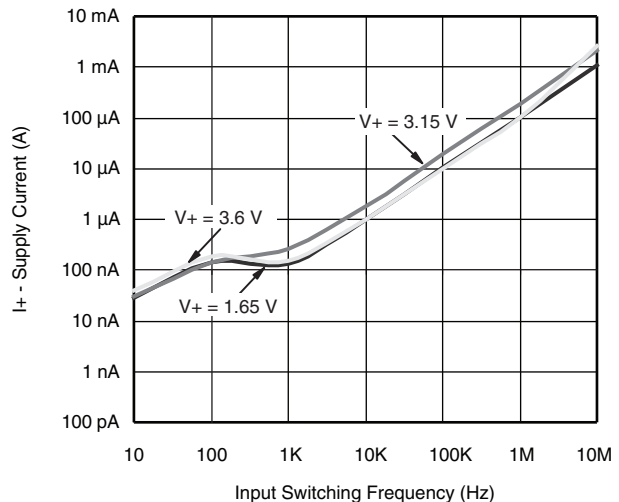
R_{ON} vs. Analog Voltage and Temperature



R_{ON} vs. Analog Voltage and Temperature

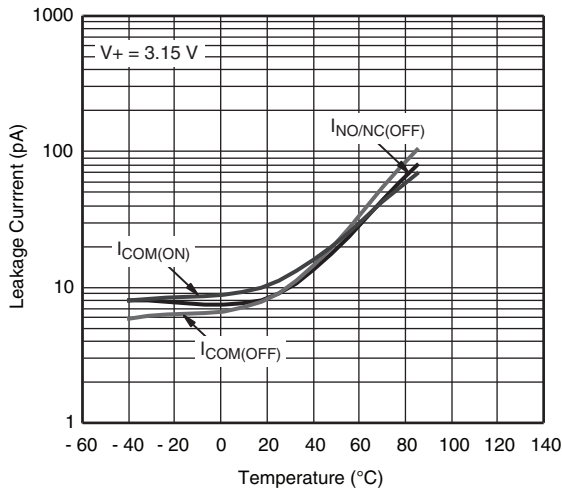


Switching Threshold vs. Supply Voltage

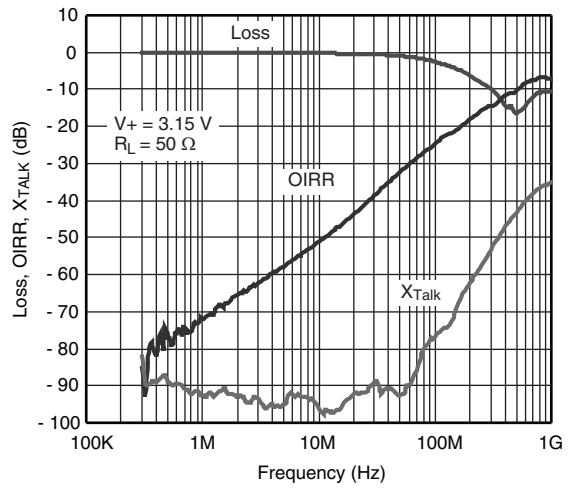


Supply Current vs. Input Switching Frequency

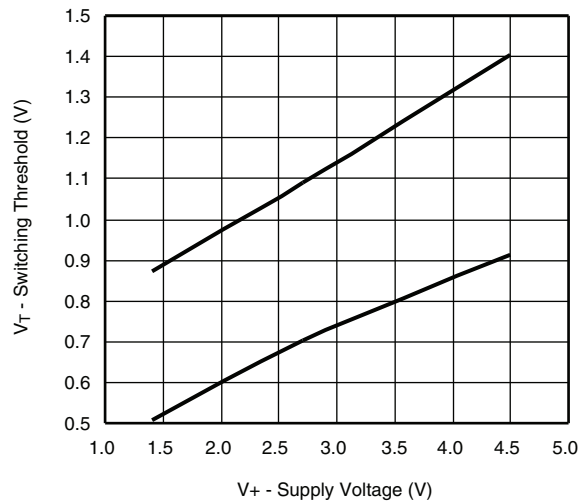
TYPICAL CHARACTERISTICS ($T_A = 25\text{ }^\circ\text{C}$, unless otherwise noted)



Leakage Current vs. Temperature



Insertion Loss, Off-Isolation Crosstalk vs. Frequency



Switching Threshold vs. Supply Voltage

TEST CIRCUITS

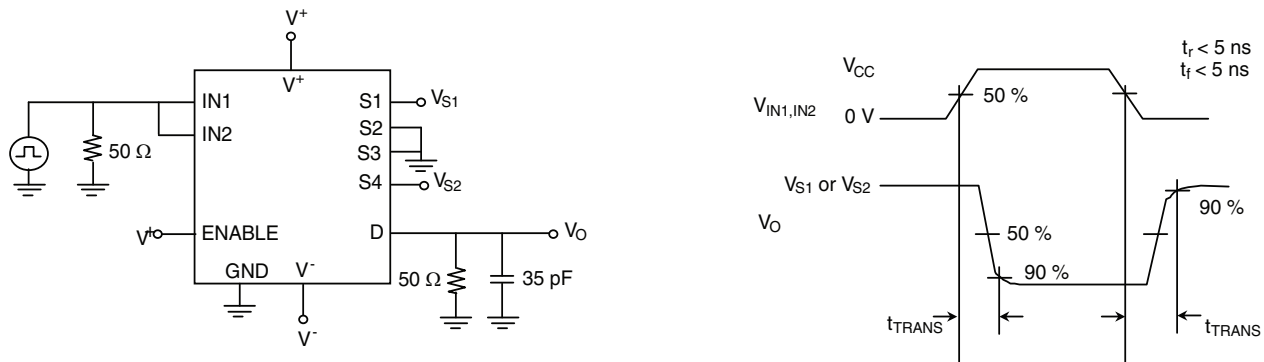


Figure 1. Transition Time

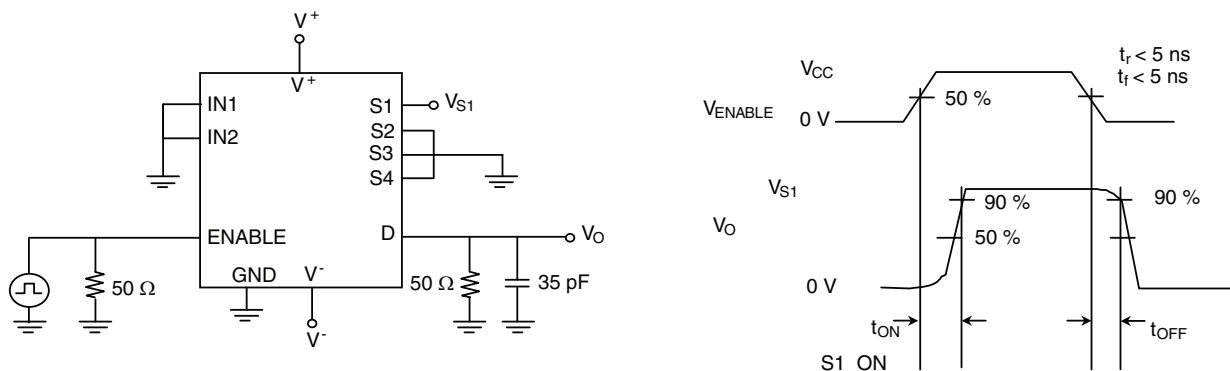


Figure 2. Enable Switching Time

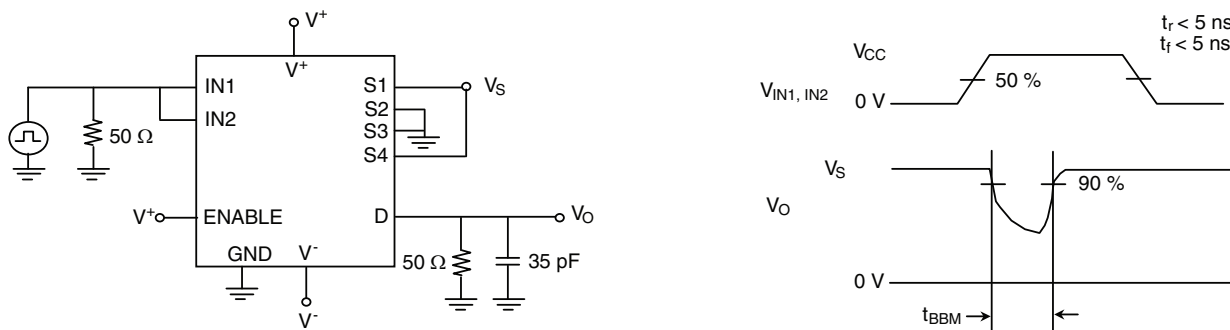


Figure 3. Break-Before Make

TEST CIRCUITS

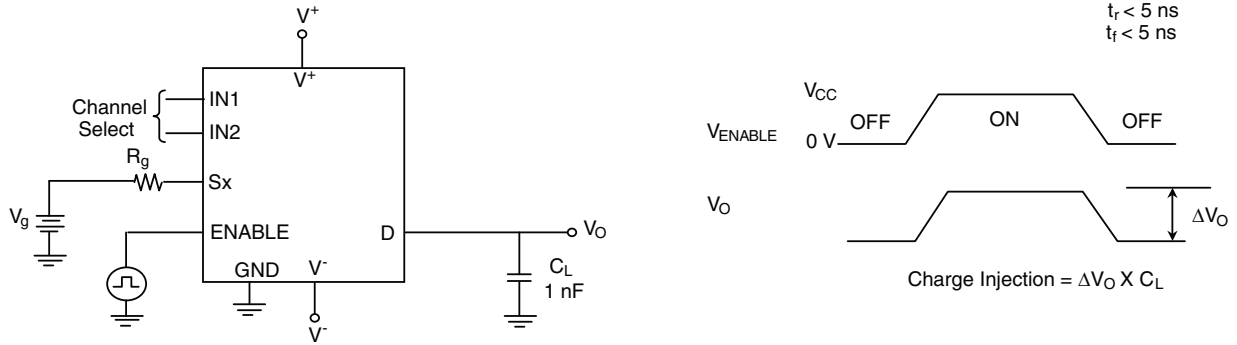


Figure 4. Charge Injection

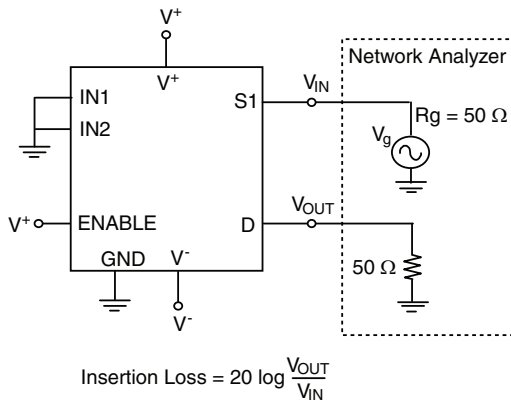


Figure 5. Insertion Loss

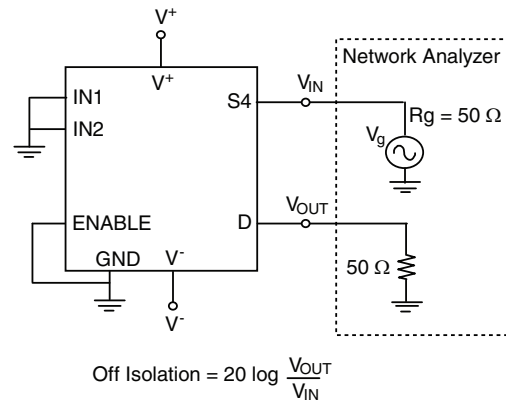


Figure 6. Off-Isolation

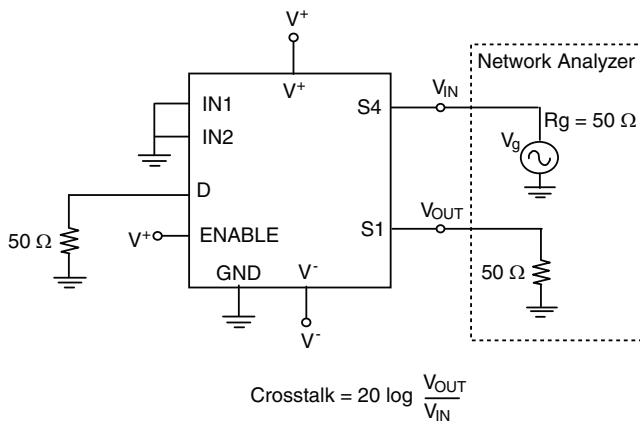


Figure 7. Crosstalk

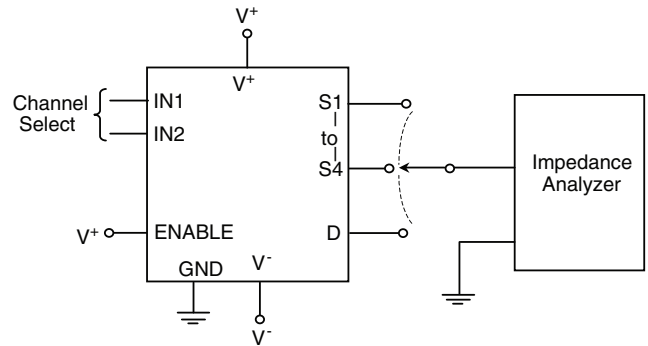
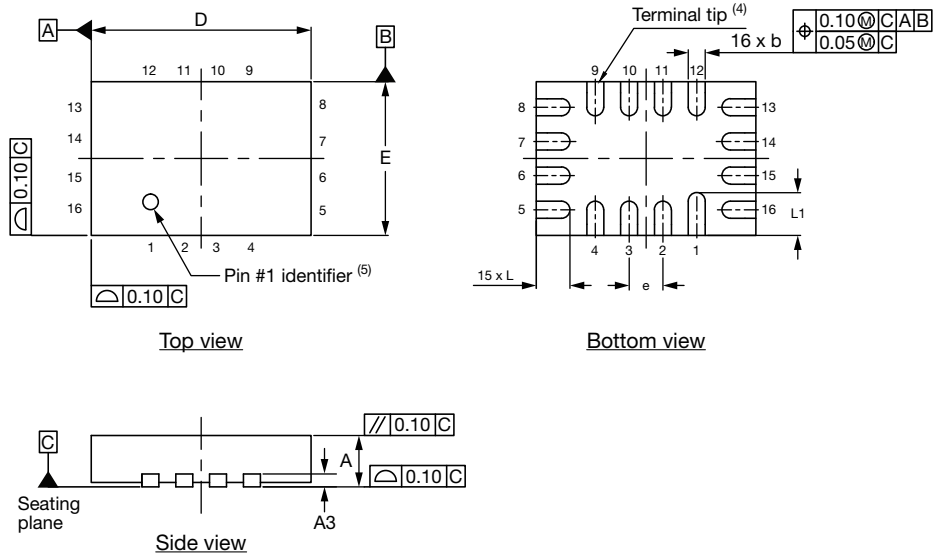


Figure 8. Source, Drain Capacitance

Vishay Siliconix maintains worldwide manufacturing capability. Products may be manufactured at one of several qualified locations. Reliability data for Silicon Technology and Package Reliability represent a composite of all qualified locations. For related documents such as package/tape drawings, part marking, and reliability data, see www.vishay.com/ppg?68397.

Thin miniQFN16 Case Outline



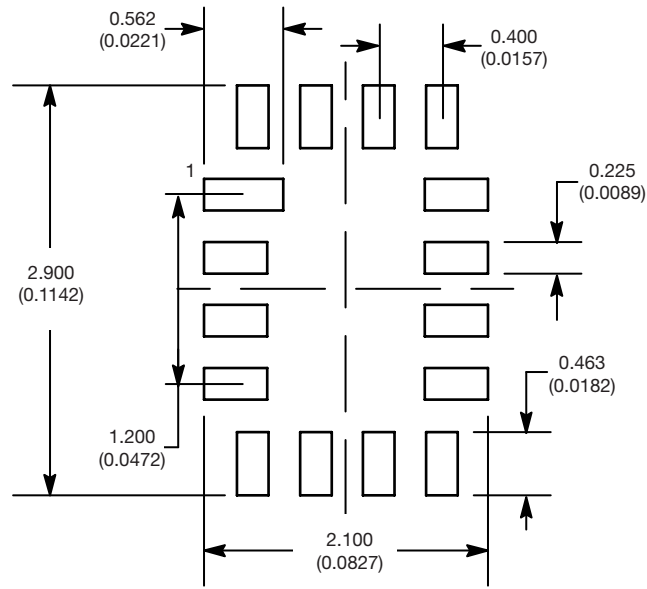
DIMENSIONS	MILLIMETERS ⁽¹⁾			INCHES		
	MIN.	NOM.	MAX.	MIN.	NOM.	MAX.
A	0.50	0.55	0.60	0.020	0.022	0.024
A1	0	-	0.05	0	-	0.002
A3	0.15 ref.			0.006 ref.		
b	0.15	0.20	0.25	0.006	0.008	0.010
D	2.50	2.60	2.70	0.098	0.102	0.106
e	0.40 BSC			0.016 BSC		
E	1.70	1.80	1.90	0.067	0.071	0.075
L	0.35	0.40	0.45	0.014	0.016	0.018
L1	0.45	0.50	0.55	0.018	0.020	0.022
N ⁽³⁾	16			16		
Nd ⁽³⁾	4			4		
Ne ⁽³⁾	4			4		

Notes

- (1) Use millimeters as the primary measurement.
- (2) Dimensioning and tolerances conform to ASME Y14.5M. - 1994.
- (3) N is the number of terminals. Nd and Ne is the number of terminals in each D and E site respectively.
- (4) Dimensions b applies to plated terminal and is measured between 0.15 mm and 0.30 mm from terminal tip.
- (5) The pin 1 identifier must be existed on the top surface of the package by using identification mark or other feature of package body.
- (6) Package warpage max. 0.05 mm.

ECN: T16-0226-Rev. B, 09-May-16
DWG: 6023

RECOMMENDED MINIMUM PADS FOR MINI QFN 16L



Mounting Footprint
Dimensions in mm (inch)



Disclaimer

ALL PRODUCT, PRODUCT SPECIFICATIONS AND DATA ARE SUBJECT TO CHANGE WITHOUT NOTICE TO IMPROVE RELIABILITY, FUNCTION OR DESIGN OR OTHERWISE.

Vishay Intertechnology, Inc., its affiliates, agents, and employees, and all persons acting on its or their behalf (collectively, "Vishay"), disclaim any and all liability for any errors, inaccuracies or incompleteness contained in any datasheet or in any other disclosure relating to any product.

Vishay makes no warranty, representation or guarantee regarding the suitability of the products for any particular purpose or the continuing production of any product. To the maximum extent permitted by applicable law, Vishay disclaims (i) any and all liability arising out of the application or use of any product, (ii) any and all liability, including without limitation special, consequential or incidental damages, and (iii) any and all implied warranties, including warranties of fitness for particular purpose, non-infringement and merchantability.

Statements regarding the suitability of products for certain types of applications are based on Vishay's knowledge of typical requirements that are often placed on Vishay products in generic applications. Such statements are not binding statements about the suitability of products for a particular application. It is the customer's responsibility to validate that a particular product with the properties described in the product specification is suitable for use in a particular application. Parameters provided in datasheets and / or specifications may vary in different applications and performance may vary over time. All operating parameters, including typical parameters, must be validated for each customer application by the customer's technical experts. Product specifications do not expand or otherwise modify Vishay's terms and conditions of purchase, including but not limited to the warranty expressed therein.

Except as expressly indicated in writing, Vishay products are not designed for use in medical, life-saving, or life-sustaining applications or for any other application in which the failure of the Vishay product could result in personal injury or death. Customers using or selling Vishay products not expressly indicated for use in such applications do so at their own risk. Please contact authorized Vishay personnel to obtain written terms and conditions regarding products designed for such applications.

No license, express or implied, by estoppel or otherwise, to any intellectual property rights is granted by this document or by any conduct of Vishay. Product names and markings noted herein may be trademarks of their respective owners.