

CAC42-03W42-28-2X

Rev. 0-2022
RoHS3 & REACH
IP67
Chamber Assembly



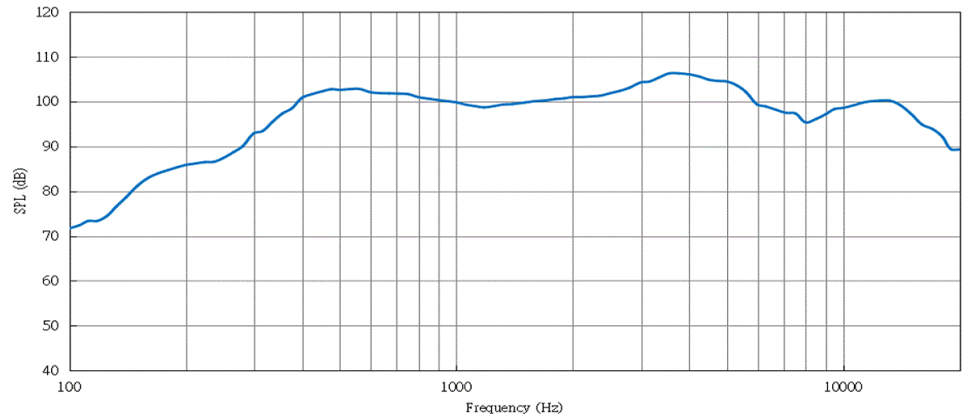
Operating Characteristics

ELECTRICAL

Rated Power	3 W
Short Term Max Power	4 W
Impedance	4 Ω ± 15 % 1000 Hz; 0.25 W

ACOUSTIC

f_0	420 Hz ± 20 % 0.25 W
Freq. Range	100 to 20000 Hz
Rated SPL	100 ± 3 dB
Test Conditions	800, 1000, 1600, 2000 Hz; AVG; 3 W; 10 cm;
Distortion	Max 5 % 1000 Hz; 0.1 W



Physical Characteristics

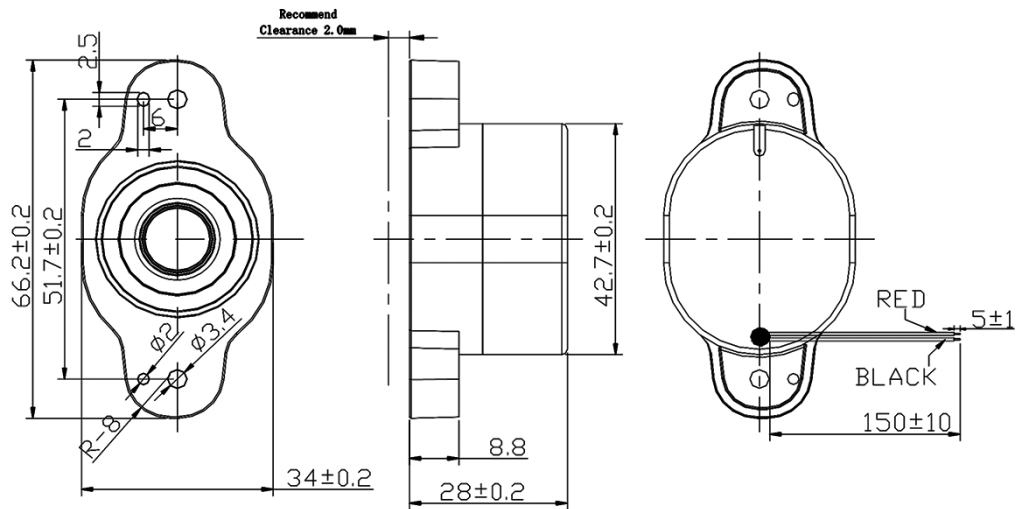
MATERIALS

Chamber Housing	PC
Speaker Housing	PC
Diaphragm	PU+PEI
Magnet	NdFeB
Wire	UL1571, 28 AWG

TEMPERATURE RANGES

Operating	-30 to +85 °C
Storage	-30 to +85 °C

Weight	24 g
Number of Magnets	1
Speaker Part #	CS30-02D40-10-1



General tolerance = ±0.3 mm and all measurements in mm unless otherwise noted.

Revision	Description	By	Date
0-2022	Original Specification	CT	2022-11-22

Warranty: For a period of one (1) year from date of shipping under normal operations conditions. This warranty does not apply to products damaged through misuse, abuse, improper installation, alteration, rework, or attempt to repair.

The information contained herein is believed to be correct, but no guarantee or warranty, express or implied, with respect to accuracy, completeness or results is extended and no liability is assumed. Challenge Electronics reserves the right to make changes in any specification, data or material contained herein.