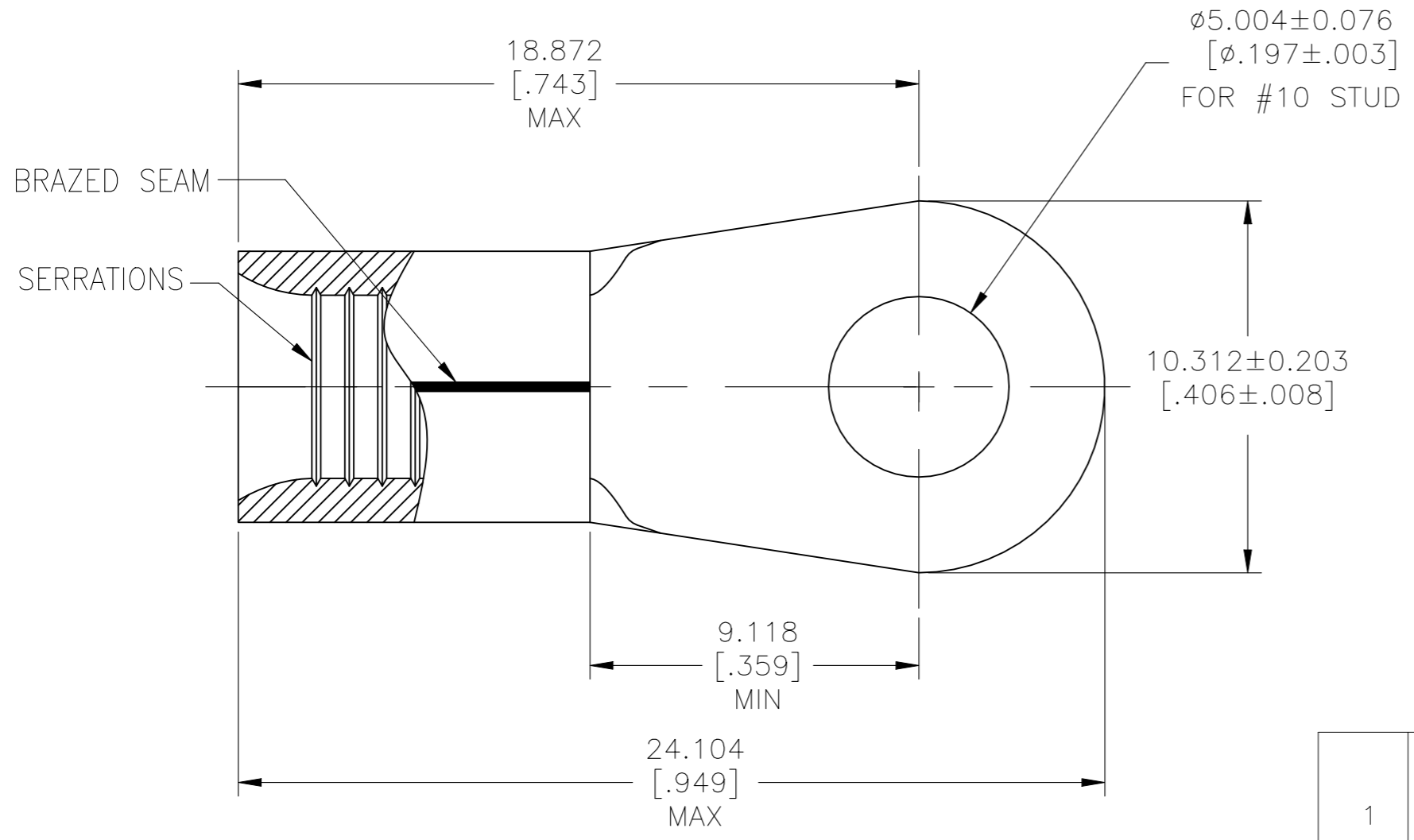


| REVISIONS | | | | | |
|-----------|-----|---------------------------|-----------|-----|------|
| P | LTR | DESCRIPTION | DATE | DWN | APVD |
| | C | REVISED PER ECO-19-009164 | 24JUN2020 | KG | DR |



- 1 WIRE RANGE IS FOR 8 AWG. STANDARD WIRE CROSS SECTIONAL AREA RANGE: 13,100-20,800 CMA, STRANDED WIRE
 - 2 TERMINAL BODY MATERIAL THK IS 1.219±0.076[.048±.003]
 - 3 RECOMMENDED OPERATING TEMP -55°C [131°F] TO +200°C [392°F] FOR HEAT SHRINK TUBING
 - 4 HEAT SHRINK TUBING SHELF LIFE OF 18 MONTHS FROM DATE CODE ON LABEL
- △ 5 TERMINAL BODY PRODUCT SPECIFICATION 108-32046 APPLICATION SPECIFICATION 114-2162

| | | |
|----|-------------|---|
| 1 | 8-1190141-0 | HIGH AND LOW TEMPERATURE CROSS LINKED FLUOROPOLYMER HEAT SHRINK TUBING 9.53[.375]MIN IDX25.400±2.032[1.000±.080] RT555-3/8-0-SP |
| 1 | 323165 | TERMINAL BODY: COPPER PER ASTM B152 ANNEALED FINISH: NICKEL PLATE 0.00762[.000300] MIN EXT THK PER SAE AMS QQ-N-290 |
| -1 | PART NO | DESCRIPTION |

| | | | | | | |
|--|--|------------------------------|---|-----------|------------|---------------|
| THIS DRAWING IS A CONTROLLED DOCUMENT. | | DWN JR RUTH 30JAN04 | STE TE Connectivity | | | |
| DIMENSIONS: mm [INCHES] | | CHK MJ SPICER 08APR04 | | | | |
| TOLERANCES UNLESS OTHERWISE SPECIFIED: | | APVD MJ SPICER 08APR04 | NAME | | | |
| 0 PLC ± - | | PRODUCT SPEC | HEAT RESISTANT TERMINAL KIT WIRE SIZE: 8 AWG | | | |
| 1 PLC ± - | | APPLICATION SPEC | | | | |
| 2 PLC ± - | | WEIGHT | SIZE | CAGE CODE | DRAWING NO | RESTRICTED TO |
| 3 PLC ± 0.127 [.005] | | | A3 | 00779 | C-696633 | - |
| 4 PLC ± - | | | CUSTOMER DRAWING | | | |
| ANGLES ± 1° | | | SCALE | SHEET | REV | |
| MATERIAL SEE TABLE | | FINISH SEE TABLE | 1:1 | 1 OF 1 | C | |