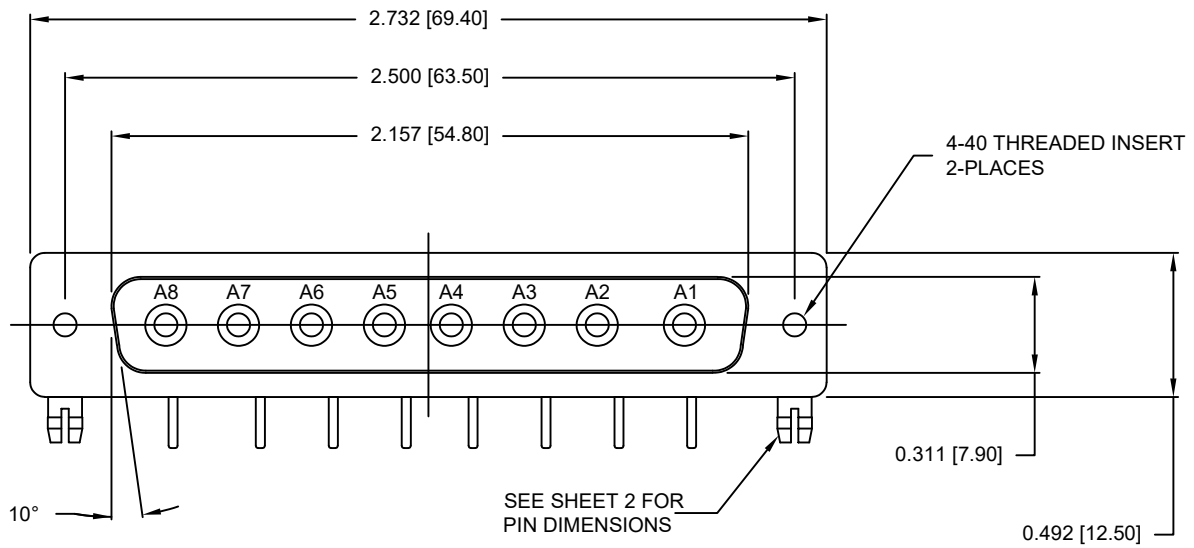


DESCRIPTION: 8W8 // F // COAXIAL // RA PCB MOUNT



SPECIFICATIONS:

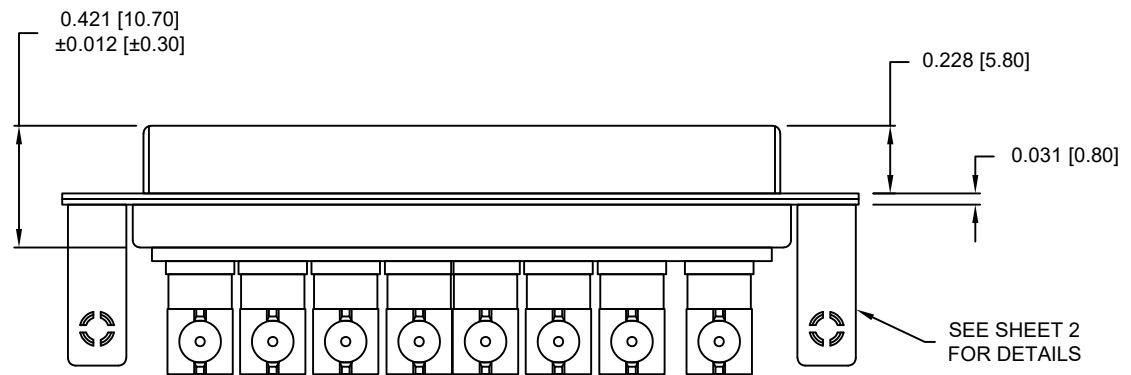
ELECTRICAL:
 INSULATOR RESISTANCE: 5 GOHMS Min.
 OPERATING TEMPERATURE: -55° C ~ +125° C
 CONTACT RESISTANCE: 2.7 Milliohms Max.
 COAXIAL PINS: 50 OHM

MECHANICAL:
 CONTACT INSERTION FORCE: 4.5 Kg Max.
 CONTACT SEPARATOR FORCE: 0.3Kg Min.

MATERIALS:
 CONTACTS: COPPER ALLOY
 INSULATOR: PBT UL94V-0 RATED,
 BLACK
 230°C PROCESS TEMP.
 STEEL

SHELL:

FINISH:
 SHELL: NICKEL
 CONTACTS: FULL GOLD FLASH



685M8W8203L461

46 = 4-40 INSERTS /
 BOARD LOCKS

RoHS COMPLIANT

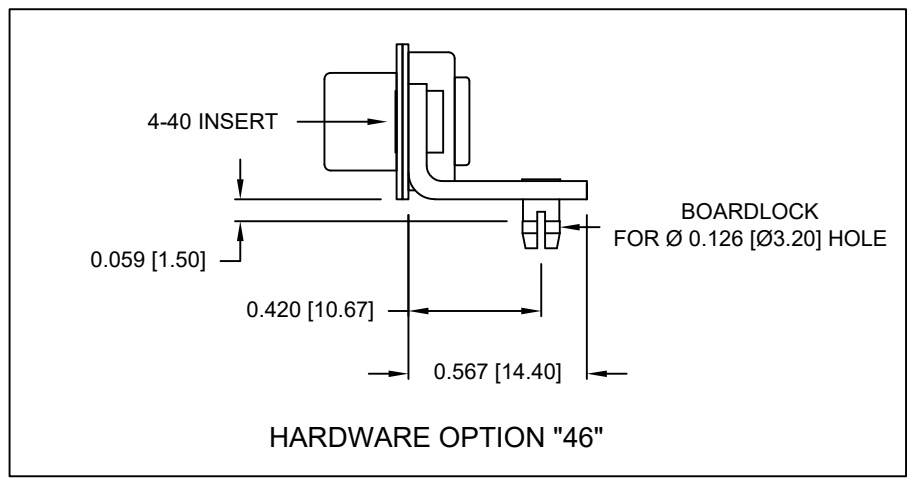
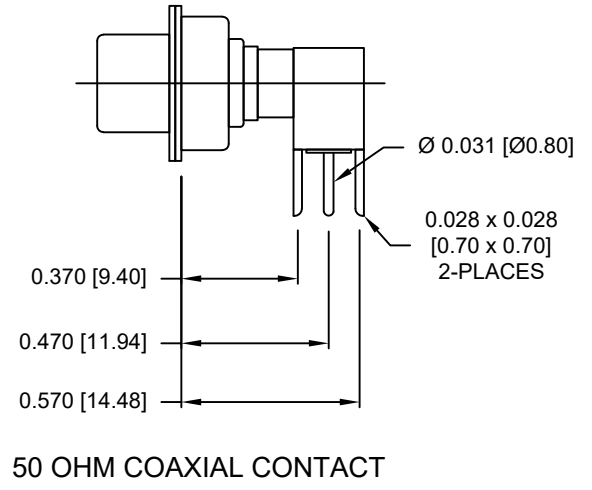
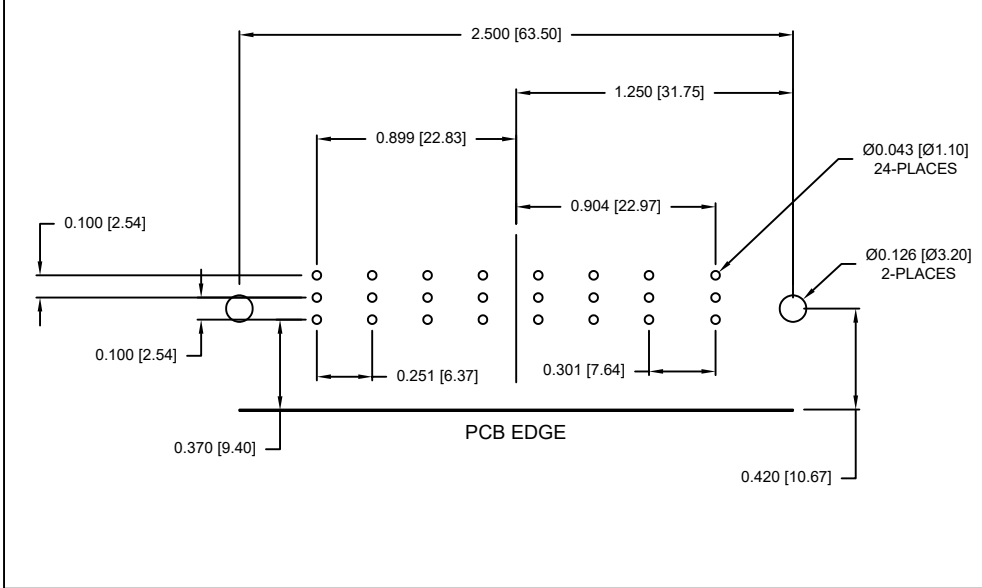
UNITS = INCHES [MM] DO NOT SCALE FROM DRAWING

	THESE DRAWINGS AND SPECIFICATIONS ARE THE PROPERTY OF NorComp AND SHALL NOT BE REPRODUCED, COPIED OR USED AS THE BASIS FOR THE MANUFACTURE OR SALE OF APPARATUS WITHOUT WRITTEN PERMISSION.	DRAWN: M. SIGMON
		DATE: 03/10/2014

NorComp

SCALE: NTS	SHEET 1 OF 2	REV 2
DWG NO: 685M8W8203L461		

**NOTE:
COAXIAL CONTACTS COME
PRE-LOADED INTO INSULATORS**



RoHS COMPLIANT

UNITS = INCHES [MM] DO NOT SCALE FROM DRAWING

	THESE DRAWINGS AND SPECIFICATIONS ARE THE PROPERTY OF NorComp AND SHALL NOT BE REPRODUCED, COPIED OR USED AS THE BASIS FOR THE MANUFACTURE OR SALE OF APPARATUS WITHOUT WRITTEN PERMISSION.	DRAWN: M. SIGMON
		DATE: 03/10/2014

NorComp

SCALE: NTS	SHEET OF 2 2	REV 2
DWG NO: 685M8W8203L461		