

| REVISIONS | | | | | |
|-----------|-----|---------------|-----------|-----|------|
| P | LTR | DESCRIPTION | DATE | DWN | APVD |
| AA1 | | ECO-21-006679 | 16JUN2021 | RK | AS |

- FOR ADDITIONAL SPECIFICATIONS SEE AMP PRODUCT SPEC 108-7519.
- SWITCH HAS MAKE-BEFORE-BREAK OPERATION.
- ALL CHARACTERS AND ROCKERS ARE WHITE, HOUSING IS BLACK.
- LASER MARK WILL VARY ON 2 POSITION SIDES DUE TO SPACE RESTRICTIONS.
- .315 DIMENSION APPLIES AT TERMINAL TIPS. TERMINALS ARE $.300^{+.010}_{-.000}$ AT MOUNTING SURFACE.
- SWITCH POSITIONS ARE CLOSED WHEN ROCKERS ARE DOWN TOWARD DOTS.
- ALL MATERIALS AND FINISHES SHALL COMPLY WITH EU DIRECTIVE 2002/95/EC OF 27JAN2003 (ROHS).
- OBSOLETE PARTS: OBSOLETE CIS STREAMLINING PER D.RENAUD/D.SINISI
- MARKS WILL BE ADDED BY LASER MARK PROCESS.

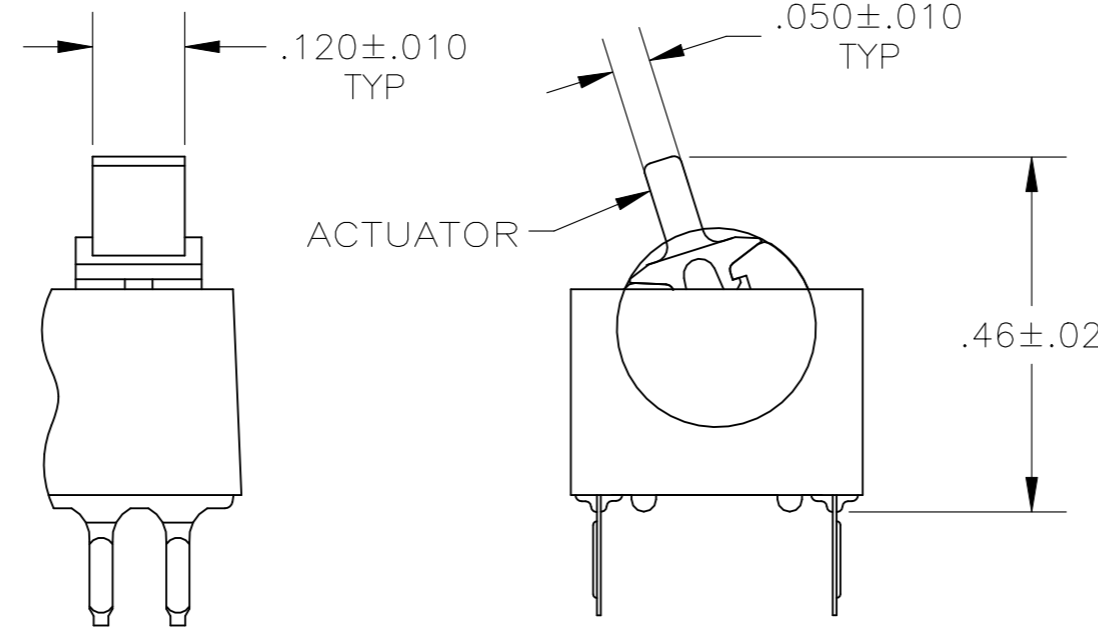
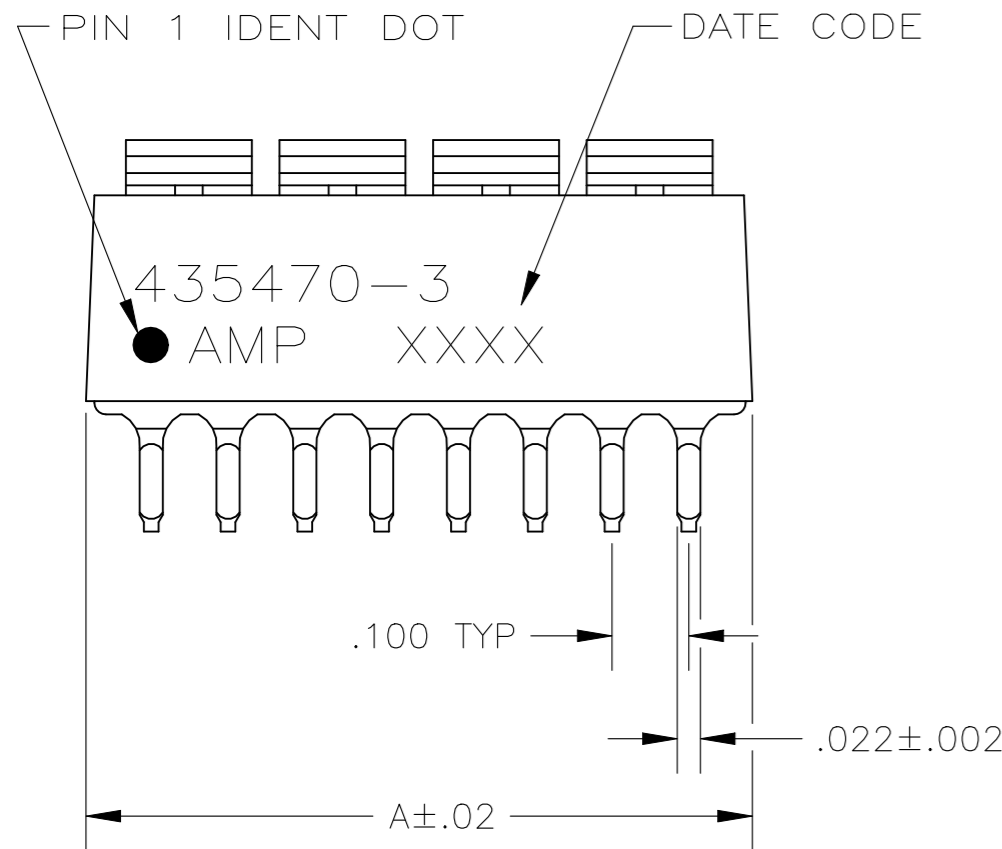
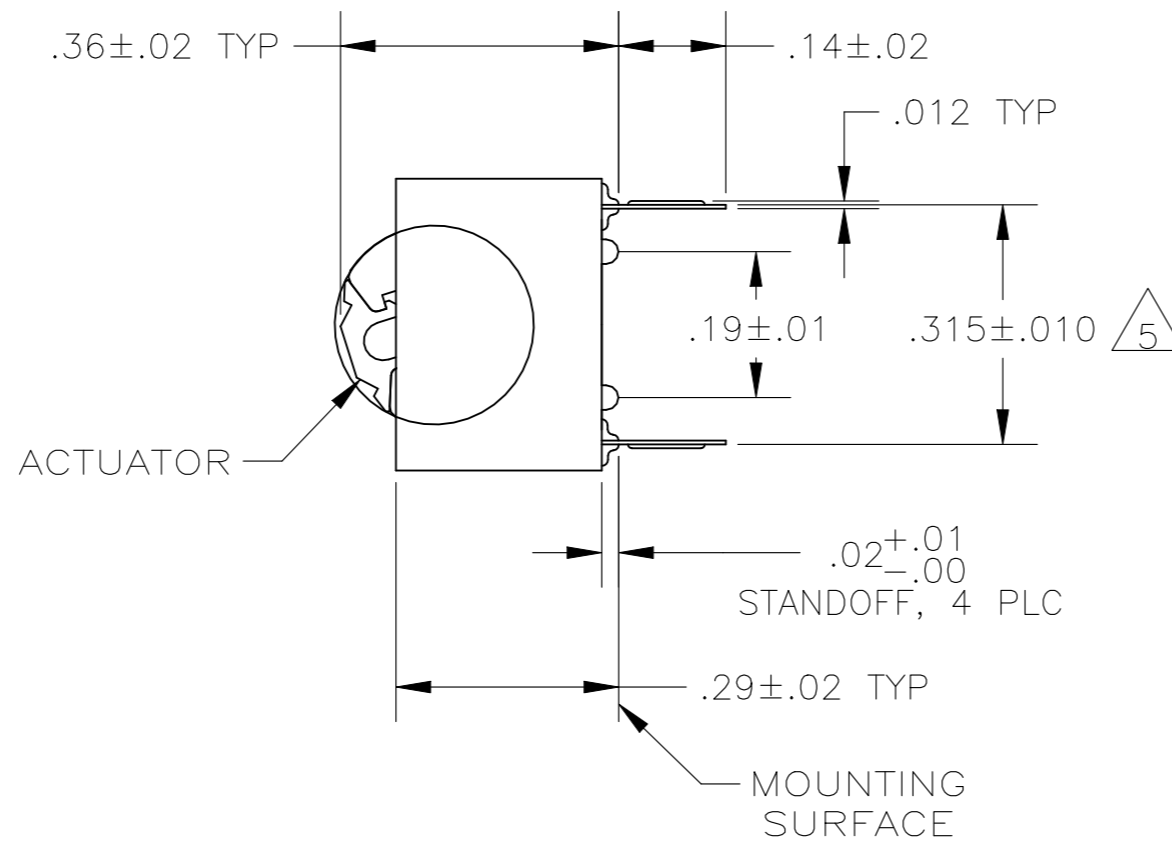
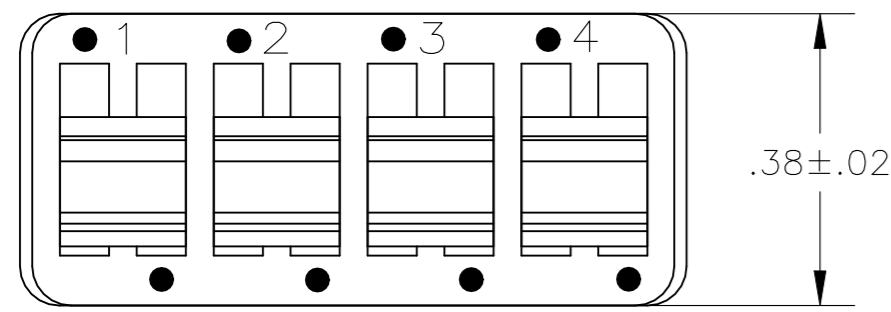


FIGURE 1 LEVER ACTUATOR SHOWN

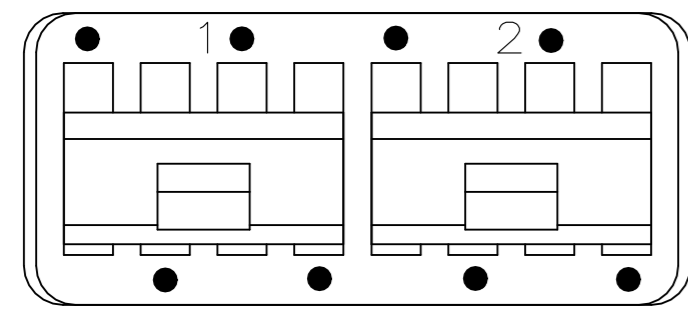


FIGURE 2

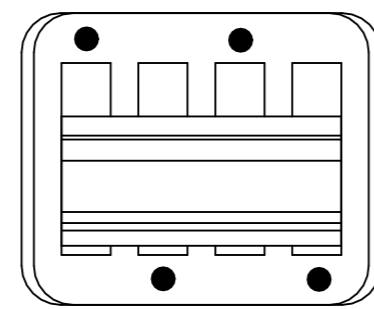


FIGURE 3

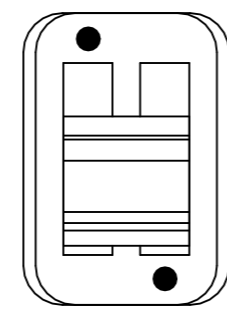
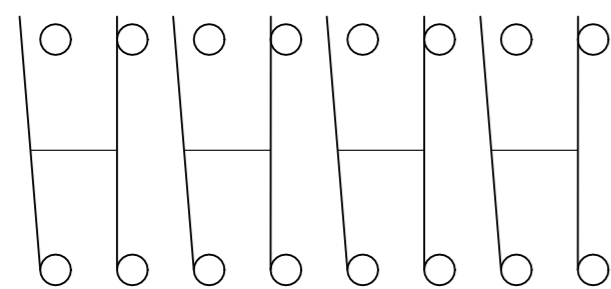
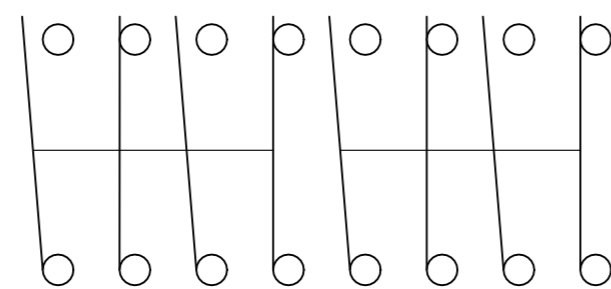


FIGURE 4



SPDT



DPDT

CONTACT ARRANGEMENT

| | FIG 1 | FIG 3 | | | | | |
|--------------------------|------------|----------|------|------|----|------------|---|
| | FIG 1 | FIG 3 | .48 | DPDT | 4 | 8-435470-1 | △ |
| OBSOLETE | -FIG 1 | AS SHOWN | 1.28 | SPDT | 12 | 7-435470-6 | △ |
| | -FIG 1 | AS SHOWN | 1.08 | SPDT | 10 | 7-435470-5 | △ |
| | -FIG 1 | AS SHOWN | .88 | SPDT | 8 | 7-435470-4 | △ |
| | -FIG 1 | AS SHOWN | .48 | SPDT | 4 | 7-435470-2 | △ |
| | FIG 1 | FIG 4 | .28 | SPDT | 2 | 7-435470-1 | △ |
| △ OBSOLETE | AS SHOWN | FIG 2 | .88 | DPDT | 8 | 5-435470-9 | △ |
| | AS SHOWN | FIG 4 | .28 | SPDT | 2 | 5-435470-7 | △ |
| | AS SHOWN | FIG 3 | .48 | DPDT | 4 | 5-435470-5 | △ |
| | AS SHOWN | AS SHOWN | .88 | SPDT | 8 | 5-435470-3 | △ |
| | AS SHOWN | AS SHOWN | .68 | SPDT | 6 | 5-435470-2 | △ |
| | AS SHOWN | AS SHOWN | .48 | SPDT | 4 | 5-435470-1 | △ |
| | FIG 1 | FIG 2 | 1.28 | DPDT | 12 | 3-435470-3 | |
| SUPERSEDED BY 435470-9 | FIG 1 | FIG 2 | .88 | DPDT | 8 | 3-435470-2 | |
| | FIG 1 | FIG 3 | .48 | DPDT | 4 | 3-435470-1 | |
| | FIG 1 | NONE | .88 | SPDT | 8 | 2-435470-7 | |
| △ OBSOLETE | -FIG 1 | AS SHOWN | 1.28 | SPDT | 12 | 2-435470-6 | |
| | -FIG 1 | AS SHOWN | 1.08 | SPDT | 10 | 2-435470-5 | |
| | FIG 1 | AS SHOWN | .88 | SPDT | 8 | 2-435470-4 | |
| △ OBSOLETE | -FIG 1 | AS SHOWN | .68 | SPDT | 6 | 2-435470-3 | |
| | -FIG 1 | AS SHOWN | .48 | SPDT | 4 | 2-435470-2 | |
| | -FIG 1 | FIG 4 | .28 | SPDT | 2 | 2-435470-1 | |
| | AS SHOWN | FIG 2 | .88 | DPDT | 8 | 435470-9 | |
| SUPERSEDED BY 2-435470-6 | AS SHOWN | AS SHOWN | 1.28 | SPDT | 12 | 435470-8 | |
| | AS SHOWN | FIG 4 | .28 | SPDT | 2 | 435470-7 | |
| | AS SHOWN | FIG 3 | .48 | DPDT | 4 | 435470-5 | |
| SUPERSEDED BY 2-435470-5 | AS SHOWN | AS SHOWN | 1.08 | SPDT | 10 | 435470-4 | |
| | AS SHOWN | AS SHOWN | .88 | SPDT | 8 | 435470-3 | |
| | AS SHOWN | AS SHOWN | .68 | SPDT | 6 | 435470-2 | |
| 435470-3 SHOWN | △ OBSOLETE | AS SHOWN | .48 | SPDT | 4 | 435470-1 | |

| | | | | | | | | |
|--|--|--|--------------|-----------|--|-----------------|---------------------|---------------|
| THIS DRAWING IS A CONTROLLED DOCUMENT. | | DWN R.TALLEY 15MAR90 | | | NAME | | | |
| DIMENSIONS: INCHES | | CHK R.MILLER 27MAR90 | | | SWITCH ASSY, DIP, TYPE C, 7000 SERIES, SPDT & DPDT | | | |
| TOLERANCES UNLESS OTHERWISE SPECIFIED: | | APVD H.LEITER 27MAR90 | PRODUCT SPEC | | SIZE A2 | CAGE CODE 00779 | DRAWING NO C=435470 | RESTRICTED TO |
| 0 PLC ± - | | APPLICATION SPEC | - | | SCALE 4:1 | SHEET 1 OF 1 | REV AA1 | |
| 1 PLC ± - | | FINISH CONTACTS; PLATED .00030 MIN GOLD IN CONTACT AREA OVER .00050 MIN NICKEL | WEIGHT - | | CUSTOMER DRAWING | | | |
| 2 PLC ± - | | CONTACTS; BERYLLIUM COPPER | | SCALE 4:1 | | SHEET 1 OF 1 | | |
| 3 PLC ± .005 | | | | SCALE 4:1 | | SHEET 1 OF 1 | | |
| 4 PLC ± - | | | | SCALE 4:1 | | SHEET 1 OF 1 | | |
| ANGLES ± - | | | | SCALE 4:1 | | SHEET 1 OF 1 | | |