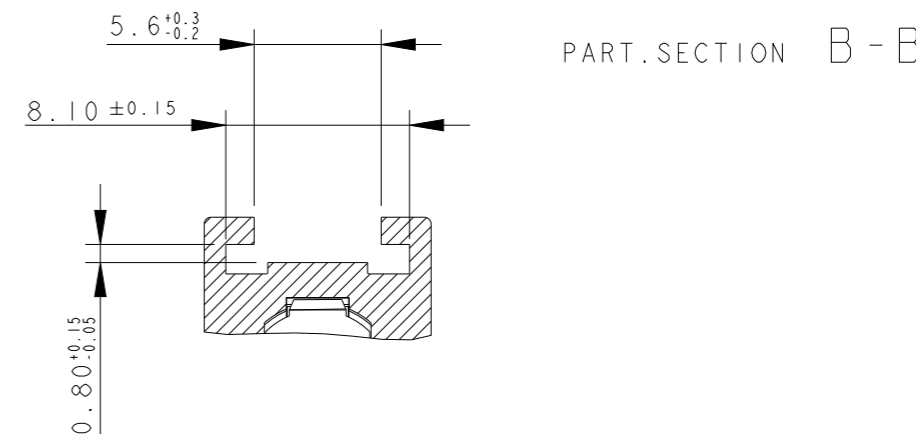
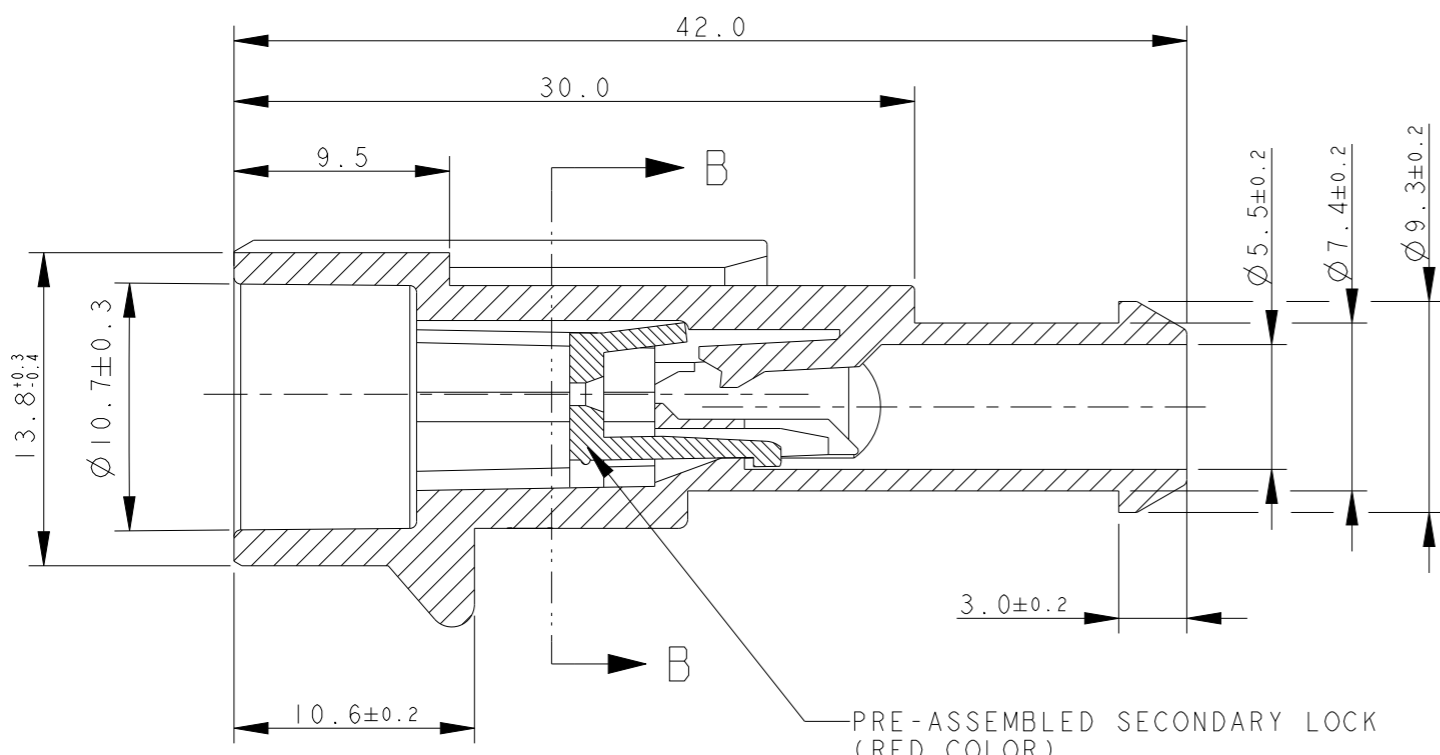
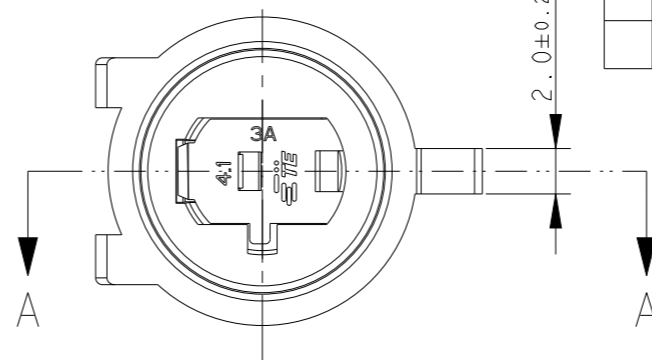
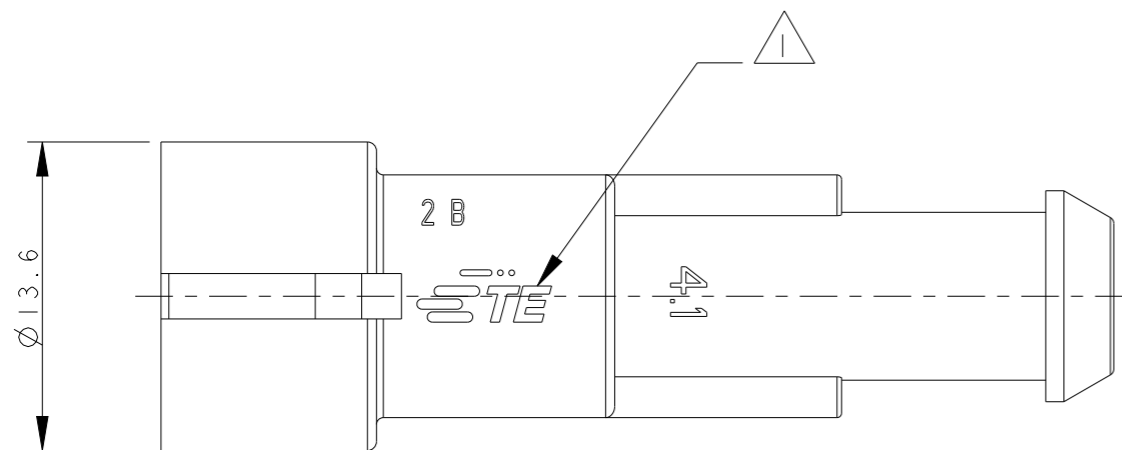


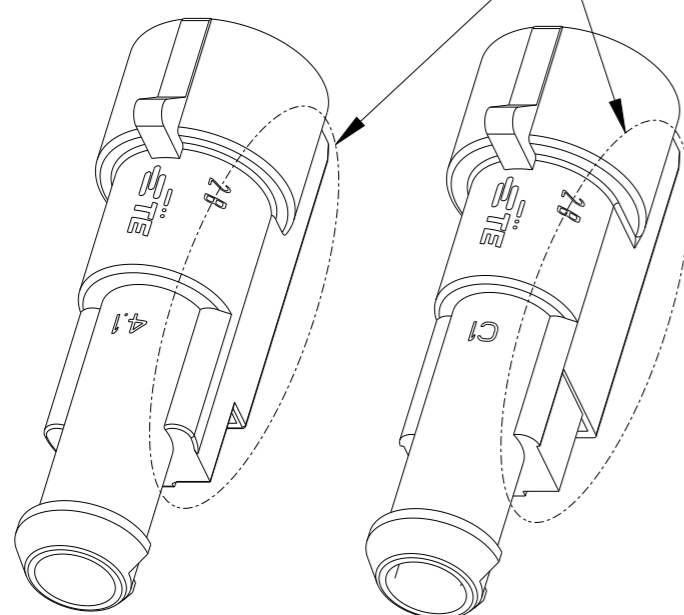
REVISIONS

P	LTR	DESCRIPTION	DATE	DWN	APVD
B1		REVISED (ECO-17-009774)	06SEP2017	M.G.	M.G.
B2		REVISED PER ECO-18-003893	05MAR2018	AP	VN
B3		REVISED PER ECO-20-002019	12FEB2020	AP	VN
B4		REVISED PER ECN-21-110072	21JUL2021	AP	VN




1 TE CONNECTIVITY TRADE MARK, (IN ALTERNATIVE: "AMP" LOGO, OR "Tyco Electronics" LOGO)

OPTIONAL SHAPE OF OUTER PROFILE



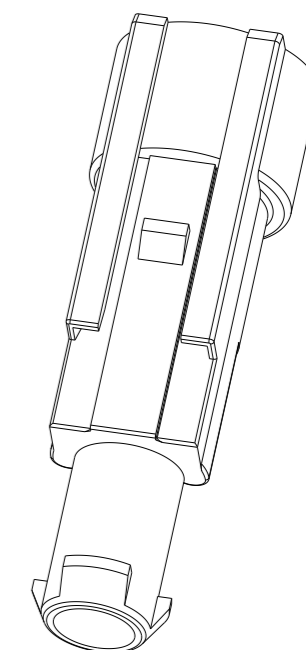
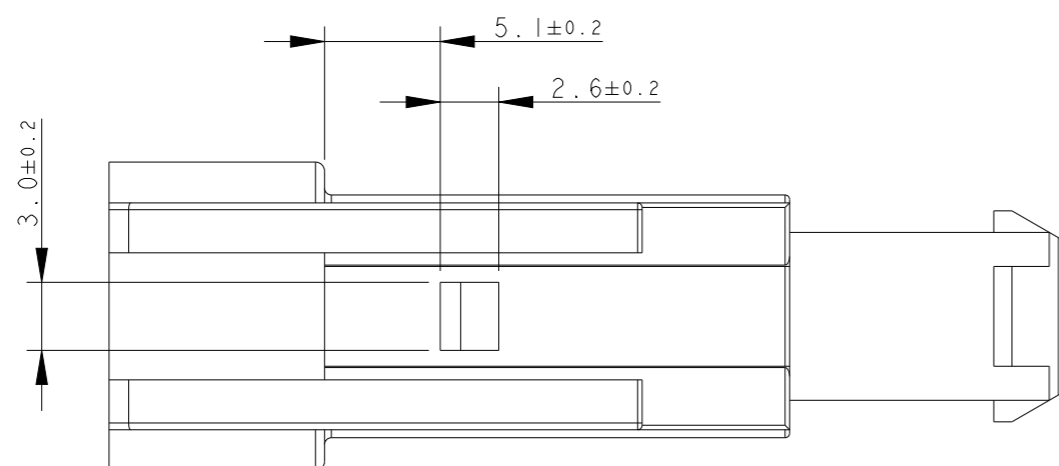
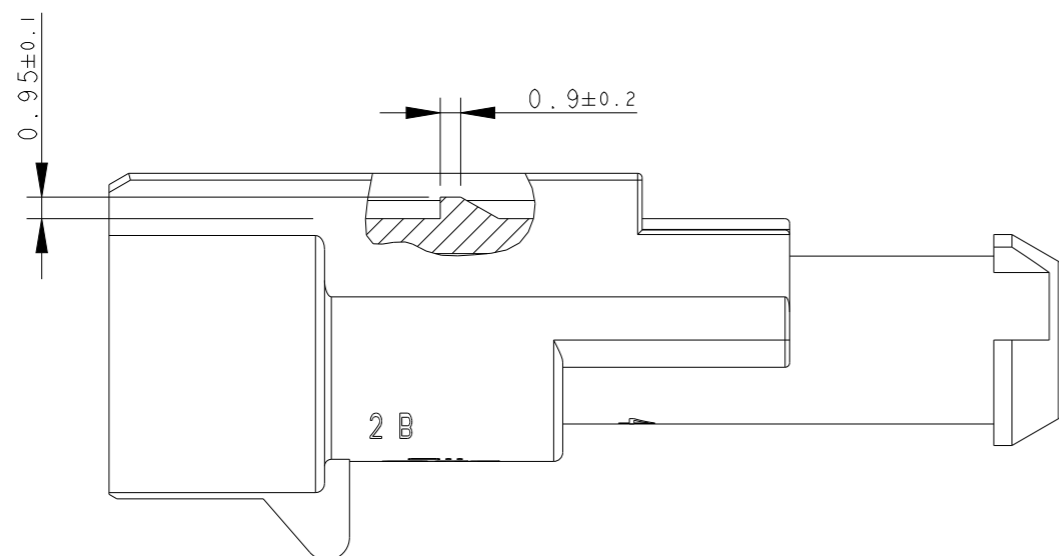
BROWN	PA66-GF	B	4-282103-1
GRAY	PA66-GF	B	282103-2
BLACK	PA66-GF	B	282103-1
FINISH/COLOR	MATERIAL	REV	PART NUMBER

THIS DRAWING IS A CONTROLLED DOCUMENT.		DWN C. BERTINI 02-1990	 TE Connectivity	
DIMENSIONS: mm		CHK A. BRUNI 02-1990		
TOLERANCES UNLESS OTHERWISE SPECIFIED:		APVD -	NAME AMP SUPERSEAL 1.5 SRS. 1 POSITION TAB ASS'Y	
0 PLC \pm -		PRODUCT SPEC 108-20090	SIZE A3	
1 PLC ± 0.3		APPLICATION SPEC 412-20000	CAGE CODE 300779	DRAWING NO C-282103
2 PLC \pm -		WEIGHT 2.83g	RESTRICTED TO -	
3 PLC \pm -		Customer Drawing	SCALE 3:1	SHEET 1 OF 2
4 PLC \pm -				REV B4
ANGLES $\pm 2^\circ$				
FINISH -				
MATERIAL SEE TABLE				
SEE TABLE				

REVISIONS

P	LTR	DESCRIPTION	DATE	DWN	APVD
-	-	SEE SHEET 1	-	-	-

REFER SHEET 1 FOR MISSING DIMENSIONS



4-282103-1 AS SHOWN

THIS DRAWING IS A CONTROLLED DOCUMENT.

DWN C. BERTINI 02-1990

CHK A. BRUNI 02-1990

APVD -

PRODUCT SPEC 108-20090

APPLICATION SPEC 412-20000

WEIGHT 2.83g

NAME AMP SUPERSEAL 1.5 SRS. 1 POSITION TAB ASS'Y

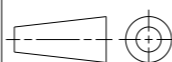
SIZE CAGE CODE DRAWING NO RESTRICTED TO

A300779 C-282103 -



DIMENSIONS: mm

TOLERANCES UNLESS OTHERWISE SPECIFIED:



- 0 PLC ±-
- 1 PLC ± 0.3
- 2 PLC ±-
- 3 PLC ±-
- 4 PLC ±-
- ANGLES ± 2°

MATERIAL - SEE TABLE

FINISH - SEE TABLE

Customer Drawing

SCALE 3:1 SHEET 2 OF 2 REV B4