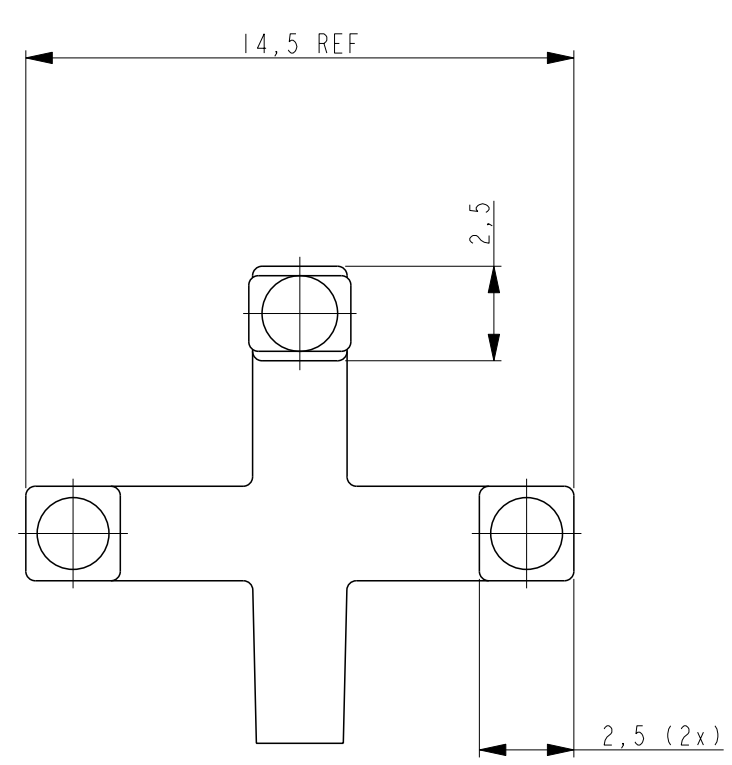
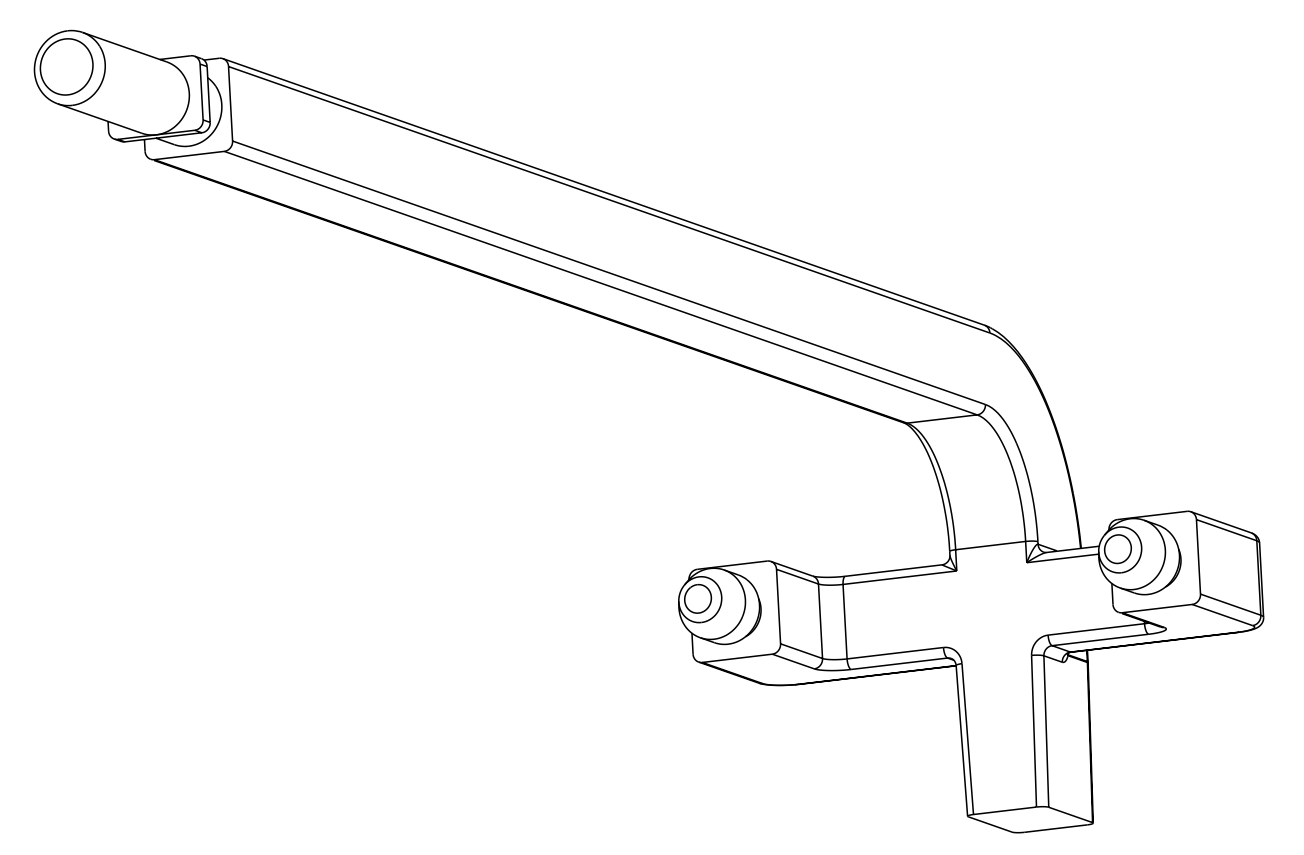


LOC	DIST	REV	DATE	BY	CHKD	APVD
H	-	1	08MAR2012	JvdH	TdB	



NOTE:  
 MATERIAL: POLYCARBONATE, CLEAR



**PRELIMINARY PART**  
 NOT RELEASED FOR PRODUCTION  
 THIS PRODUCT HAS NOT COMPLETED  
 VALIDATION TESTING

2173481-1  
 PART  
 NUMBER

THIS DRAWING IS A CONTROLLED DOCUMENT.		DWN	07 MAR 2012	TE Connectiv	
DIMENSIONS:		CHKD	B MOORE	TE Connectiv	
mm	TOLERANCES UNLESS OTHERWISE SPECIFIED:	APVD	TJ BOER	TE Connectiv	
	9 PLC ±0.5	PRODUCT SPEC		LIGHT PIPE, SINGLE, BEHIND BEZEL,	
	3 PLC ±0.25	APPLICATION SPEC		Z OSFP+	
	5 PLC ±0.1	SIZE	114-32021	CAGE CODE	00779
	4 PLC ±	DRAWING NO		DRAWING NO	2173481
	ANGLES ±	RESTRICTED TO			
	FINISH -	CUSTOMER DRAWING	SCALE	8:1	SHEET 1 OF 1