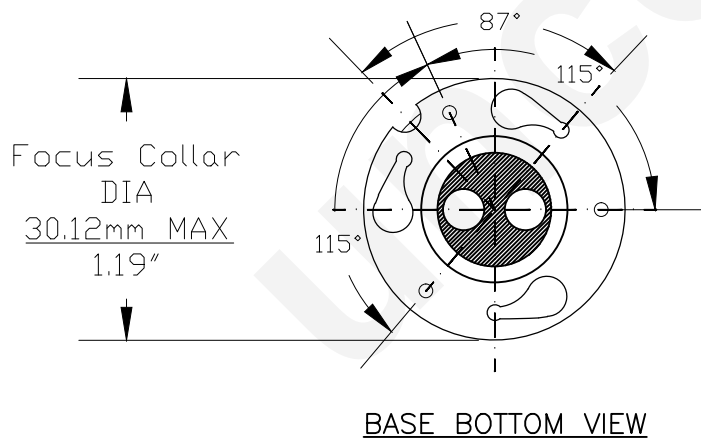
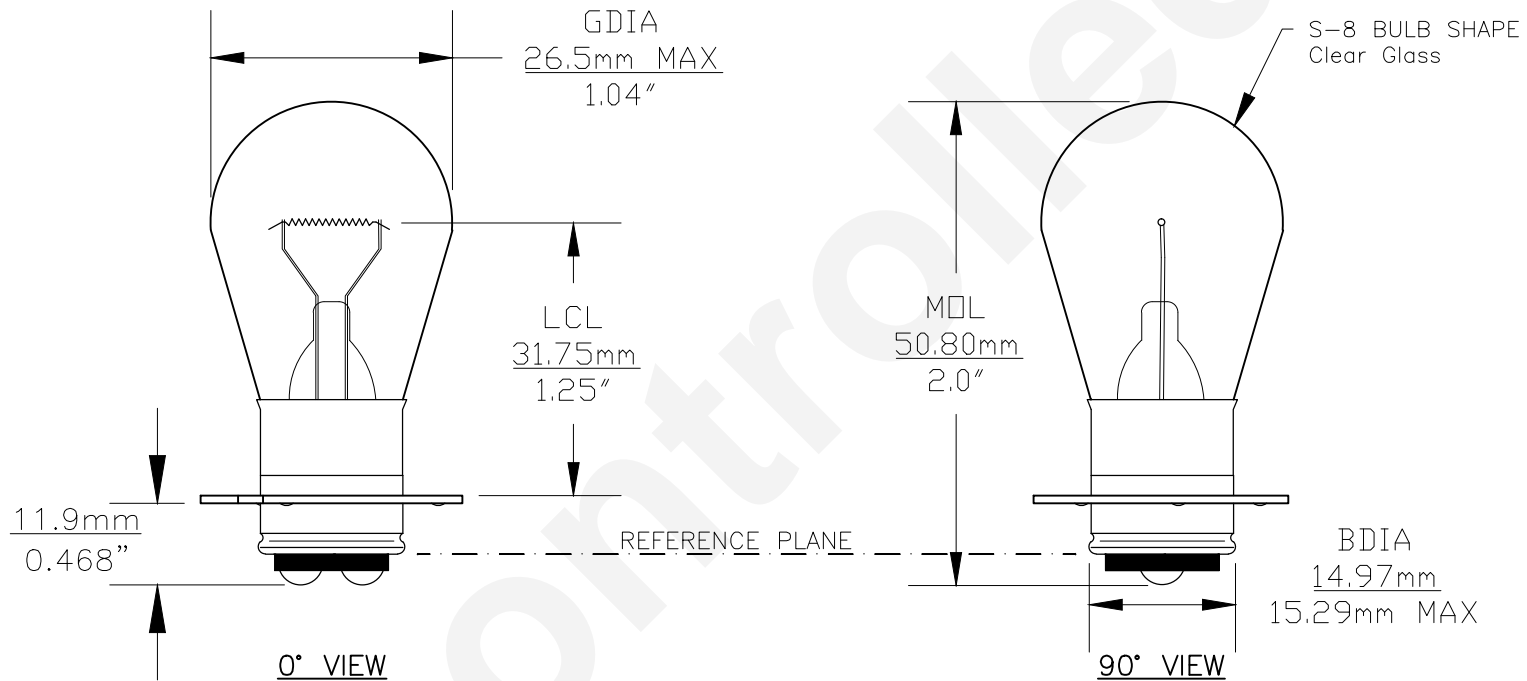




PART NO.	BASE TYPE	DESIGN VOLTS	DESIGN AMPS	MSCD	FILAMENT TYPE	AVERAGE LIFE HOURS
1460X	D.C. Prefocus A (P15d30A)	6.5V	2.75±15%	23.0±30%	C-6	100

REVISIONS			
REV #	DESCRIPTION	DATE	APPROVED
1	ISSUED	11/06/2014	R.M.



Note: Made according to SAE specifications



UNLESS OTHERWISE SPECIFIED: DIMENSIONS ARE IN INCHES TOLERANCES			
DECIMALS	ANGULAR		
.XX ± .05	± 0.5°		
.XXX ± .010			
FRACTIONAL	± 1/64		

CEC INDUSTRIES LTD			
599 BOND STREET		LINCOLNSHIRE, IL 60069	
DRAWN ROSE MEDINA	DATE 11/06/2014	TITLE LIGHT BULB NO. 1460X	
CHECKED	SIZE A	FSCM NO.	DWG NO. 1460X
DESIGN	SCALE	PLOT SCALE	REV 1
MATERIAL	FILE 1460X.pdf	SHEET 1 OF 1	
DRAWING NOT TO SCALE			