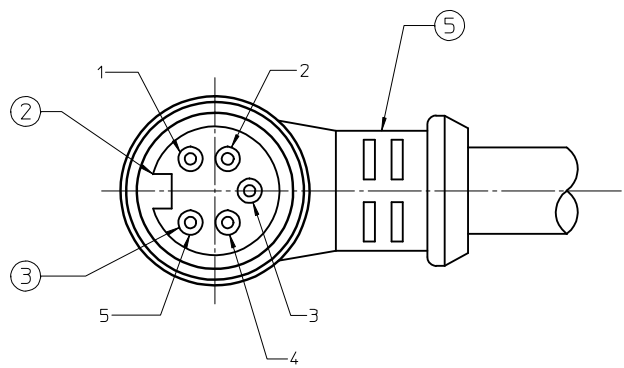
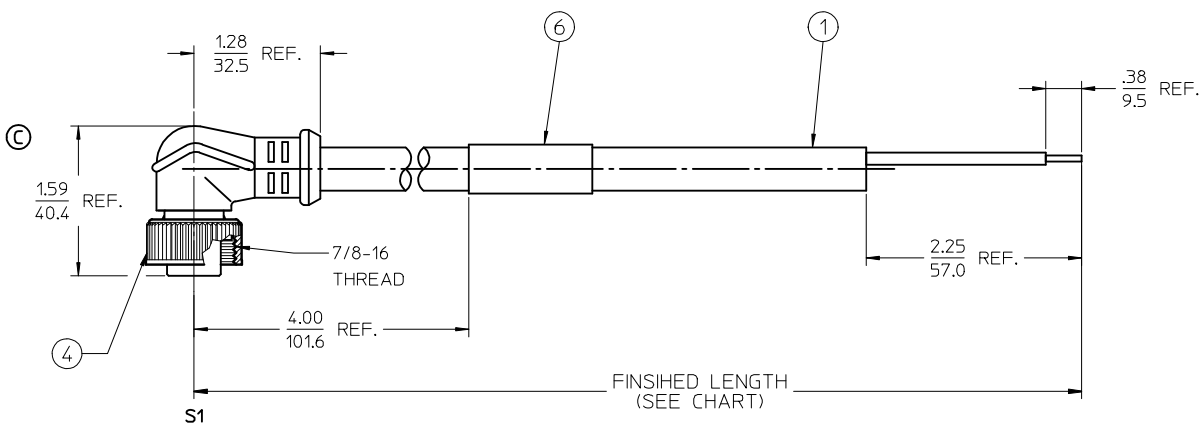


MATERIAL NO.	ENGINEERING NO.	FINISHED LENGTH
1300068135	105001B21M050	16'5" +6.50"-0 (5M +165.1mm-0)
1300068136	105001B21M100	32'10" +12.50"-0 (10M +317.5mm-0)
1300068137	105001B21M200	65'7" +24.50"-0 (20M +622.3mm-0)
1300068138	105001B21M300	98'5" +24.50"-0 (30M +622.3mm-0)
1300068150	105001B21M020	6'7" +3.50"-0 (2M +88.9mm-0)
1300068220	105001B21M015	4'11" +2.19"-0 (1.5M +55.6mm-0)



S1	Color
1	BLACK
2	BLUE
3	GREEN/YELLOW
4	BROWN
5	WHITE

WIRING DIAGRAM

NOTES:
 1. MATERIAL: SEE TABLE
 2. FINISHES: SEE TABLE
 3. ELECTRICAL SPECIFICATIONS
 VOLTAGE RATING: 300V AC/DC
 CURRENT RATING: 8 AMPS
 4. PROTECTION: IP67
 5. ASSEMBLY IS RoHS COMPLIANT BY EXEMPTION

FEMALE FACE VIEW
 SCALE: 2X

ITEM	QTY.	DESCRIPTION	MATERIAL	FINISH
6	1	WRAP LABEL	MYLAR	BLACK/YELLOW
5	1	OVERMOLD	PUR	BLACK
4	1	COUPLING RING-INT THREAD	ZINC DIE-CAST	BLACK
3	5	CONTACT SOCKET	Cu ALLOY	GOLD PLATED
2	1	INSERT, 5P	PUR	BLACK
1	A/R	CABLE 5/C, 1.5mm ² (16 AWG)	PUR JACKET	GRAY

ADDED 1300068220 EC NO: IPG2016-0209 DRWINGGUSTAFSON 2015/08/05 CHKDRSTONE 2015/10/09 APPR:	QUALITY SYMBOLS	GENERAL TOLERANCES (UNLESS SPECIFIED)	DIMENSION STYLE	SCALE	DESIGN UNITS	THIRD ANGLE PROJECTION																																								
	$\nabla=0$ $\nabla=0$	<table border="1"> <thead> <tr> <th></th> <th>mm</th> <th>INCH</th> </tr> </thead> <tbody> <tr> <td>4 PLACES</td> <td>± .005</td> <td>± .0004</td> </tr> <tr> <td>3 PLACES</td> <td>± .005</td> <td>± .0004</td> </tr> <tr> <td>2 PLACES</td> <td>± .005</td> <td>± .0004</td> </tr> <tr> <td>1 PLACE</td> <td>± 0.3</td> <td>± .012</td> </tr> <tr> <td>0 PLACE</td> <td>± .005</td> <td>± .0004</td> </tr> </tbody> </table>		mm	INCH	4 PLACES	± .005	± .0004	3 PLACES	± .005	± .0004	2 PLACES	± .005	± .0004	1 PLACE	± 0.3	± .012	0 PLACE	± .005	± .0004	<table border="1"> <thead> <tr> <th>DRAWN BY</th> <th>DATE</th> </tr> </thead> <tbody> <tr> <td>RSTONE</td> <td>2012/11/12</td> </tr> <tr> <th>CHECKED BY</th> <th>DATE</th> </tr> <tr> <td>K JOZWIK</td> <td>2012/11/26</td> </tr> <tr> <th>APPROVED BY</th> <th>DATE</th> </tr> <tr> <td>JFMURPHY</td> <td>2012/12/18</td> </tr> </tbody> </table>	DRAWN BY	DATE	RSTONE	2012/11/12	CHECKED BY	DATE	K JOZWIK	2012/11/26	APPROVED BY	DATE	JFMURPHY	2012/12/18	1:1	INCH	<table border="1"> <tr> <td colspan="2">TITLE</td> </tr> <tr> <td colspan="2">MINI CHANGE CABLE ASSY.</td> </tr> <tr> <td colspan="2">5P FP 90 DEGREE</td> </tr> <tr> <td colspan="2">1.5MM² (16 AWG) PUR</td> </tr> <tr> <td colspan="2" style="text-align: center;">molex</td> </tr> </table>	TITLE		MINI CHANGE CABLE ASSY.		5P FP 90 DEGREE		1.5MM ² (16 AWG) PUR		molex	
		mm	INCH																																											
	4 PLACES	± .005	± .0004																																											
3 PLACES	± .005	± .0004																																												
2 PLACES	± .005	± .0004																																												
1 PLACE	± 0.3	± .012																																												
0 PLACE	± .005	± .0004																																												
DRAWN BY	DATE																																													
RSTONE	2012/11/12																																													
CHECKED BY	DATE																																													
K JOZWIK	2012/11/26																																													
APPROVED BY	DATE																																													
JFMURPHY	2012/12/18																																													
TITLE																																														
MINI CHANGE CABLE ASSY.																																														
5P FP 90 DEGREE																																														
1.5MM ² (16 AWG) PUR																																														
molex																																														
<table border="1"> <tr> <td>ANGULAR ± 2 °</td> <td>MATERIAL NO.</td> </tr> <tr> <td>DRAFT WHERE APPLICABLE MUST REMAIN WITHIN DIMENSIONS</td> <td>SEE CHART</td> </tr> </table>	ANGULAR ± 2 °	MATERIAL NO.	DRAFT WHERE APPLICABLE MUST REMAIN WITHIN DIMENSIONS	SEE CHART	<table border="1"> <tr> <td>DOCUMENT NO.</td> <td>SHEET NO.</td> </tr> <tr> <td>SD-130006-044</td> <td>1 OF 1</td> </tr> </table>	DOCUMENT NO.	SHEET NO.	SD-130006-044	1 OF 1																																					
ANGULAR ± 2 °	MATERIAL NO.																																													
DRAFT WHERE APPLICABLE MUST REMAIN WITHIN DIMENSIONS	SEE CHART																																													
DOCUMENT NO.	SHEET NO.																																													
SD-130006-044	1 OF 1																																													
THIS DRAWING CONTAINS INFORMATION THAT IS PROPRIETARY TO MOLEX INCORPORATED AND SHOULD NOT BE USED WITHOUT WRITTEN PERMISSION																																														