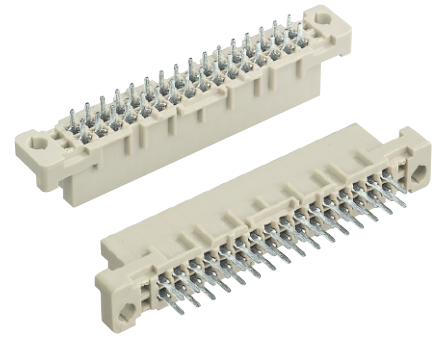


Number of contacts

# 32

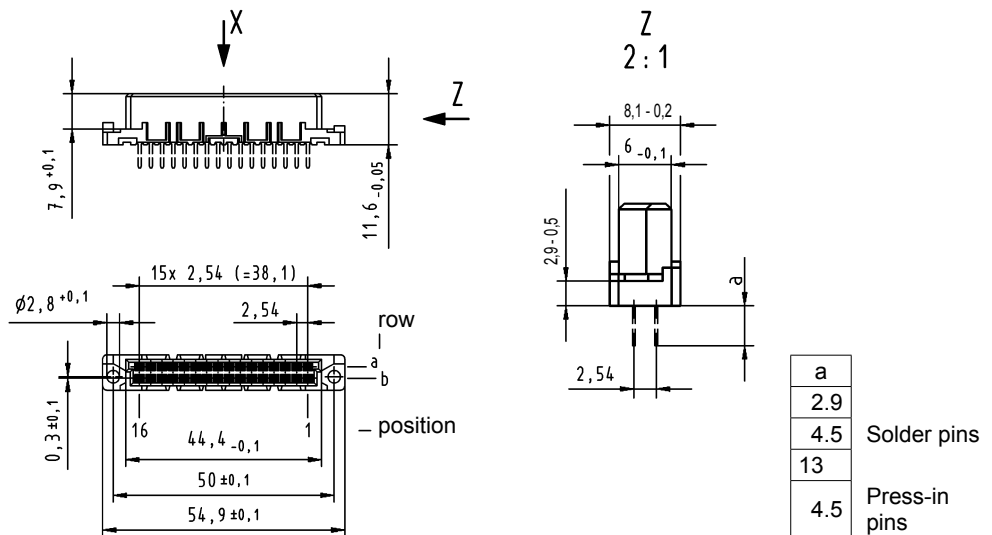


Female connectors

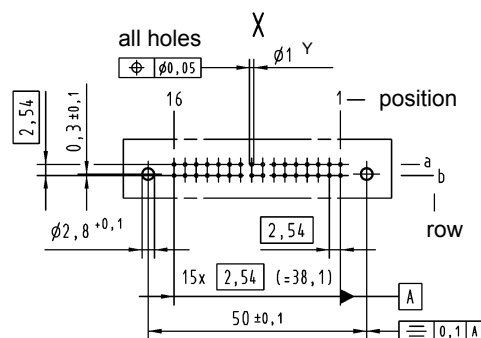
Identification	No. of contacts	Contact arrangement	Part number	Performance levels according to IEC 60603-2. Explanation chapter 00		
				3	2	1
Female connector with solder pins 2.9 mm  THR	32		Performance level 3 on request	09 22 232 6824 09 22 232 6824 222 <sup>f)</sup> 09 22 432 6824 <sup>b)</sup> 09 22 232 6841 <sup>d)</sup>	Performance level 1 on request	
	32					
	4.5 mm					
4.5 mm  THR	32			09 22 232 6825 09 22 232 6825 222 <sup>f)</sup> 09 22 432 6825 <sup>b)</sup> 09 22 232 6829 <sup>d)</sup>		
	32			09 22 232 6421		
13 mm	32			09 22 232 6850		
Female connector with press-in pins 4.5 mm	32					

DIN Signal up to 2 A

Dimensions



Board drillings  
Mounting side



	Y
Solder	1 ± 0.1
Press-in	see recommendation page 00.25

Cross section of solder terminations  
see page 01.13

Dimensions in mm

<sup>b)</sup> Connectors with snap-in clips see chapter 00  
<sup>d)</sup> CTI > 400

<sup>f)</sup> Railway classification NFF 16-101, Smoke index: F1, Flammability class: I2  
Other contact arrangements on request