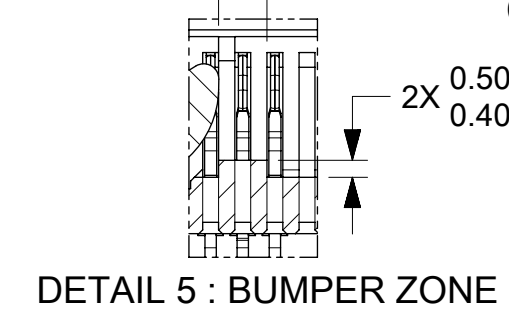
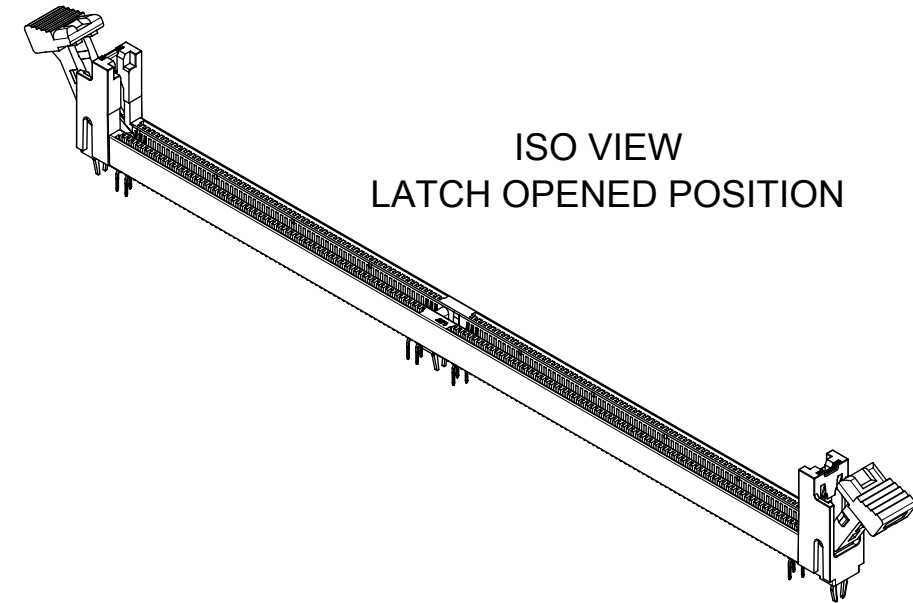
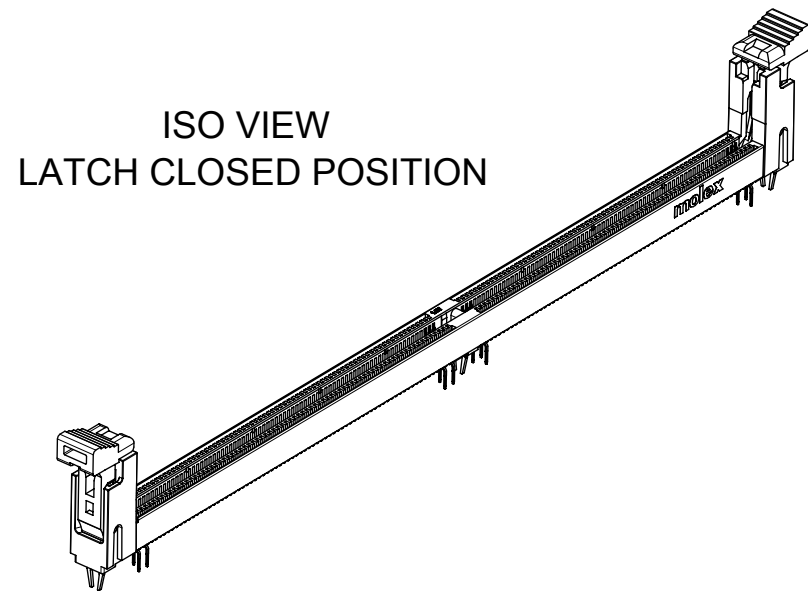
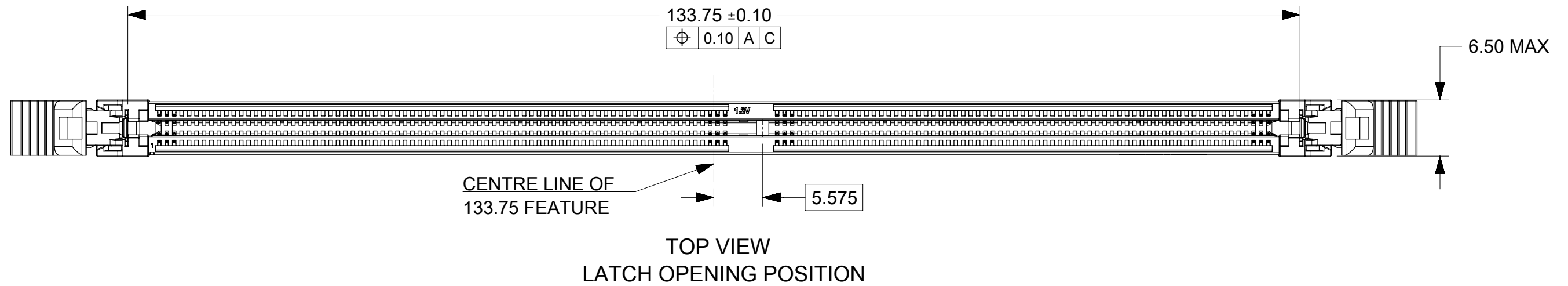


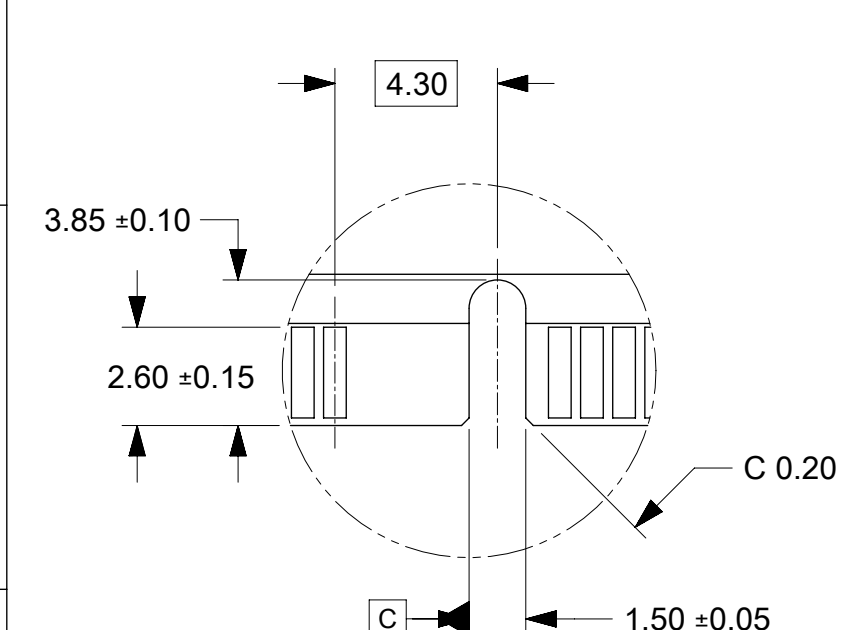
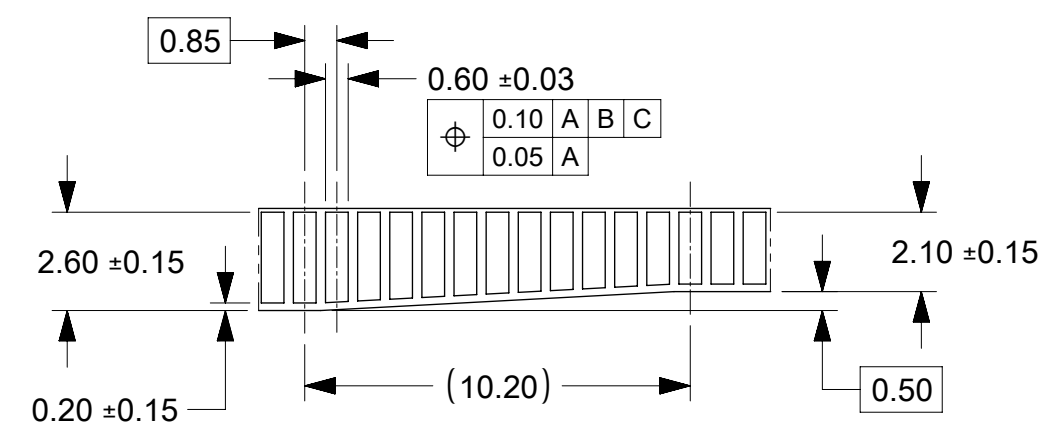
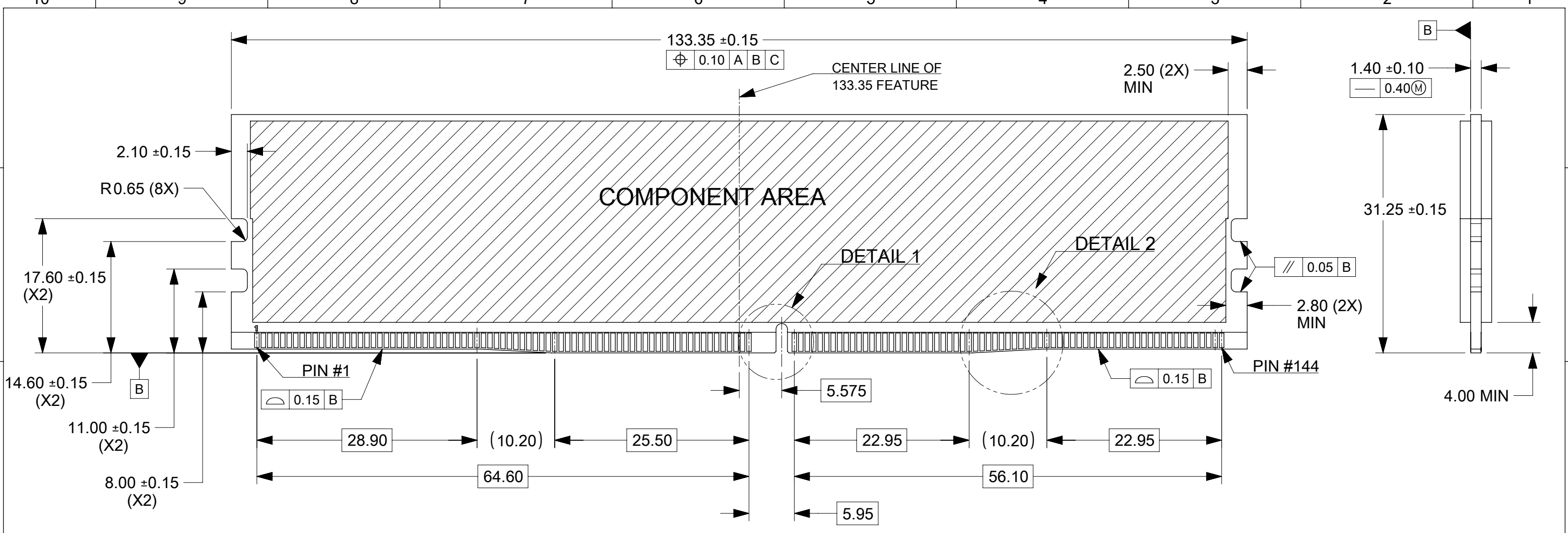
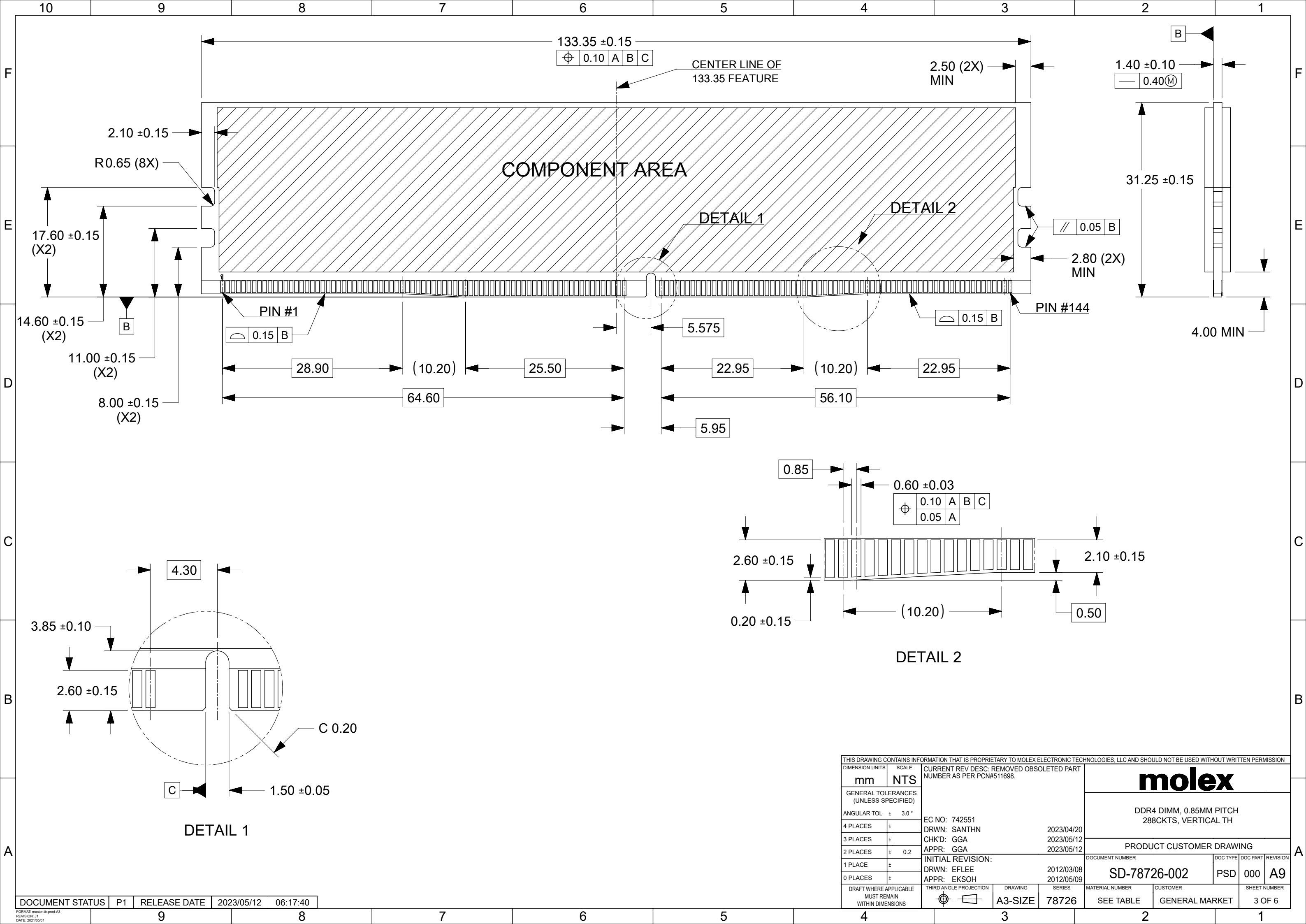
- NOTES:**
- MATERIAL : HOUSING - HALOGEN FREE HIGH TEMP POLYAMIDE, GLASS FILLED, UL94V-0.  
COLOUR : SEE TABLE ON SHEET 5.  
LATCH - HALOGEN FREE HIGH TEMP POLYAMIDE, GLASS FILLED, UL94V-0.  
COLOUR : SEE TABLE ON SHEET 5.  
TERMINAL : COPPER ALLOY.  
FORKLOCK: COPPER ALLOY.
  - FINISHES - SEE TABLE ON SHEET 5.
  - PRODUCT SPECIFICATION : SEE TABLE ON SHEET 5.
  - PACKAGING SPECIFICATION: PRODUCT SHALL BE PACKED IN TRAY, SEE SHEET 5
  - CARD SLOT ACCEPTS 1.40±0.10MM MODULE THICKNESS (MEASURED OVER P.C. PADS).
- ⚠️ MOLEX LOGO, DATE & PART NO. INDICATED ON HOUSING.  
 ⚠️ MODULE SEATING PLANE.  
 ⚠️ KEEP OUT ZONE RESERVED FOR LATCH.  
 ⚠️ KEEP OUT AREA IS THE AREA WHERE THE CONNECTOR (INCLUDES LATCHES IN OPENING POSITION) IS MOUNTED ON THE PCB.
- REFER TO AS-78726-001 FOR CONNECTOR APPLICATION GUIDELINE.
  - REFER TO AS-78726-002 FOR PCB ROUTING RECOMMENDATIONS.



THIS DRAWING CONTAINS INFORMATION THAT IS PROPRIETARY TO MOLEX ELECTRONIC TECHNOLOGIES, LLC AND SHOULD NOT BE USED WITHOUT WRITTEN PERMISSION									
DIMENSION UNITS		SCALE		CURRENT REV DESC: REMOVED OBSOLETE PART NUMBER AS PER PCN#511698.					
mm		NTS		<p>DDR4 DIMM, 0.85MM PITCH 288CKTS, VERTICAL TH</p> <p>PRODUCT CUSTOMER DRAWING</p>					
GENERAL TOLERANCES (UNLESS SPECIFIED)									
ANGULAR TOL ± 3.0°									
4 PLACES ±		EC NO: 742551							
3 PLACES ±		DRWN: SANTHN 2023/04/20							
2 PLACES ± 0.2		CHK'D: GGA 2023/05/12							
1 PLACE ±		APPR: GGA 2023/05/12							
INITIAL REVISION:				DOCUMENT NUMBER		DOC TYPE		DOC PART	
0 PLACES ±		DRWN: EFLEE 2012/03/08		SD-78726-002		PSD		000	
APPR: EKSOH 2012/05/09		SERIES		MATERIAL NUMBER		CUSTOMER		REVISION	
DRAFT WHERE APPLICABLE MUST REMAIN WITHIN DIMENSIONS		THIRD ANGLE PROJECTION		78726		GENERAL MARKET		A9	
		DRAWING		SEE TABLE		GENERAL MARKET		SHEET NUMBER	
		A3-SIZE						1 OF 6	



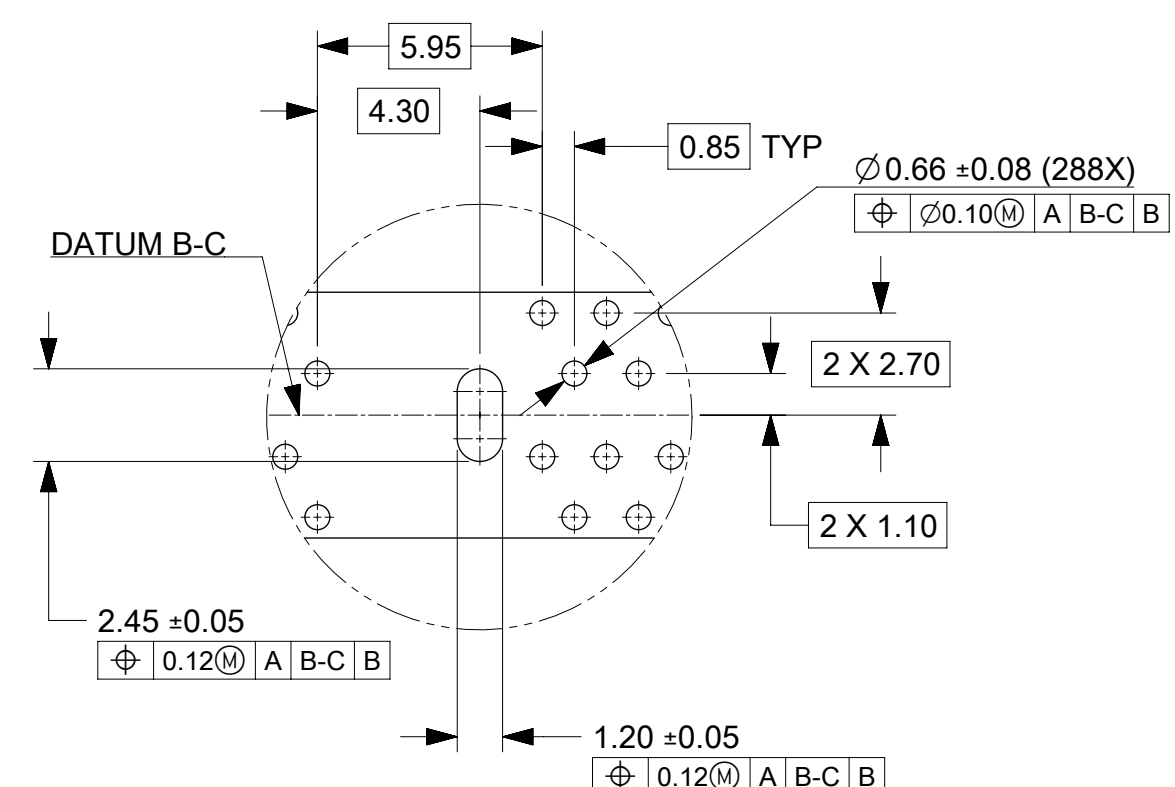
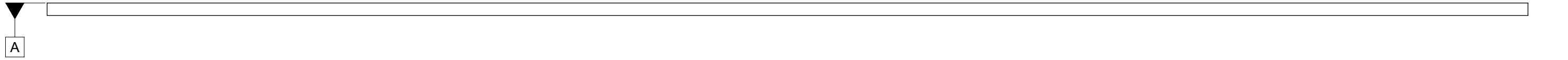
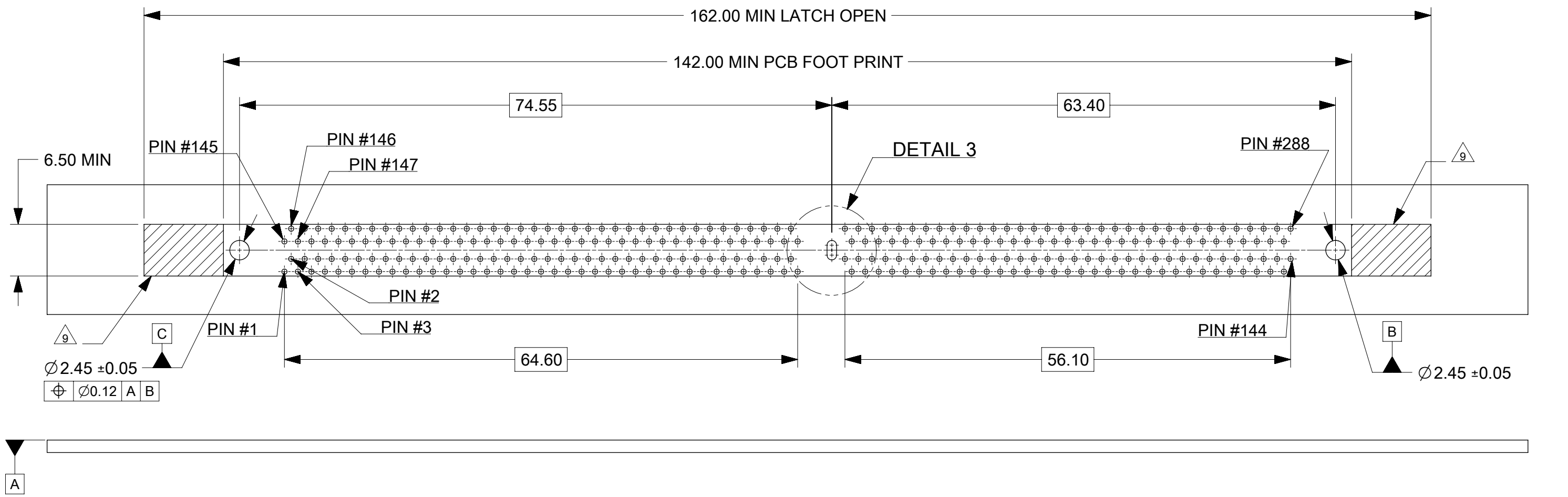
THIS DRAWING CONTAINS INFORMATION THAT IS PROPRIETARY TO MOLEX ELECTRONIC TECHNOLOGIES, LLC AND SHOULD NOT BE USED WITHOUT WRITTEN PERMISSION									
DIMENSION UNITS	SCALE	CURRENT REV DESC: REMOVED OBSOLETE PART NUMBER AS PER PCN#511698.							
mm	NTS								
GENERAL TOLERANCES (UNLESS SPECIFIED)									
ANGULAR TOL	± 3.0 °	DDR4 DIMM, 0.85MM PITCH 288CKTS, VERTICAL TH							
4 PLACES	±	PRODUCT CUSTOMER DRAWING							
3 PLACES	±	EC NO: 742551	DRWN: SANTHN	2023/04/20	DOCUMENT NUMBER <b>SD-78726-002</b> DOC TYPE PSD DOC PART 000 REVISION A9				
2 PLACES	± 0.2	CHK'D: GGA	2023/05/12	APPR: GGA					
1 PLACE	±	INITIAL REVISION:			MATERIAL NUMBER SEE TABLE CUSTOMER GENERAL MARKET SHEET NUMBER 2 OF 6				
0 PLACES	±	DRWN: EFLEE	2012/03/08	APPR: EKSOH					
DRAFT WHERE APPLICABLE MUST REMAIN WITHIN DIMENSIONS		THIRD ANGLE PROJECTION	DRAWING	SERIES					
			A3-SIZE	78726					



THIS DRAWING CONTAINS INFORMATION THAT IS PROPRIETARY TO MOLEX ELECTRONIC TECHNOLOGIES, LLC AND SHOULD NOT BE USED WITHOUT WRITTEN PERMISSION															
DIMENSION UNITS		SCALE		CURRENT REV DESC: REMOVED OBSOLETE PART NUMBER AS PER PCN#511698.											
mm		NTS		 DDR4 DIMM, 0.85MM PITCH 288CKTS, VERTICAL TH											
GENERAL TOLERANCES (UNLESS SPECIFIED)										PRODUCT CUSTOMER DRAWING					
ANGULAR TOL ± 3.0°										EC NO: 742551		2023/04/20		DOCUMENT NUMBER	
4 PLACES ±		DRWN: SANTHN								2023/05/12		SD-78726-002		DOC TYPE DOC PART REVISION	
3 PLACES ±		CHK'D: GGA								2023/05/12		PSD 000		A9	
2 PLACES ± 0.2		APPR: GGA		INITIAL REVISION:		2012/03/08		MATERIAL NUMBER							
1 PLACE ±		DRWN: EFLEE		2012/05/09		78726		CUSTOMER							
0 PLACES ±		APPR: EKSOH		THIRD ANGLE PROJECTION		DRAWING		SHEET NUMBER							
DRAFT WHERE APPLICABLE MUST REMAIN WITHIN DIMENSIONS				THIRD ANGLE PROJECTION		DRAWING		SERIES							
						A3-SIZE		78726							
						SEE TABLE		GENERAL MARKET							
								3 OF 6							

DOCUMENT STATUS	P1	RELEASE DATE	2023/05/12	06:17:40
-----------------	----	--------------	------------	----------

10 9 8 7 6 5 4 3 2 1



DETAIL 3

THIS DRAWING CONTAINS INFORMATION THAT IS PROPRIETARY TO MOLEX ELECTRONIC TECHNOLOGIES, LLC AND SHOULD NOT BE USED WITHOUT WRITTEN PERMISSION									
DIMENSION UNITS		SCALE		CURRENT REV DESC: REMOVED OBSOLETE PART NUMBER AS PER PCN#511698.					
mm		NTS		DDR4 DIMM, 0.85MM PITCH 288CKTS, VERTICAL TH					
GENERAL TOLERANCES (UNLESS SPECIFIED)									
ANGULAR TOL		± 3.0 °		EC NO: 742551		2023/04/20		DOCUMENT NUMBER	
4 PLACES		±		DRWN: SANTHN		2023/05/12		SD-78726-002	
3 PLACES		±		CHK'D: GGA		2023/05/12		PSD 000 A9	
2 PLACES		± 0.2		APPR: GGA		2023/05/12		DOC TYPE DOC PART REVISION	
1 PLACE		±		INITIAL REVISION:		2012/03/08		MATERIAL NUMBER	
0 PLACES		±		DRWN: EFLEE		2012/05/09		CUSTOMER	
DRAFT WHERE APPLICABLE MUST REMAIN WITHIN DIMENSIONS				THIRD ANGLE PROJECTION		DRAWING		SERIES	
						A3-SIZE		78726	
						SEE TABLE		GENERAL MARKET	
								SHEET NUMBER	
								4 OF 6	

DOCUMENT STATUS	P1	RELEASE DATE	2023/05/12	06:17:40
-----------------	----	--------------	------------	----------

9 8 7 6 5 4 3 2 1

F  
E  
D  
C  
B  
A

CKT SIZE	ASSEMBLY PART NO.	HOUSING COLOR	LATCH COLOR	DIM "P"	RECOMMENDED PCB THICKNESS	PLATING OPTION		PRODUCT SPEC. NO.	PACKAGING SPEC. NO.	
						TERMINAL	FORKLOCK			
288	78726-1051	BLACK	BLACK	2.10	1.57	0.76 MICROMETER (30 MICROINCH) MIN GOLD ON CONTACT	1 MICROMETER (40 MICROINCH) MIN TIN OVERALL (PRE-PLATED)	PS-78726-001	PK-78726-001	
	78726-1039			2.40	1.57					
	78726-1002			2.67	1.57					
	78726-1003			3.18	2.36					
	78726-1026			3.50	3.00					
	78726-1040	BLACK	WHITE	2.40	1.57					
	78726-1004			2.67	1.57					
	78726-1005			3.18	2.36					
	78726-1041	WHITE	BLACK	2.40	1.57					
	78726-1054	WHITE	WHITE	2.10	1.57					
	78726-1042			2.40	1.57					
	78726-1029			3.50	3.00					
	78726-1055			2.10	1.57					
	78726-1043	BLUE	BLUE	2.40	1.57					
	78726-1010			2.67	1.57					
	78726-1011			3.18	2.36					
	78726-1030			3.50	3.00					
	78726-1023			BLUE	WHITE				3.18	2.36
	78726-1064	YELLOW	WHITE	2.40	1.57					
	78726-0081	BLACK	BLACK	3.18	2.36					
78726-3005	WHITE			3.18	2.36					
78726-3052				2.10	1.57					
78726-4039				BLACK	2.40	1.57				
78726-4040				WHITE	2.40	1.57				
									787260003	
										2042450002

THIS DRAWING CONTAINS INFORMATION THAT IS PROPRIETARY TO MOLEX ELECTRONIC TECHNOLOGIES, LLC AND SHOULD NOT BE USED WITHOUT WRITTEN PERMISSION

DIMENSION UNITS	SCALE	CURRENT REV DESC: REMOVED OBSOLETE PART NUMBER AS PER PCN#511698.	<b>molex</b>		
mm	NTS				
GENERAL TOLERANCES (UNLESS SPECIFIED)		EC NO: 742551 DRWN: SANTHN 2023/04/20 CHK'D: GGA 2023/05/12 APPR: GGA 2023/05/12	DDR4 DIMM, 0.85MM PITCH 288CKTS, VERTICAL TH		
ANGULAR TOL	± 3.0 °		PRODUCT CUSTOMER DRAWING		
4 PLACES	±		DOCUMENT NUMBER		
3 PLACES	±		SD-78726-002		
2 PLACES	± 0.2		DOC TYPE		
1 PLACE	±		PSD		
0 PLACES	±	DOC PART			
DRAFT WHERE APPLICABLE MUST REMAIN WITHIN DIMENSIONS		THIRD ANGLE PROJECTION		DRAWING	SHEET NUMBER
				A3-SIZE	5 OF 6
		SERIES		MATERIAL NUMBER	CUSTOMER
		78726		SEE TABLE	GENERAL MARKET

CKT SIZE	ASSEMBLY PART NO.	HOUSING COLOR	LATCH COLOR	DIM "P"	RECOMMENDED PCB THICKNESS	PLATING OPTION		PRODUCT SPEC. NO.	PACKAGING SPEC. NO.
						TERMINAL	FORKLOCK		
288	78726-1045	BLACK	BLACK	2.40	1.57	0.38 MICROMETER (15 MICROINCH) MIN GOLD ON CONTACT	1 MICROMETER (40 MICROINCH) MIN TIN OVERALL (PRE-PLATED)	PS-78726-002	PK-78726-001
	78726-1012			2.67	1.57				
	78726-1013			3.18	2.36				
	78726-1032			3.50	3.00				
	78726-1046	BLACK	WHITE	2.40	1.57				
	78726-1033			3.50	3.00				
	78726-1059	WHITE	BLACK	2.10	1.57				
	78726-1047			2.40	1.57				
	78726-1048	WHITE	WHITE	2.40	1.57				
	78726-1018			2.67	1.57				
	78726-1035			3.50	3.00				
	78726-1049			2.40	1.57				
	78726-1020	BLUE	BLUE	2.67	1.57				
	78726-1021			3.18	2.36				
	78726-1036	BLUE	WHITE	3.50	3.00				
	78726-1050			2.40	1.57				
	78726-1037			3.50	3.00				
	78726-1072			3.50	3.00				
	78726-3012	BLACK	BLACK	2.67	1.57				
	78726-3032			3.50	3.00				
78726-3020	BLUE	BLUE	2.67	1.57					
78726-3036			3.50	3.00					
									787260003

THIS DRAWING CONTAINS INFORMATION THAT IS PROPRIETARY TO MOLEX ELECTRONIC TECHNOLOGIES, LLC AND SHOULD NOT BE USED WITHOUT WRITTEN PERMISSION

DIMENSION UNITS	SCALE	CURRENT REV DESC: REMOVED OBSOLETE PART NUMBER AS PER PCN#511698.		<b>molex</b>				
mm	NTS							
GENERAL TOLERANCES (UNLESS SPECIFIED)				DDR4 DIMM, 0.85MM PITCH 288CKTS, VERTICAL TH				
ANGULAR TOL	±	3.0 °			PRODUCT CUSTOMER DRAWING			
4 PLACES	±		EC NO: 742551					
3 PLACES	±		DRWN: SANTHN	2023/04/20				
2 PLACES	±	0.2	CHK'D: GGA	2023/05/12				
1 PLACE	±		APPR: GGA	2023/05/12				
0 PLACES	±		INITIAL REVISION:					
DRAFT WHERE APPLICABLE MUST REMAIN WITHIN DIMENSIONS			DRWN: EFLEE	2012/03/08	DOCUMENT NUMBER		REVISION	
			APPR: EKSOH	2012/05/09	SD-78726-002		A9	
THIRD ANGLE PROJECTION		DRAWING	SERIES	MATERIAL NUMBER	CUSTOMER	SHEET NUMBER		
		A3-SIZE	78726	SEE TABLE	GENERAL MARKET	6 OF 6		