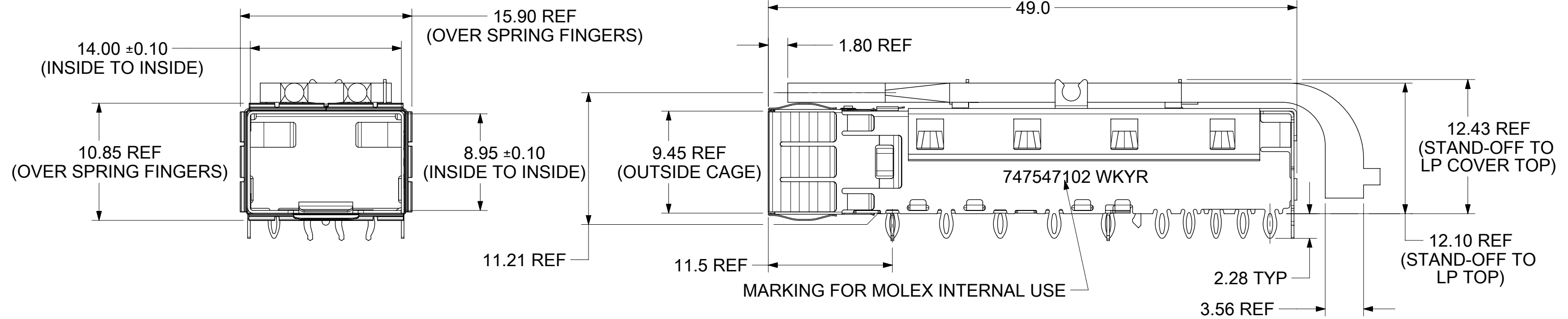


P/N AND WEEK /YEAR DATE CODE TO BE PRINTED OR LASERED ON SIDE OF COMPLETED CAGE ASSEMBLY APPROXIMATELY AS SHOWN. SEE TABLE BELOW FOR DATE CODE INFORMATION

| WEEK/YEAR DATE CODE TABLE | |
|---------------------------|--|
| WK | 01 THRU 52 OR 53 EXAMPLE: 01 = FIRST WEEK OF YEAR 52 = LAST WEEK OF YEAR |
| YR | LAST TWO DIGITS OF THE YEAR, 23, 24, 25 ETC. EXAMPLE: YEAR 2023 = 23 |



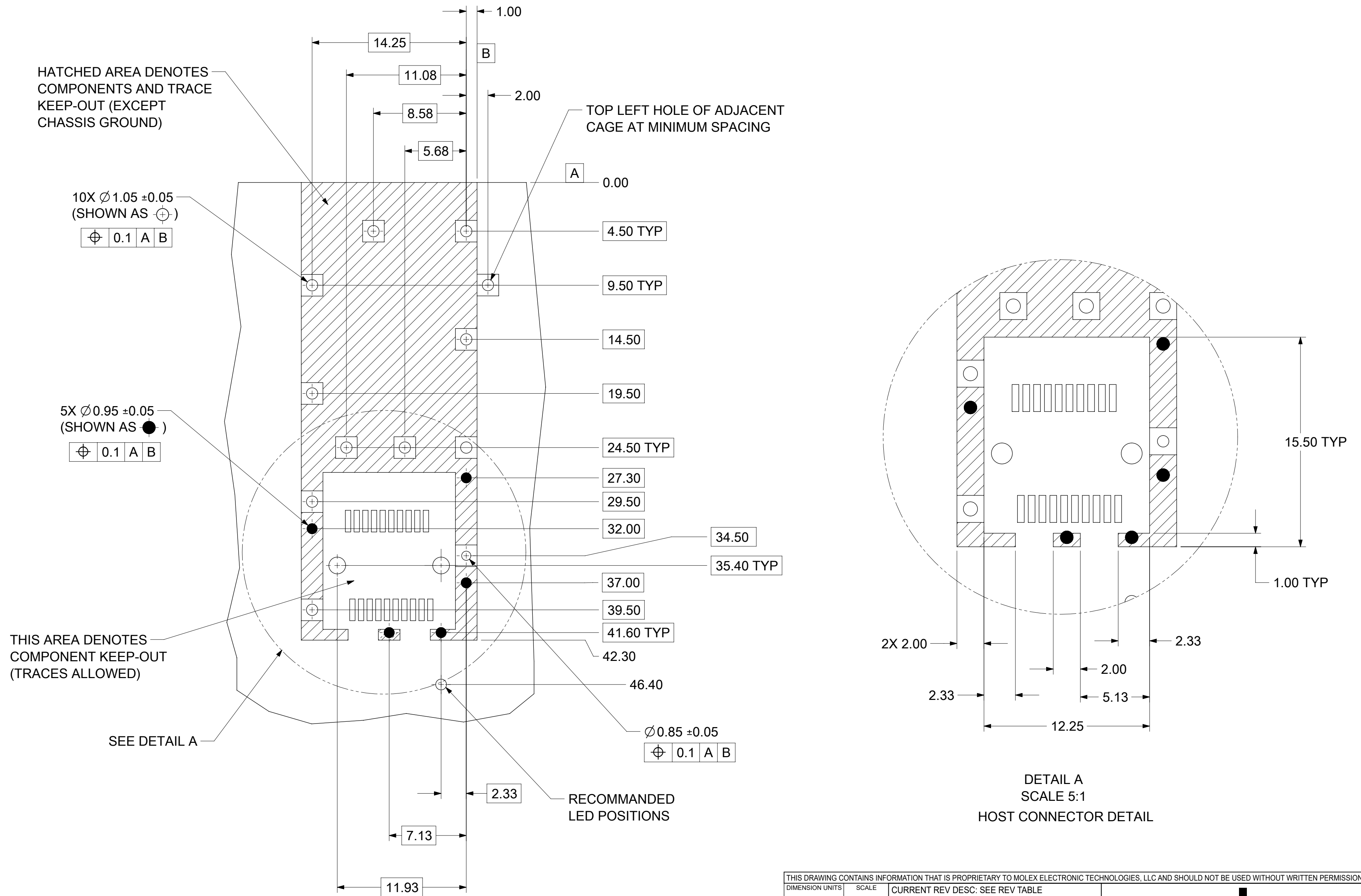
NOTES:

- MATERIAL:
 CAGE: 0.25mm THICK COPPER ALLOY, NICKEL PLATED
 SPRING FINGER: STAINLESS STEEL.
 CLIP: COPPER ALLOY
 LIGHT PIPE : POLYCARBONATE (94-V0 RATED)
- PRESS FIT LEGS 2.28mm LONG:
 1.57 MINIMUM PCB THICKNESS FOR SINGLE SIDED USE
 3.00 MINIMUM PCB THICKNESS FOR BELLY TO BELLY USE
- PORTS ARE DESIGNED FOR SFP+ TRANSCEIVERS AND ARE COMPATIBLE WITH SFP TRANSCEIVERS
- NO RoHS EXEMPTIONS.

THIS DRAWING CONTAINS INFORMATION THAT IS PROPRIETARY TO MOLEX ELECTRONIC TECHNOLOGIES, LLC AND SHOULD NOT BE USED WITHOUT WRITTEN PERMISSION

| | | | | | | |
|--|--------|---------------------------------|------------|---|-----------------|----------|
| DIMENSION UNITS | SCALE | CURRENT REV DESC: SEE REV TABLE | | molex | | |
| mm | 3:1 | | | | | |
| GENERAL TOLERANCES (UNLESS SPECIFIED) | | EC NO: 744017 | | SFP+ 1X1 CAGE ASSY, SUS SPRING FINGER TYPE WITH SINGLE LIGHT PIPE | | |
| ANGULAR TOL | ± 1.0° | DRWN: PKH | 2022/09/13 | PRODUCT CUSTOMER DRAWING | | |
| 4 PLACES | ± | CHK'D: AMRUTH | 2023/03/27 | DOCUMENT NUMBER | | |
| 3 PLACES | ± | APPR: TKUMARKC | 2023/03/30 | 747548962 | | |
| 2 PLACES | ± 0.15 | INITIAL REVISION: | | DOC TYPE | DOC PART | REVISION |
| 1 PLACE | ± 0.25 | DRWN: PKH | 2022/04/07 | PSD | ASY | A1 |
| 0 PLACES | ± | APPR: SCHIEN | 2022/05/26 | SHEET NUMBER | | |
| DRAFT WHERE APPLICABLE MUST REMAIN WITHIN DIMENSIONS | | THIRD ANGLE PROJECTION | DRAWING | SERIES | MATERIAL NUMBER | CUSTOMER |
| | | | C-SIZE | 74754 | 747548962 | |

PCB LAYOUT FOR SINGLE SIDE MOUNT



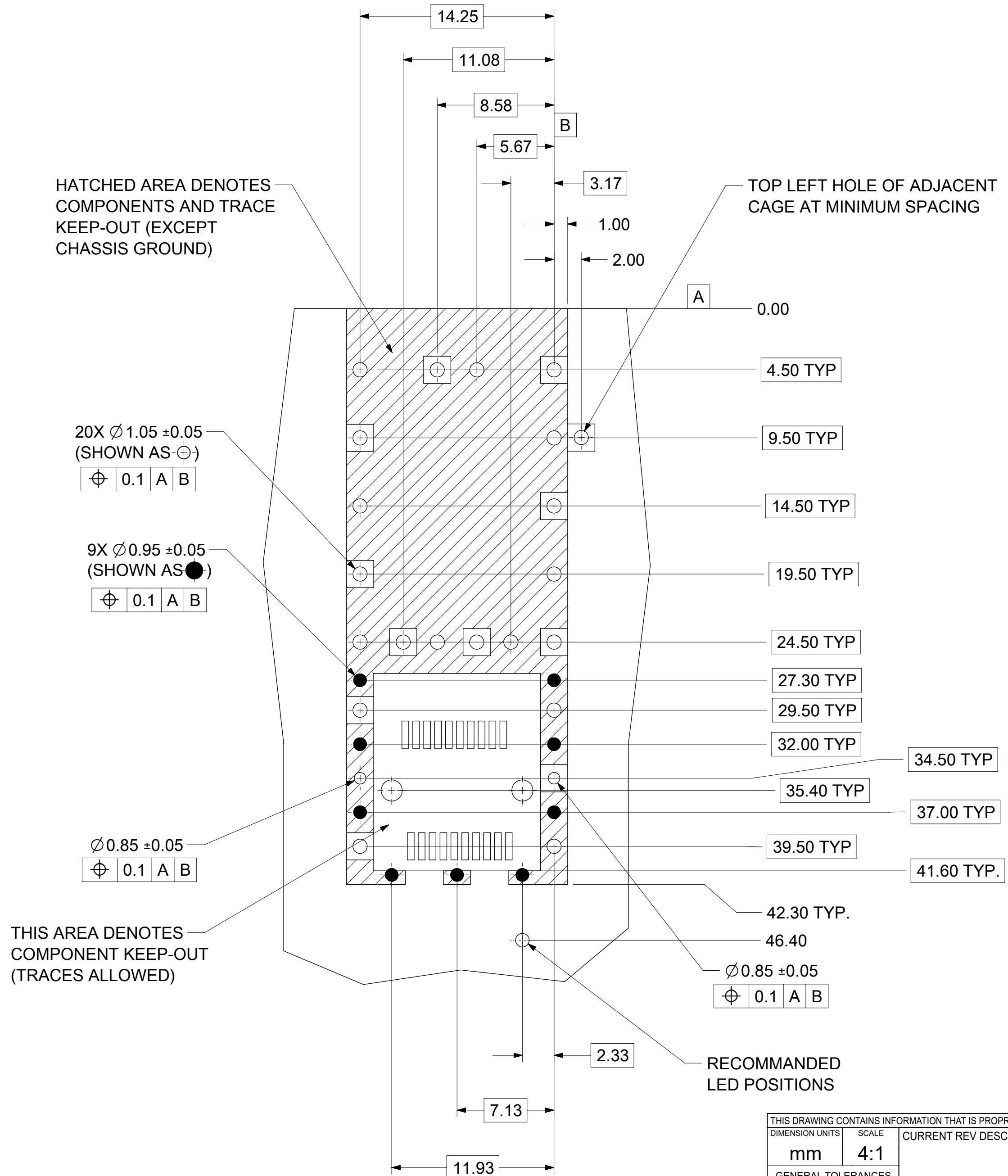
NOTES:

1. PADS AND VIAS CONNECT TO CHASSIS GROUND (RECOMMEND PADS TO BE 2.00mm SQUARE)
2. RECOMMEND THRU HOLE PLATING INCLUDES HASL, OSP, OR IMMERSION (GOLD, SILVER, OR TIN)
3. CONNECTOR PAD LAYOUT PER SFP+ MSA WILL ACCOMMODATE MOLEX CONNECTOR SERIES 74441 OR EQUIVALENT

| | | | | | | | | | |
|---|--|---------------------------|--|--|--|--|--|--|--|
| THIS DRAWING CONTAINS INFORMATION THAT IS PROPRIETARY TO MOLEX ELECTRONIC TECHNOLOGIES, LLC AND SHOULD NOT BE USED WITHOUT WRITTEN PERMISSION | | | | | | | | | |
| DIMENSION UNITS | | SCALE | | CURRENT REV DESC: SEE REV TABLE | | | | | |
| mm | | 4:1 | | <p>molex</p> <p>SFP+ 1X1 CAGE ASSY, SUS SPRING FINGER TYPE WITH SINGLE LIGHT PIPE</p> <p>PRODUCT CUSTOMER DRAWING</p> <p>DOCUMENT NUMBER: 747548962 DOC TYPE: PSD DOC PART: ASY REVISION: A1</p> <p>MATERIAL NUMBER: 747548962 CUSTOMER: SHEET NUMBER: 2 OF 5</p> | | | | | |
| GENERAL TOLERANCES (UNLESS SPECIFIED) | | | | | | | | | |
| ANGULAR TOL ± 1.0° | | | | | | | | | |
| 4 PLACES ± | | EC NO: 744017 | | | | | | | |
| 3 PLACES ± | | DRWN: PKH 2022/09/13 | | | | | | | |
| 2 PLACES ± 0.15 | | CHK'D: AMRUTH 2023/03/27 | | | | | | | |
| 1 PLACE ± 0.25 | | APPR: TKUMARKC 2023/03/30 | | | | | | | |
| 0 PLACES ± | | INITIAL REVISION: | | | | | | | |
| DRAFT WHERE APPLICABLE MUST REMAIN WITHIN DIMENSIONS | | DRWN: PKH 2022/04/07 | | APPR: SCHIEN 2022/05/26 | | | | | |
| THIRD ANGLE PROJECTION | | DRAWING | | SERIES | | | | | |
| C-SIZE | | 74754 | | | | | | | |

| | | | | |
|-----------------|----|--------------|------------|----------|
| DOCUMENT STATUS | P1 | RELEASE DATE | 2023/03/30 | 11:27:31 |
|-----------------|----|--------------|------------|----------|

PCB LAYOUT FOR BELLY TO BELLY MOUNTING



NOTE:
SEE SHEET 2 FOR
HOST CONNECTOR DETAIL

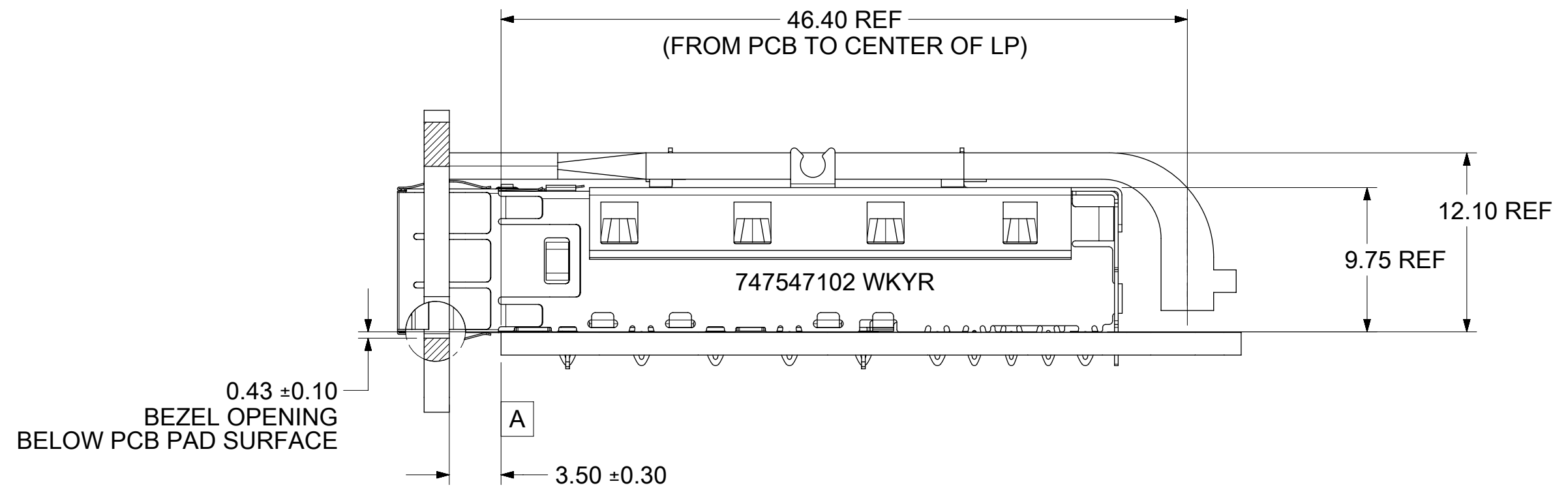
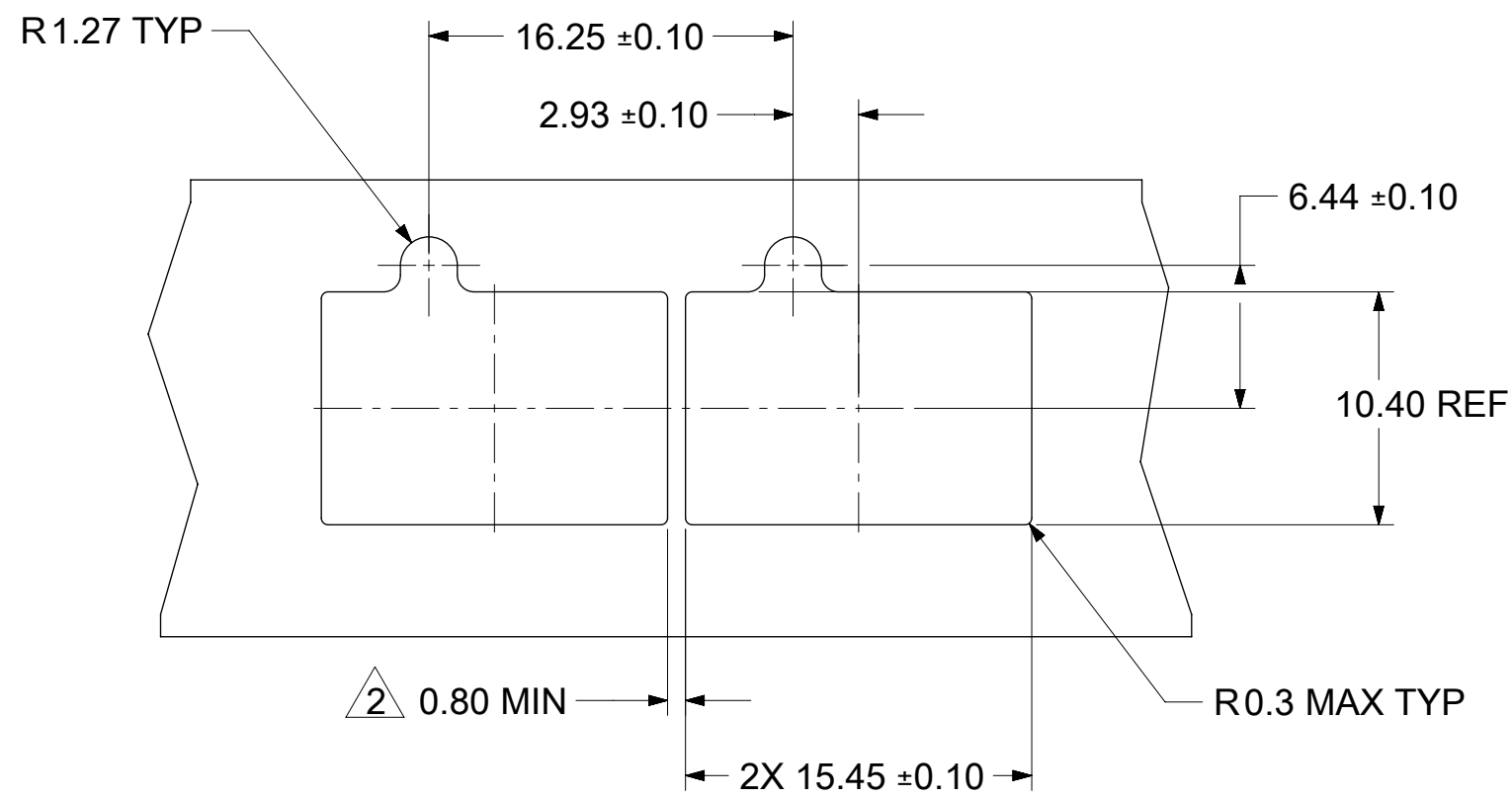
NOTES:

1. PADS AND VIAS CONNECT TO CHASSIS GROUND (RECOMMEND PADS TO BE 2.00mm SQUARE)
2. RECOMMENDED THRU HOLE PLATING INCLUDES HASL, OSP, OR IMMERSION (GOLD, SILVER, OR TIN).
3. CONNECTOR PAD LAYOUT PER SFP+ MSA WILL ACCOMMODATE MOLEX CONNECTOR SERIES 74441 OR EQUIVALENT.

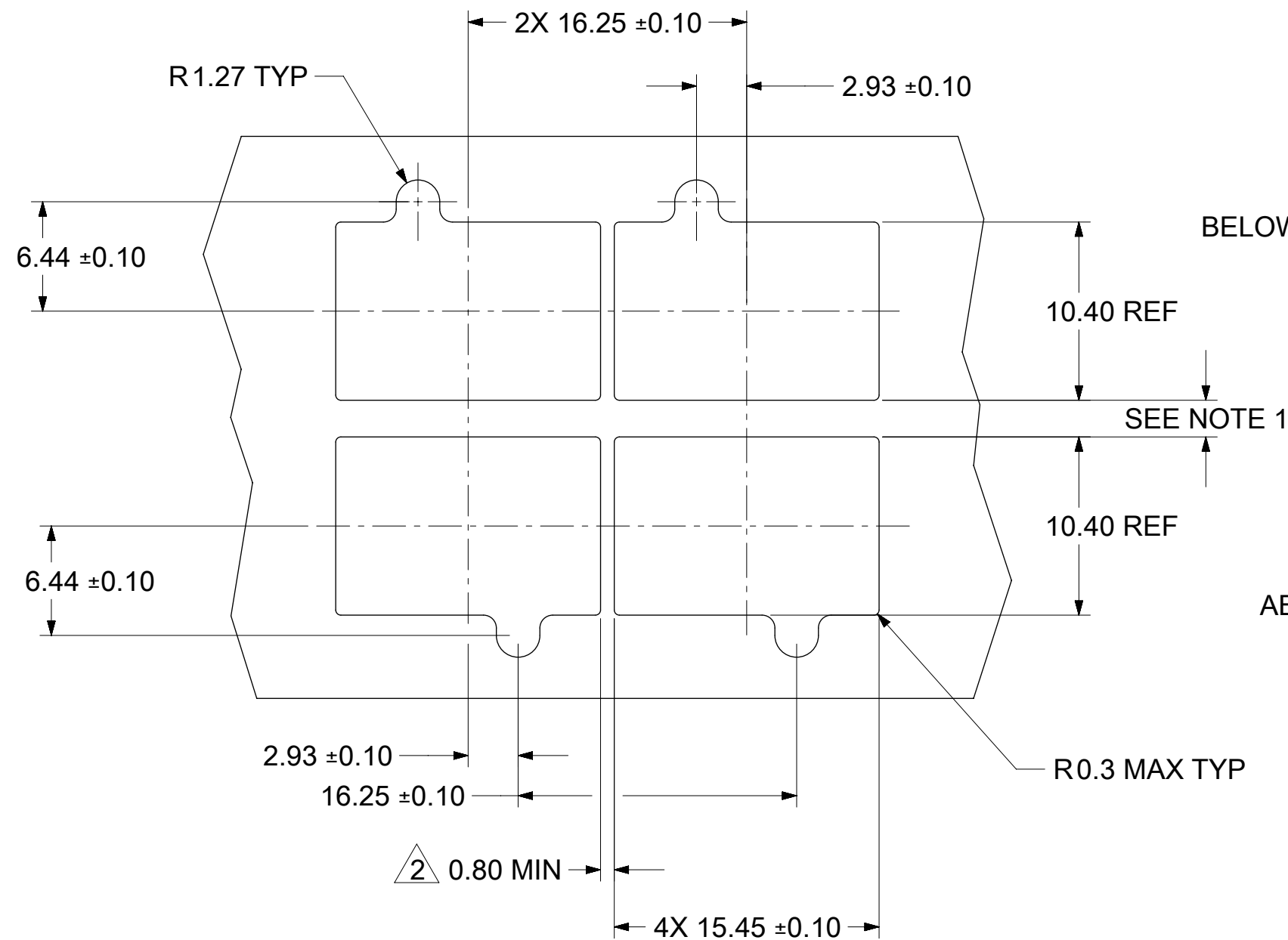
THIS DRAWING CONTAINS INFORMATION THAT IS PROPRIETARY TO MOLEX ELECTRONIC TECHNOLOGIES, LLC AND SHOULD NOT BE USED WITHOUT WRITTEN PERMISSION

| | | | | | | |
|--|------------------------|---------------------------------|------------|---|----------|----------|
| DIMENSION UNITS | SCALE | CURRENT REV DESC: SEE REV TABLE | | molex | | |
| mm | 4:1 | | | | | |
| GENERAL TOLERANCES (UNLESS SPECIFIED) | | EC NO: 744017 | | SFP+ 1X1 CAGE ASSY, SUS SPRING FINGER TYPE WITH SINGLE LIGHT PIPE | | |
| ANGULAR TOL | ± 1.0° | DRWN: PKH | 2022/09/13 | PRODUCT CUSTOMER DRAWING | | |
| 4 PLACES | ± | CHK'D: AMRUTH | 2023/03/27 | DOCUMENT NUMBER | | |
| 3 PLACES | ± | APPR: TKUMARKC | 2023/03/30 | 747548962 | DOC TYPE | DOC PART |
| 2 PLACES | ± 0.15 | INITIAL REVISION: | | PSD | ASY | A1 |
| 1 PLACE | ± 0.25 | DRWN: PKH | 2022/04/07 | SHEET NUMBER | | |
| 0 PLACES | ± | APPR: SCHIEN | 2022/05/26 | 3 OF 5 | | |
| DRAFT WHERE APPLICABLE MUST REMAIN WITHIN DIMENSIONS | THIRD ANGLE PROJECTION | DRAWING | SERIES | MATERIAL NUMBER | CUSTOMER | |
| | | C-SIZE | 74754 | 747548962 | | |

BEZEL AND BOARD POSITION DIMENSIONS FOR SINGLE SIDE MOUNTING (CAGE WITH SPRING FINGER)



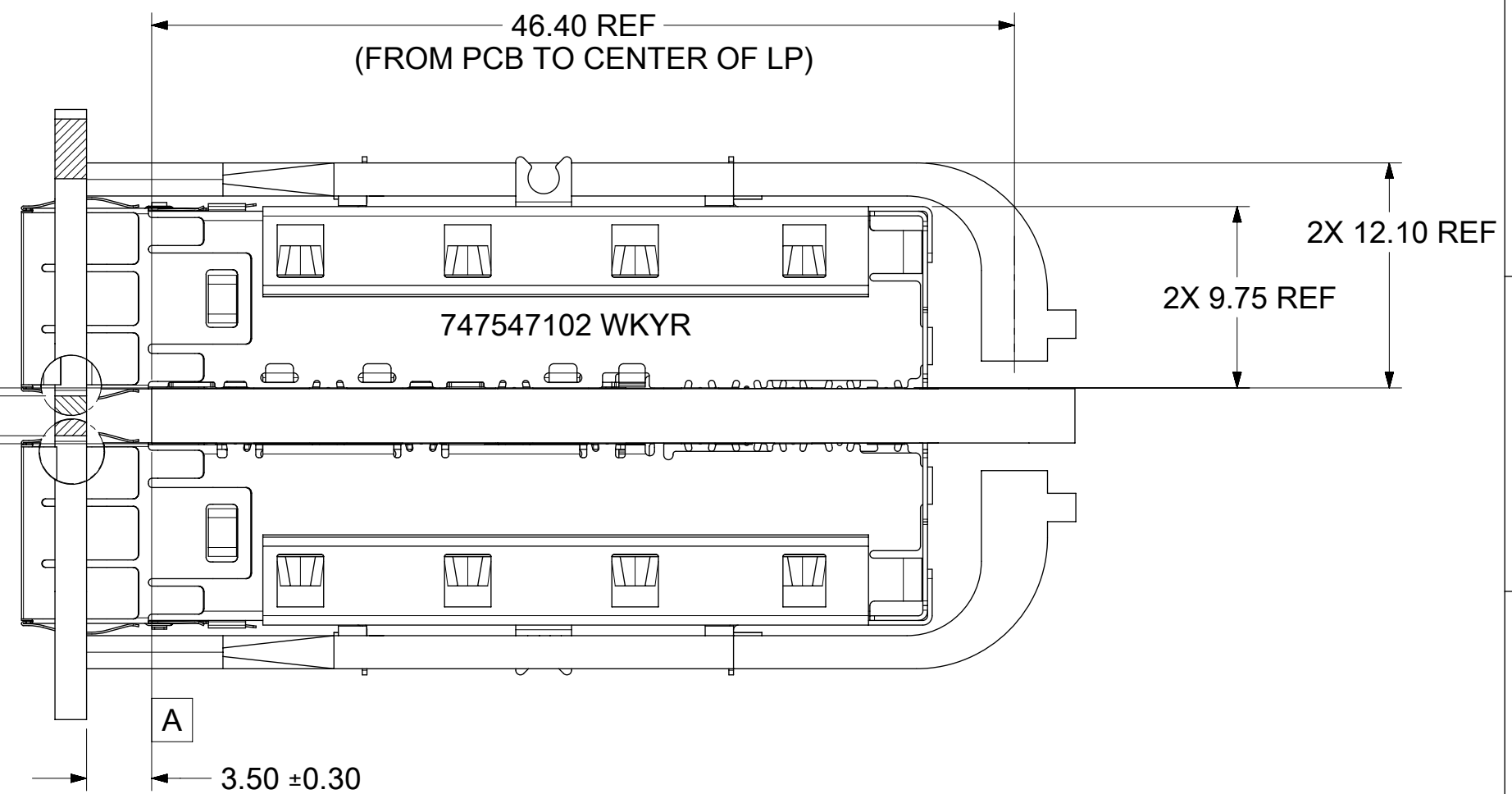
BEZEL AND BOARD POSITION DIMENSIONS FOR BELLY TO BELLY MOUNTING (CAGE WITH SPRING FINGER)



0.43 ±0.10
BEZEL OPENING
BELOW PCB PAD SURFACE

SEE NOTE 1

0.43 ±0.10
BEZEL OPENING
ABOVE PCB PAD SURFACE



- NOTES:
- PCB THICKNESS VARIATION MUST BE CONSIDERED WHEN DETERMINING BEZEL OPENING SIZE AND LOCATION
 - THIS DIMENSION IS FOR REFERENCE ONLY. USER CAN MODIFY IT DEPENDS ON APPLICATION.
(THIS DIMENSION VARIES BASED ON DISTANCE OF "HOLE OF ADJACENT CAGE" ON PCB LAYOUT)

THIS DRAWING CONTAINS INFORMATION THAT IS PROPRIETARY TO MOLEX ELECTRONIC TECHNOLOGIES, LLC AND SHOULD NOT BE USED WITHOUT WRITTEN PERMISSION

| | | | | | | | | |
|--|--------|---------------------------------|------------|---|--------|----------|----------|--------------|
| DIMENSION UNITS | SCALE | CURRENT REV DESC: SEE REV TABLE | | molex | | | | |
| mm | 3:1 | | | | | | | |
| GENERAL TOLERANCES (UNLESS SPECIFIED) | | EC NO: 744017 | | SFP+ 1X1 CAGE ASSY, SUS SPRING FINGER TYPE WITH SINGLE LIGHT PIPE | | | | |
| ANGULAR TOL | ± 1.0° | DRWN: PKH | 2022/09/13 | PRODUCT CUSTOMER DRAWING | | | | |
| 4 PLACES | ± | CHK'D: AMRUTH | 2023/03/27 | DOCUMENT NUMBER | | | | |
| 3 PLACES | ± | APPR: TKUMARKC | 2023/03/30 | 747548962 | | DOC TYPE | DOC PART | REVISION |
| 2 PLACES | ± 0.15 | INITIAL REVISION: | | PSD ASY A1 | | | | |
| 1 PLACE | ± 0.25 | DRWN: PKH | 2022/04/07 | MATERIAL NUMBER | | CUSTOMER | | SHEET NUMBER |
| 0 PLACES | ± | APPR: SCHIEN | 2022/05/26 | 747548962 | | | | 4 OF 5 |
| DRAFT WHERE APPLICABLE MUST REMAIN WITHIN DIMENSIONS | | THIRD ANGLE PROJECTION | DRAWING | SERIES | C-SIZE | | 74754 | |

| REV | DATE | DESCRIPTION |
|-----|------------|---|
| A | 2022/05/19 | INITIAL RELEASE |
| A1 | 2023/03/27 | SHEET 01 : E12 : DATE CODE DETAILS UPDATED. |
| | | |
| | | |

THIS DRAWING CONTAINS INFORMATION THAT IS PROPRIETARY TO MOLEX ELECTRONIC TECHNOLOGIES, LLC AND SHOULD NOT BE USED WITHOUT WRITTEN PERMISSION

| | | | | | | | | |
|--|------------------------|---------------------------------|------------|---|----------|--------------|----------|----------|
| DIMENSION UNITS | SCALE | CURRENT REV DESC: SEE REV TABLE | | molex | | | | |
| mm | 1:1 | | | | | | | |
| GENERAL TOLERANCES (UNLESS SPECIFIED) | | | | SFP+ 1X1 CAGE ASSY, SUS SPRING FINGER TYPE WITH SINGLE LIGHT PIPE | | | | |
| ANGULAR TOL | ± 1.0° | | | PRODUCT CUSTOMER DRAWING | | | | |
| 4 PLACES | ± | EC NO: 744017 | | | | | | |
| 3 PLACES | ± | DRWN: PKH | 2022/09/13 | | | | | |
| 2 PLACES | ± 0.15 | CHK'D: AMRUTH | 2023/03/27 | | | | | |
| 1 PLACE | ± 0.25 | APPR: TKUMARKC | 2023/03/30 | | | | | |
| 0 PLACES | ± | INITIAL REVISION: | | DOCUMENT NUMBER | | | | |
| | | DRWN: PKH | 2022/04/07 | 747548962 | | DOC TYPE | DOC PART | REVISION |
| | | APPR: SCHIEN | 2022/05/26 | | | PSD | ASY | A1 |
| DRAFT WHERE APPLICABLE MUST REMAIN WITHIN DIMENSIONS | THIRD ANGLE PROJECTION | DRAWING | SERIES | MATERIAL NUMBER | CUSTOMER | SHEET NUMBER | | |
| | | C-SIZE | 74754 | 747548962 | | 5 OF 5 | | |

| | | | | |
|-----------------|----|--------------|------------|----------|
| DOCUMENT STATUS | P1 | RELEASE DATE | 2023/03/30 | 11:27:31 |
|-----------------|----|--------------|------------|----------|