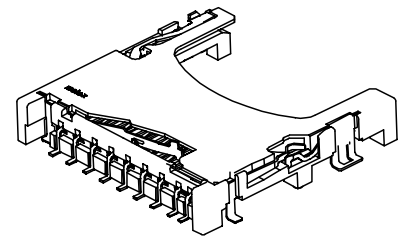
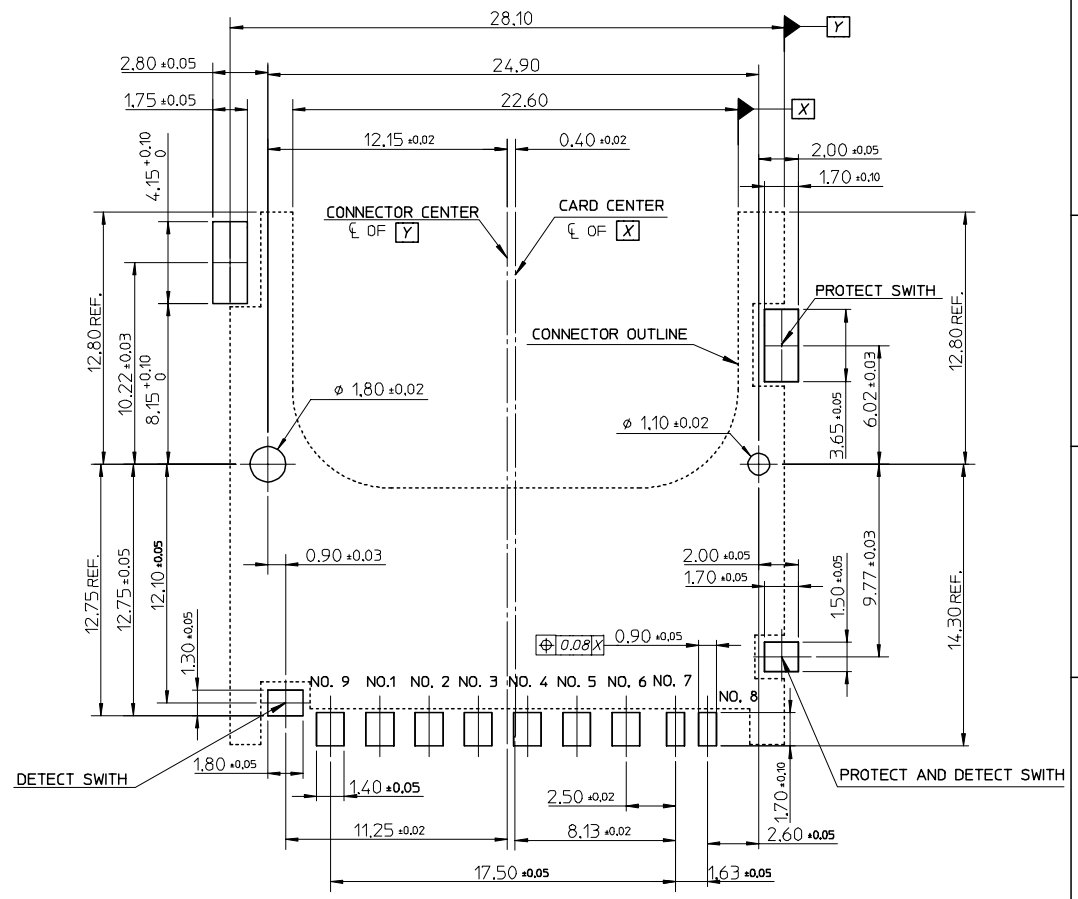


- NOTES :
- MATERIAL :
 HOUSING : HEAT RESISTANCE POLYMER, UL94-V0, BLACK.
 TERMINAL : COPPER ALLOY.
 PLATING : SELECTIVE GOLD PLATING
 PROTECT PIN : COPPER ALLOY.
 PLATING :
 CONTACT AREA : SELECTIVE GOLD PLATING .
 PROTECT AND DETECT PIN : COPPER ALLOY.
 PLATING :
 CONTACT AREA : SELECTIVE GOLD PLATING.
 DETECT PIN : COPPER ALLOY.
 PLATING :
 CONTACT AREA : SELECTIVE GOLD PLATING.
 CARD LOCK PIN : STAINLESS STEEL.
 - PLATING OF SOLDER AREA FOR ALL TERMINALS AND PINS :
 TIN-LEAD PLATING.
 - PLATING OF UNDER PLATING FOR ALL TERMINALS AND PINS :
 NICKEL PLATING.
 - TERMINALS AND PINS COPLANARITY TO BE 0.1mm MAXIMUM.
 - PRODUCT SPECIFICATION REFER TO PS-67781-001.
 - PACKAGE INFORMATION REFER TO PK-67781-002.



| | | | | | | |
|---|-----------------------|---------------------------------------|-------------------------|---|--------------------------|--------------------|
| ADD ISO VIEW EC NO: IT2004-00035 DRAWN: EKAO 2003/11/04 CHKD: APPR: | QUALITY SYMBOLS | GENERAL TOLERANCES (UNLESS SPECIFIED) | SCALE 3:1 | DESIGN UNITS METRIC | THIRD ANGLE PROJECTION | REVISE ON CAD ONLY |
| | ▼ = 0 | mm INCH | DIMENSION STYLE MM ONLY | | TITLE | |
| | ∇ = 0 | 4 PLACES ± --- ± --- | DRAWN BY DATE | | SD MEMORY CARD CONNECTOR | |
| | ∠ = 0 | 3 PLACES ± --- ± --- | ALLEN '02/11/01 | | STAND OFF 1.8 MM TYPE | |
| | 2 PLACES ± 0.25 ± --- | CHECKED BY DATE | | MOLEX INCORPORATED | | |
| | 1 PLACE ± 0.25 ± --- | WWSCHANG '02/11/01 | | MATERIAL NO. DOCUMENT NO. SHEET NO. | | |
| | ANGULAR ± 2 ° | APPROVED BY DATE | | 67781-0003 SD-67781-002 1 OF 3 | | |
| | | ELAN '02/11/01 | | THIS DRAWING CONTAINS INFORMATION THAT IS PROPRIETARY TO MOLEX INCORPORATED AND SHOULD NOT BE USED WITHOUT WRITTEN PERMISSION | | |
| | | DRAFT WHERE APPLICABLE | | A3 | | |
| | | MUST REMAIN WITHIN DIMENSIONS | | | | |

| OPENING AND CLOSE OF EACH SWITCH | | | |
|----------------------------------|------------------------|-----------------------|--------------------|
| CARD INSERTION STATUS | WRITE PROTECT SWITCH | | CARD DETECT SWITCH |
| | WRITE PROTECT POSITION | WRITE ENABLE POSITION | |
| CARD UNINSERTION | OPEN | OPEN | OPEN |
| CARD INSERTION PROCESS | CLOSE | CLOSE | OPEN |
| CARD INSERTION | OPEN | CLOSE | CLOSE |



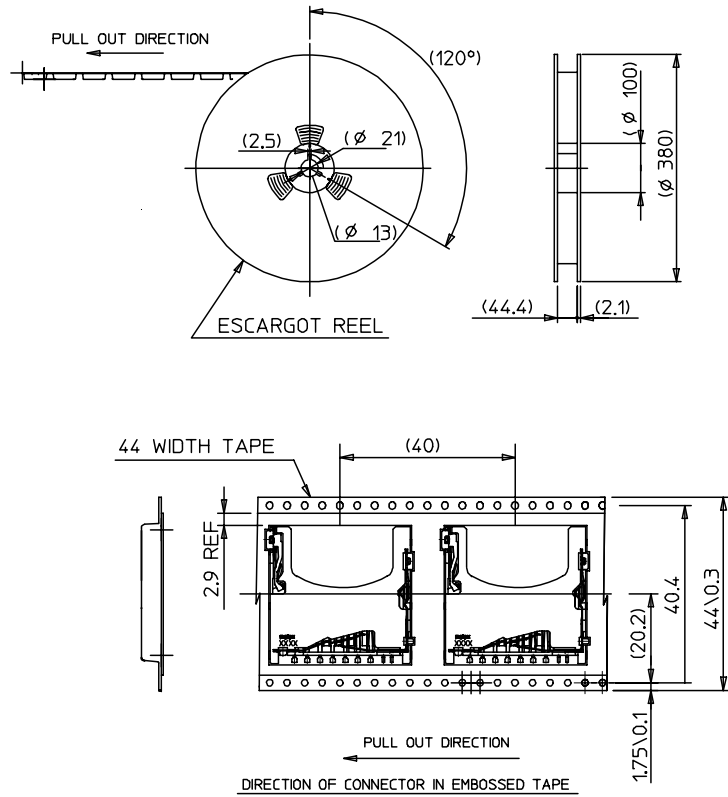
RECOMMENDED P.C.B. PATTERN LAYOUT

T2004-0045

| ADD ISO VIEW EC NO: T2004-0045 DRWN: EKAO 2003/11/04 CHKD: 2003/11/06 APPR: WWSCHANG 2003/11/07 | QUALITY SYMBOLS | GENERAL TOLERANCES (UNLESS SPECIFIED) | SCALE 4:1 | DESIGN UNITS METRIC | THIRD ANGLE PROJECTION | REVISE ON CAD ONLY | | | | | | | | | | | | | | | | | | | | | | | | | |
|---|--|---|-----------|---------------------------|------------------------|--------------------|-------|-------|----------|-------|-------|----------|--------|-------|---------|--------|-------|--|-----------------|--|---------|-----------|----------------|----------------|---------------------|----------------|------------------|----------------|-------|---|--|
| | ▼ = 0 ∇ = 0 S = 0 | <table border="1"> <thead> <tr> <th></th> <th>mm</th> <th>INCH</th> </tr> </thead> <tbody> <tr> <td>4 PLACES</td> <td>± ---</td> <td>± ---</td> </tr> <tr> <td>3 PLACES</td> <td>± ---</td> <td>± ---</td> </tr> <tr> <td>2 PLACES</td> <td>± 0.25</td> <td>± ---</td> </tr> <tr> <td>1 PLACE</td> <td>± 0.25</td> <td>± ---</td> </tr> </tbody> </table> | | mm | INCH | 4 PLACES | ± --- | ± --- | 3 PLACES | ± --- | ± --- | 2 PLACES | ± 0.25 | ± --- | 1 PLACE | ± 0.25 | ± --- | <table border="1"> <thead> <tr> <th colspan="2">DIMENSION STYLE</th> </tr> <tr> <th>mm ONLY</th> <th>INCH ONLY</th> </tr> </thead> <tbody> <tr> <td>DRAWN BY ALLEN</td> <td>DATE '02/11/01</td> </tr> <tr> <td>CHECKED BY WWSCHANG</td> <td>DATE '02/11/01</td> </tr> <tr> <td>APPROVED BY ELAN</td> <td>DATE '02/11/01</td> </tr> </tbody> </table> | DIMENSION STYLE | | mm ONLY | INCH ONLY | DRAWN BY ALLEN | DATE '02/11/01 | CHECKED BY WWSCHANG | DATE '02/11/01 | APPROVED BY ELAN | DATE '02/11/01 | TITLE | SD MEMORY CARD CONNECTOR STAND OFF 1.8 MM TYPE (NO PUSH FUNCTION) | |
| | | mm | INCH | | | | | | | | | | | | | | | | | | | | | | | | | | | | |
| | 4 PLACES | ± --- | ± --- | | | | | | | | | | | | | | | | | | | | | | | | | | | | |
| 3 PLACES | ± --- | ± --- | | | | | | | | | | | | | | | | | | | | | | | | | | | | | |
| 2 PLACES | ± 0.25 | ± --- | | | | | | | | | | | | | | | | | | | | | | | | | | | | | |
| 1 PLACE | ± 0.25 | ± --- | | | | | | | | | | | | | | | | | | | | | | | | | | | | | |
| DIMENSION STYLE | | | | | | | | | | | | | | | | | | | | | | | | | | | | | | | |
| mm ONLY | INCH ONLY | | | | | | | | | | | | | | | | | | | | | | | | | | | | | | |
| DRAWN BY ALLEN | DATE '02/11/01 | | | | | | | | | | | | | | | | | | | | | | | | | | | | | | |
| CHECKED BY WWSCHANG | DATE '02/11/01 | | | | | | | | | | | | | | | | | | | | | | | | | | | | | | |
| APPROVED BY ELAN | DATE '02/11/01 | | | | | | | | | | | | | | | | | | | | | | | | | | | | | | |
| | DRAFT WHERE APPLICABLE MUST REMAIN WITHIN DIMENSIONS | MATERIAL NO. 67781-0003 | | DOCUMENT NO. SD-67781-002 | SHEET NO. 2 OF 3 | | | | | | | | | | | | | | | | | | | | | | | | | | |

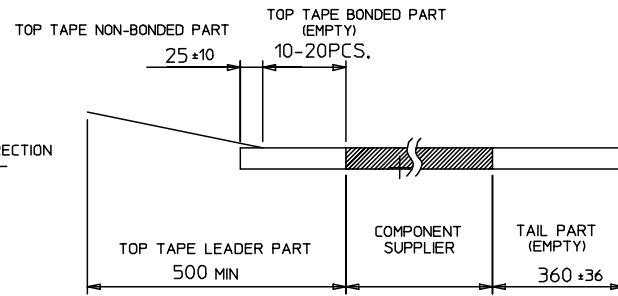


THIS DRAWING CONTAINS INFORMATION THAT IS PROPRIETARY TO MOLEX INCORPORATED AND SHOULD NOT BE USED WITHOUT WRITTEN PERMISSION

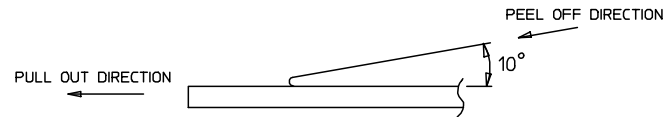


NOTES

- 1. NUMBER OF CONNECTORS: 300 PCS/REEL
- 2.



- 3. PEEL-OFF FORCE OF TOP TAPE: 0.1 - 1.3 N (10.2 - 130gf)
(PEELING DIRECTION AS SHOWN IN FOLLOWING FIG.)
<PEEL-OFF SPEED: 300mm/min (REF.)>



| | | | | | | | | |
|---|--|--|--|---|---------------------|--|--------------------|--|
| ADD ISO VIEW EC NO: 11000400345 DRAWN: EKA0 2003/11/04 CHKD: 2003/11/06 APPR: WWSCHANG 2003/11/07 | QUALITY SYMBOLS ▴ = 0 ▽ = 0 S = 0 | GENERAL TOLERANCES (UNLESS SPECIFIED) | | SCALE 1:1 | DESIGN UNITS METRIC | THIRD ANGLE PROJECTION | REVISE ON CAD ONLY | |
| | | | | DIMENSION STYLE MM ONLY | | TITLE SD MEMORY CARD CONNECTOR STAND OFF 1.8 MM TYPE (NO PUSH FUNCTION) | | |
| | | 4 PLACES ± --- ± --- | | DRAWN BY ALLEN DATE '02/11/01 | | MOLEX MOLEX INCORPORATED MATERIAL NO. 67781-0003 DOCUMENT NO. SD-67781-002 SHEET NO. 3 OF 3 | | |
| | | 3 PLACES ± --- ± --- | | CHECKED BY WWSCHANG DATE '02/11/01 | | | | |
| 2 PLACES ± 0.25 ± --- | | APPROVED BY ELAN DATE '02/11/01 | | THIS DRAWING CONTAINS INFORMATION THAT IS PROPRIETARY TO MOLEX INCORPORATED AND SHOULD NOT BE USED WITHOUT WRITTEN PERMISSION | | | | |
| 1 PLACE ± 0.25 ± --- | | DRAFT WHERE APPLICABLE MUST REMAIN WITHIN DIMENSIONS | | A3 | | | | |