

注記 NOTES

1. 使用材料 MATERIAL
 ハウジング : 46ナイロン, UL94V-0
 HOUSING : 46NYLON
 アクチュエータ : PPS, UL94V-0
 ACTUATOR
 ターミナル : リン青銅, 金メッキ (t=0.2)
 TERMINAL : PHOS-BRO, GOLD PLATED
 金具 : リン青銅, 錫メッキ (t=0.2)
 FITTING NAIL : PHOS-BRO, Sn PLATED
- △ パターンはくり止め用金具
 FITTING NAIL FOR PREVENTION OF PEELING OF P.C.B. PATTERN.
- △ ソルダテール半田付け面のズレ量、及び金具半田付け面のズレ量は、基準面 Y に対し上方向 0.05MAX. 下方向 0.2MAX. とし、相互のバラツキ量は 0.15MAX. とする。
 MISALIGNMENT OF SOLDER TAILS AND FITTING NAILS FROM Y UPPER DIRECTION: 0.05 MAX., LOWER DIRECTION: 0.2 MAX. OFFSET BETWEEN UPPER AND LOWER: 0.15MAX.
- △ 偶数極に適用。
 APPLY FOR EVEN CIRCUIT.
- △ 18種以上は2ヶ所、10~16種はハウジングセンター上に1ヶ所とする。
 18 CKTS & MORE THAN 18 CKTS PLACED 2 POINT.
 10~16 CKTS PLACED 1 POINT ON HOUSING CENTER.
6. 本製品は 52893シリーズの金メッキ品である。
 THIS PRODUCT IS Au PLATING OF 52893 SERIES.

15.3	15.5	14.5	19.6	52893-3058	30
13.3	13.5	12.5	17.6	-2658	26
12.3	12.5	11.5	16.6	-2458	24
11.3	11.5	10.5	15.6	-2258	22
10.3	10.5	9.5	14.6	-2058	20
9.3	9.5	8.5	13.6	-1858	18
8.8	9.0	8.0	13.1	-1758	17
8.3	8.5	7.5	12.6	-1658	16
7.8	8.0	7.0	12.1	-1558	15
6.3	6.5	5.5	10.6	-1258	12
5.3	5.5	4.5	9.6	-1058	10
4.3	4.5	3.5	8.6	52893-0858	8
D	C	(B)	A	MATERIAL NO.	極数 CIRCUIT

MODEL No. 52893-xx58

REVISED EC NO: J2006-1389 DRWN: NABE1 2005/10/31 CHKDK: TOYODA 2005/11/01 APPR: NUKITA 2005/11/04	GENERAL TOLERANCES (UNLESS SPECIFIED)		DIMENSION STYLE MM ONLY		SCALE ---	DESIGN UNITS METRIC	THIRD ANGLE PROJECTION
	10 UNDER	±0.2	DRAWN BY M. NABE1	DATE '05/06/07	TITLE 0.5 FPC CONN ZIF EO HSG ASSY BTM CONT -LEAD FREE-		
	10 OVER 30 UNDER	±0.25	CHECKED BY K. TOYODA	DATE '05/06/07	MOLEX MOLEX INCORPORATED		
	30 OVER	±0.3	APPROVED BY N. UKITA	DATE '05/06/07	MATERIAL NO. SEE CHART	DOCUMENT NO. SD-52893-044	SHEET NO. 1 OF 2
ANGULAR ±3 °		DRAFT WHERE APPLICABLE MUST REMAIN WITHIN DIMENSIONS		THIS DRAWING CONTAINS INFORMATION THAT IS PROPRIETARY TO MOLEX INCORPORATED AND SHOULD NOT BE USED WITHOUT WRITTEN PERMISSION			

10 9 8 7 6 5 4 3 2 1

F

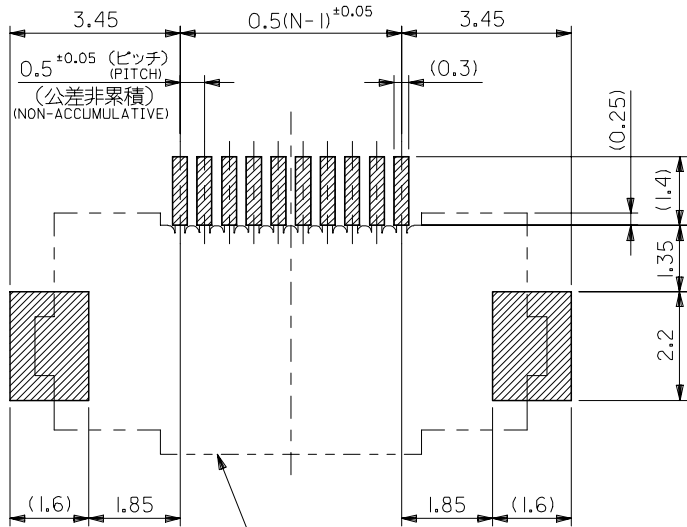
E

D

C

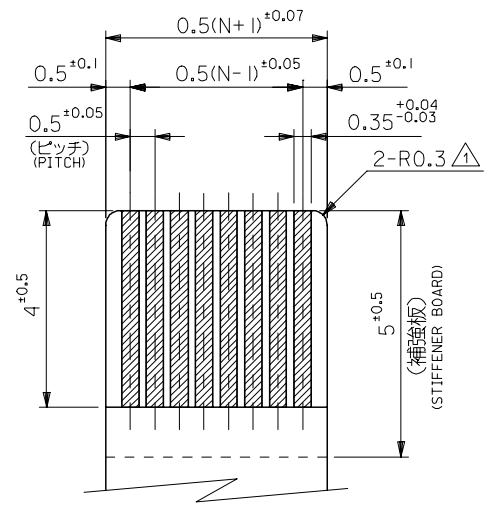
B

A

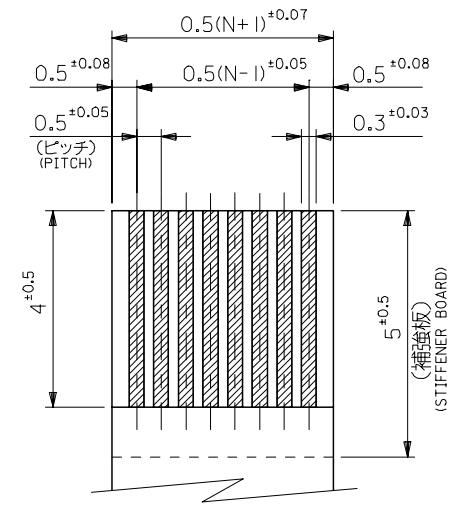


コネクタ位置
CONNECTOR POSITION

参考基板レイアウト
P.C. BOARD PATTERN
DIMENSION (REF.)
(マウント面)
(MOUNTING SIDE)



適合FPC推奨寸法
APPLICABLE FPC
RECOMMENDED DIMENSION
(仕上がり厚さ: 0.3 ± 0.03)
(THICKNESS: 0.3 ± 0.03)



適合FFC推奨寸法
APPLICABLE FFC
RECOMMENDED DIMENSION
(仕上がり厚さ: 0.3 ± 0.03)
(THICKNESS: 0.3 ± 0.03)

FPCについて:

- 打抜き方向は、導体側から補強板側を推奨いたします。
- 補強フィルム材質は、ポリイミドを推奨いたします。
- 接着剤は、熱硬化接着剤を推奨いたします。

ABOUT FPC:

- RECOMMENDED PUNCHER DIRECTION: FROM CONDUCTOR SIDE TO STIFFENER BOARD SIDE.
- RECOMMENDED MATERIAL:
- STIFFENER FILM: POLYIMIDE
- BONDING AGENT: THERMOSETTING BONDING AGENT

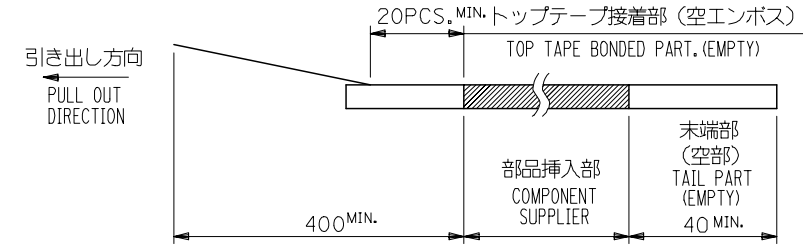
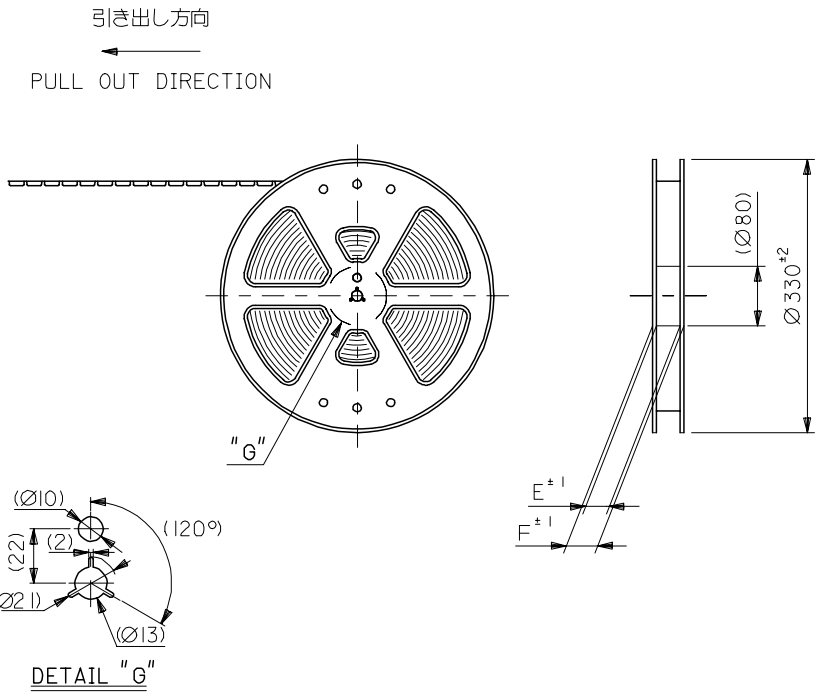
注記 NOTES

- △ R.O. 3は、FPCの導体部にかからないこと。
R.O.3 MUST NOT BE OVERLAPPED TO PATTERN OF FPC.

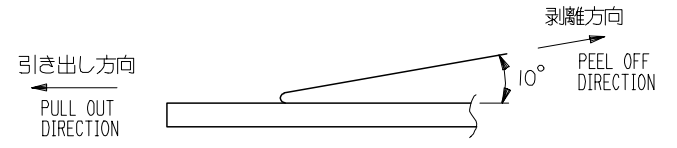
REVISED EC NO: J2006-1389 DRWN: MABEI CHKD: KTOYODA APPR: NUKITA	DESCRIPTION 2005/10/31 2005/11/01 2005/11/04	GENERAL TOLERANCES (UNLESS SPECIFIED)		DIMENSION STYLE MM ONLY		SCALE ---	DESIGN UNITS METRIC	MODEL NO. 52893-**x58	THIRD ANGLE PROJECTION
		10 UNDER	± 0.2	DRAWN BY M. NABEI	DATE '05/06/07	TITLE 0.5 FPC CONN ZIF EO HSG ASSY BTM CONT -LEAD FREE-			
		10 OVER 30 UNDER	± 0.25	CHECKED BY K. TOYODA	DATE '05/06/07	MOLEX INCORPORATED			
		30 OVER	± 0.3	APPROVED BY N. UKITA	DATE '05/06/07	DOCUMENT NO. SD-52893-044			
ANGULAR ± 3 °		DRAFT WHERE APPLICABLE MUST REMAIN WITHIN DIMENSIONS		MATERIAL NO. SEE CHART		SHEET NO. 2 OF 2		THIS DRAWING CONTAINS INFORMATION THAT IS PROPRIETARY TO MOLEX INCORPORATED AND SHOULD NOT BE USED WITHOUT WRITTEN PERMISSION	

注記 NOTES

- 製品詳細寸法については図面 SD-52893-044 を参照下さい。
RE DETAILED DIMENSION, SEE SD-52893-044
- 梱包数量：1000個/リール
NUMBER OF CONNECTORS：1000PCS/REEL
- リードテープ長さ LEAD TAPE LENGTH



- トップテープの剥離強度：0.1 ~ 1.3N (10 ~ 130gf)
(剥離方向は下図参照)
尚、本規格値は出荷時に適用。(但し、輸送時に剥離が発生しないこと。)
PEELING OFF FORCE OF TOP TAPE：0.1 ~ 1.3N (10 ~ 130gf)
(PEELING DIRECTION AS SHOWN IN FOLLOWING FIG.)
THIS REQUIREMENT SHOULD BE APPLIED AT SHIPMENT.
PEEL OFF SHOULD NOT BE ALLOWED, DURING TRANSPORTATION.



- 材料(MATERIAL)
キャリアテープ(CARRIER TAPE)：ポリプロピレン(POLYPROPYLENE)
トップテープ(TOP TAPE)：PET, PE, PEF
リール(REEL)：ポリスチレン(PS) <リサイクル材を含む>
POLYSTYRENE (PS) <RECYCLE MATERIAL CONTAINED>

- 本製品は 52893シリーズの金メッキ品である。
THIS PRODUCT IS Au PLATING OF 52893 SERIES.

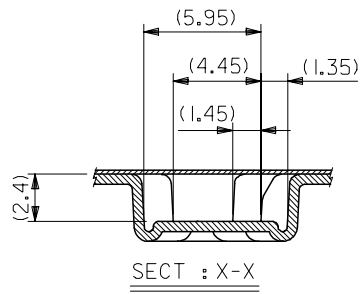
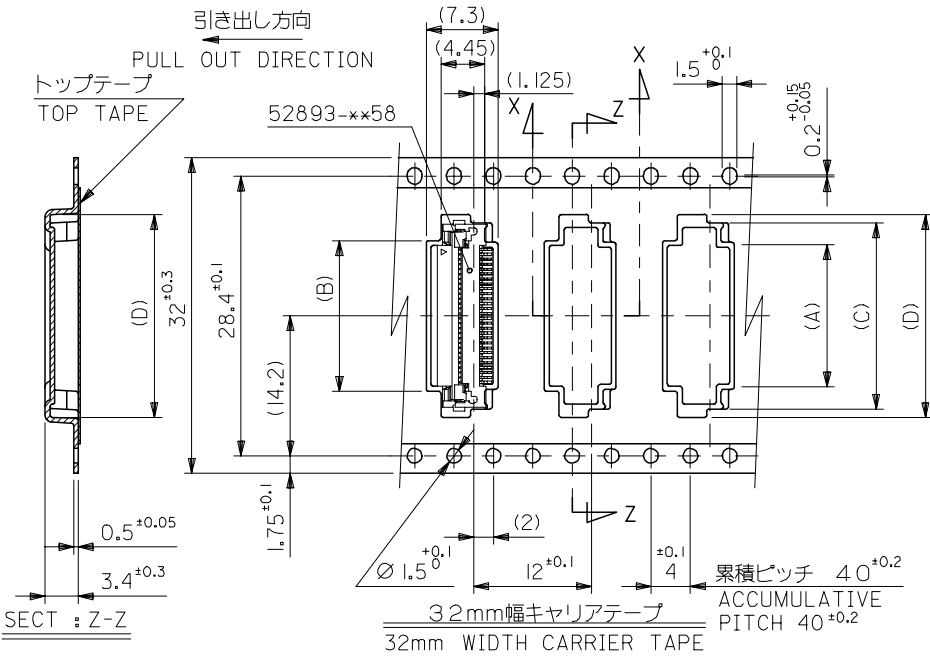
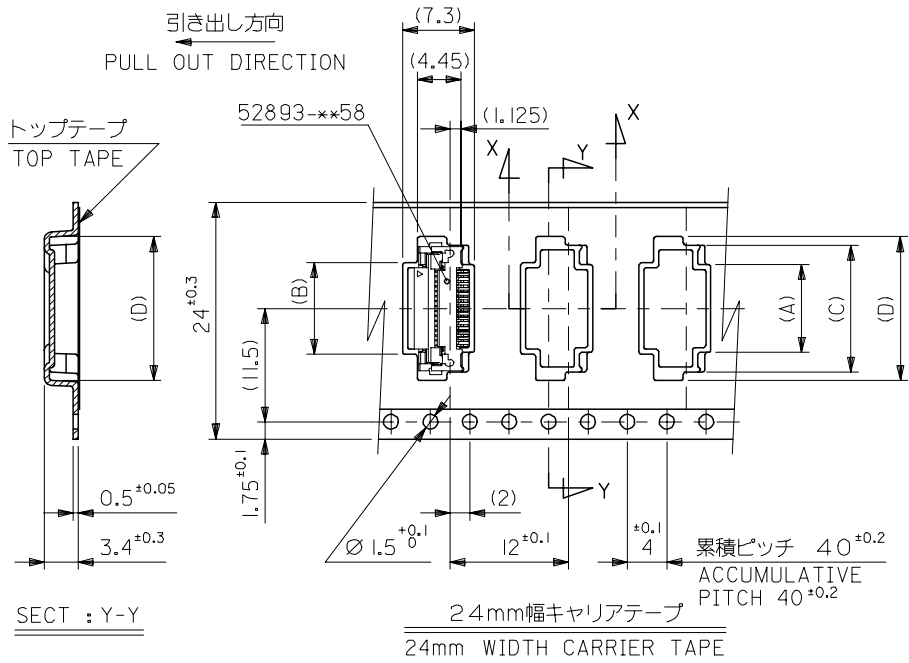
52893-xx96	MODEL NO.
DESIGN UNITS METRIC	THIRD ANGLE PROJECTION

REVISED EC NO: J2006-1389 DRWN:MABE1 2005/10/31 CHKD:KTOYODA 2005/11/01 APPR:NUKITA 2005/11/04	GENERAL TOLERANCES (UNLESS SPECIFIED)	DIMENSION STYLE MM ONLY	SCALE ---	TITLE
	10 UNDER ± ---	DRAWN BY M. NABE1	DATE '05/06/07	EMBSTP PKG FOR 0.5 FPC CONN ZIF EO -LEAD FREE-
	10 OVER 30 UNDER ± ---	CHECKED BY K. TOYODA	DATE '05/06/07	
	30 OVER ± ---	APPROVED BY N. UKITA	DATE '05/06/07	
ANGULAR ± --- °	MATERIAL NO.	DOCUMENT NO.	SHEET NO.	
DRAFT WHERE APPLICABLE MUST REMAIN WITHIN DIMENSIONS	SIZE A3	SEE CHART	SD-52893-045	1 OF 2

MOLEX INCORPORATED	
THIS DRAWING CONTAINS INFORMATION THAT IS PROPRIETARY TO MOLEX INCORPORATED AND SHOULD NOT BE USED WITHOUT WRITTEN PERMISSION	

10 9 8 7 6 5 4 3 2 1

F
E
D
C
B
A



32	37.4	33.4	21.6	19.9	16.1	15.9	52893-3096	30
			19.6	17.9	14.1	13.9	-2696	26
24	29.4	25.4	18.6	16.9	13.1	12.9	-2496	24
			17.6	15.9	12.1	11.9	-2296	22
			16.6	14.9	11.1	10.9	-2096	20
			15.6	13.9	10.1	9.9	-1896	18
			15.1	13.4	9.6	9.4	-1796	17
			14.6	12.9	9.1	8.9	-1696	16
			14.1	12.4	8.6	8.4	-1596	15
			12.6	10.9	7.1	6.9	-1296	12
			11.6	9.9	6.1	5.9	-1096	10
			10.6	8.9	5.1	4.9	52893-0896	8
キャリアテープ幅 CARRIER TAPE WIDTH	F	E	(D)	(C)	(B)	(A)	MATERIAL NO.	極数 CIRCUT

REVISED EC NO: J2006-1389 DRAWN: MABEI 2005/10/31 CHKD: KTOYODA 2005/11/01 APPR: NUKITA 2005/11/04	GENERAL TOLERANCES (UNLESS SPECIFIED)	DIMENSION STYLE MM ONLY	SCALE ---	DESIGN UNITS METRIC	THIRD ANGLE PROJECTION
	10 UNDER ± ---	DRAWN BY M. NABEI	DATE '05/06/07	TITLE EMBSTP PKG FOR 0.5 FPC CONN ZIF EO -LEAD FREE-	
	10 OVER 30 UNDER ± ---	CHECKED BY K. TOYODA	DATE '05/06/07	MOLEX INCORPORATED	
	30 OVER ± ---	APPROVED BY N. UKITA	DATE '05/06/07	DOCUMENT NO. SD-52893-045	SHEET NO. 2 OF 2
	ANGULAR ± --- °	MATERIAL NO. SEE CHART			
DRAFT WHERE APPLICABLE MUST REMAIN WITHIN DIMENSIONS	SIZE A3	THIS DRAWING CONTAINS INFORMATION THAT IS PROPRIETARY TO MOLEX INCORPORATED AND SHOULD NOT BE USED WITHOUT WRITTEN PERMISSION			