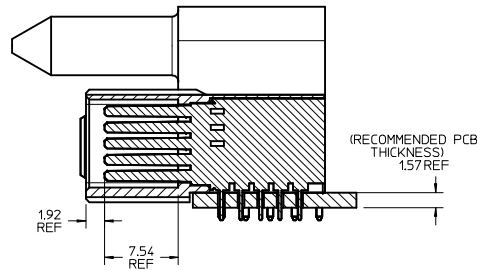
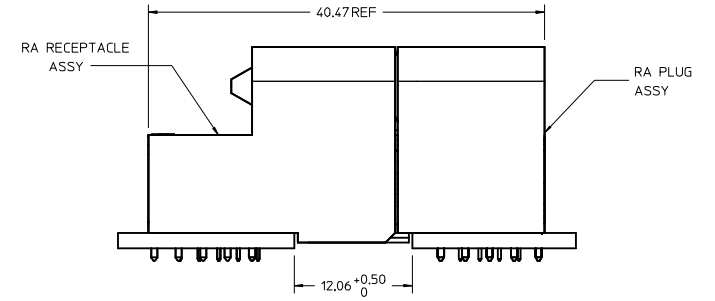


P/N: 46437-1241



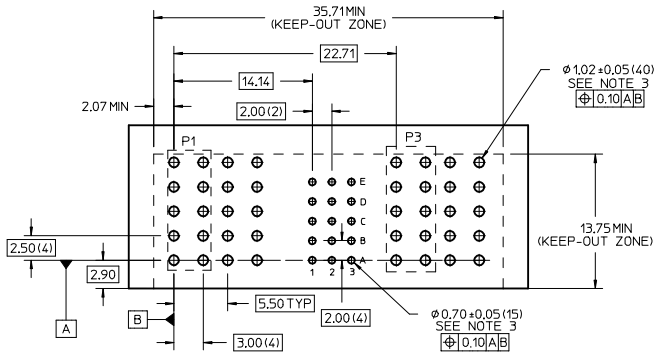
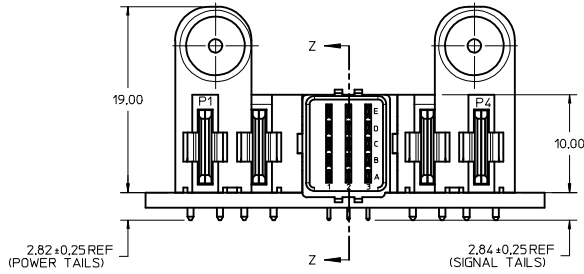
SECTION Z-Z



MATING PROFILE

NOTES:

1. MATERIAL:
 - HOUSINGS: LCP UL94 V-0, COLOR: BLACK.
 - TERMINALS: COPPER ALLOY.
 - PLATING: 0.000127 NICKEL OVERALL WITH 0.00254 SELECTIVE MATTE TIN ON TAILS AND 0.000762 SELECTIVE GOLD ON CONTACT AREA.
2. PACKAGING ASSEMBLIES TO BE TRAY PACKED, STD. QUANTITY: TBD.
3. PC BOARD REQUIRES SOLDER THRU HOLES, REFER TO PS-46436-100 FOR DETAILS.
4. PRODUCT SPEC: PS-46436-100.
5. APPLICATION SPEC: AS-46436-100.
6. SEE PRODUCT SPEC, FOR RoHS REQUIREMENTS.
7. ASSEMBLY MATES WITH MOLEX RECEPTACLE ASSEMBLY, P/N 46562-1241 OR 46436-1241.



RECOMMENDED PCB LAYOUT AND KEEP-OUT ZONE

PRIMARY RELEASE IEC NO: UCP2011-3524 DRAWN BY: IMPATIL CHYDKLEE APPR: APATEL DATE: 2011/05/16 DATE: 2011/05/16 DATE: 2012/12/13	QUALITY SYMBOLS	GENERAL TOLERANCES (UNLESS SPECIFIED)	DIMENSION STYLE	SCALE	DESIGN UNITS	THIRD ANGLE PROJECTION
	∇=0 ∇=0 ∇=0	mm INCH 4 PLACES ±--- ±--- 3 PLACES ±--- ±--- 2 PLACES ±0.25 ±--- 1 PLACE ±0.25 ±--- ANGULAR ±1/2°	MM ONLY DRAWN BY: DATE: IMPATIL 2011/05/16 CHECKED BY: DATE: KLEE 2011/05/16 APPROVED BY: DATE: APATEL 2012/12/13	4:1	METRIC	
	DRAFT WHERE APPLICABLE MUST REMAIN WITHIN DIMENSIONS	MATERIAL NO. 46437-1241 SIZE D	MOLEX INCORPORATED DOCUMENT NO. SD-46437-1241			SHEET NO. 1 OF 1