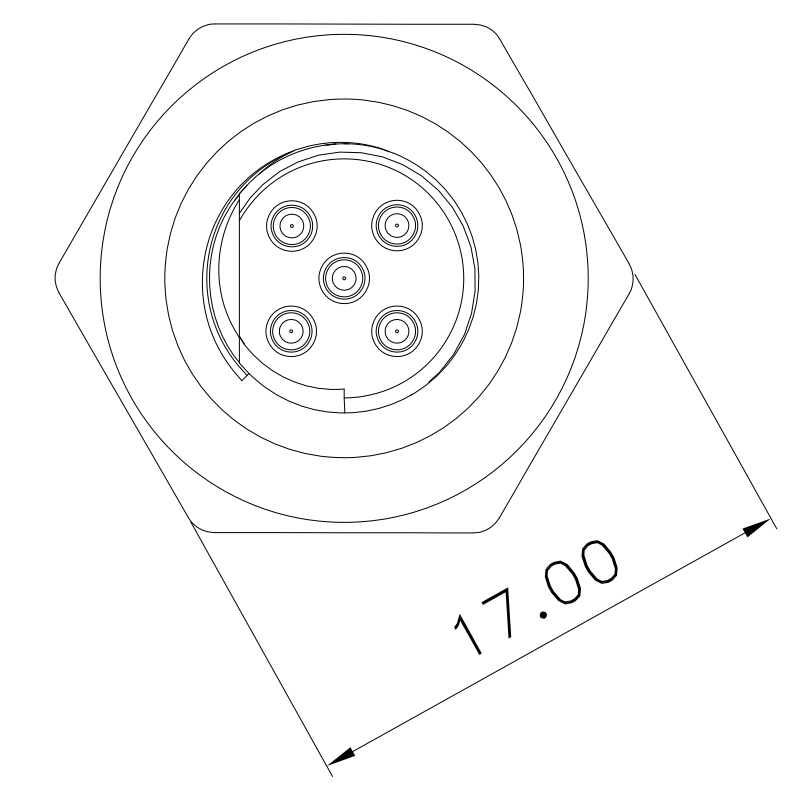
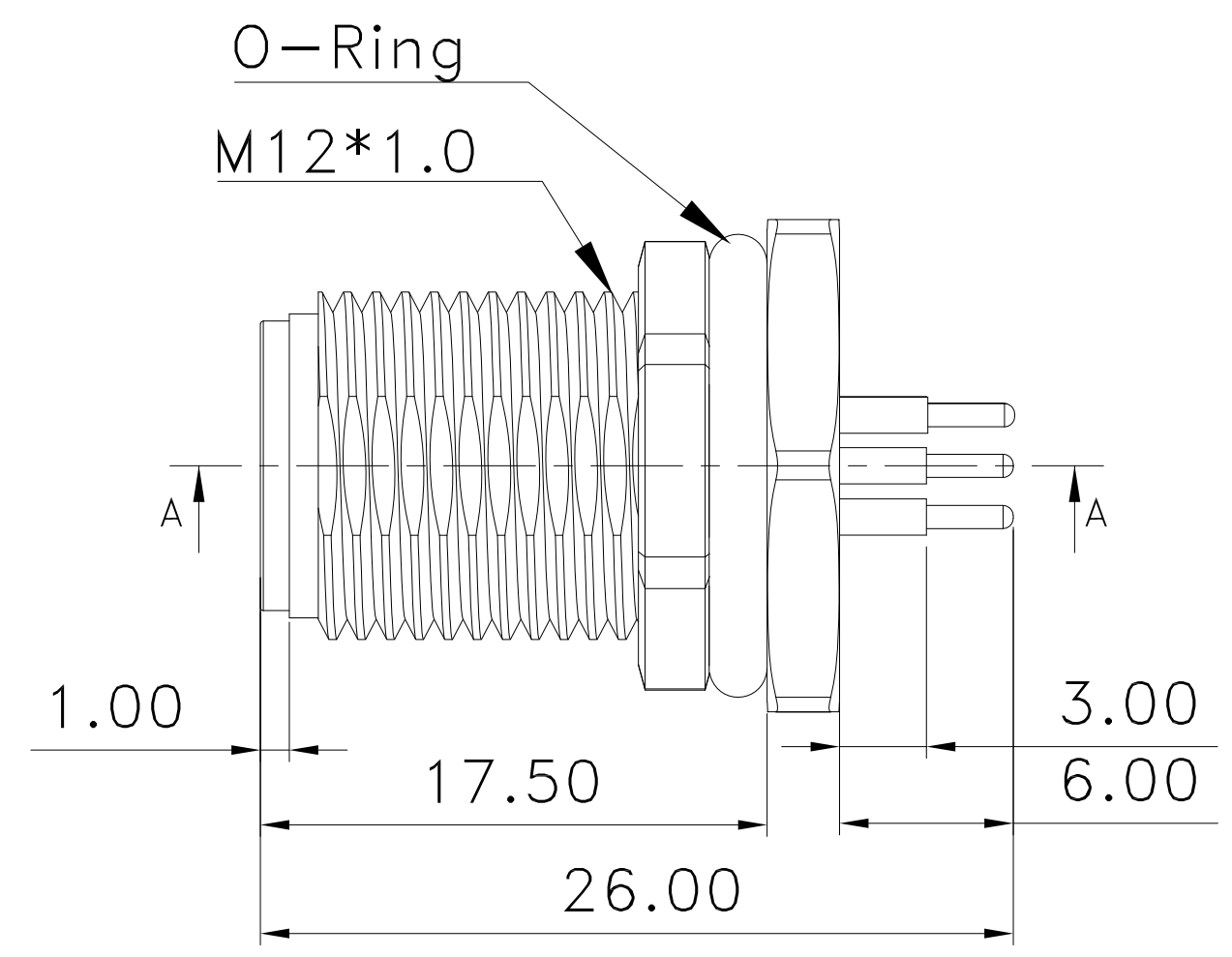
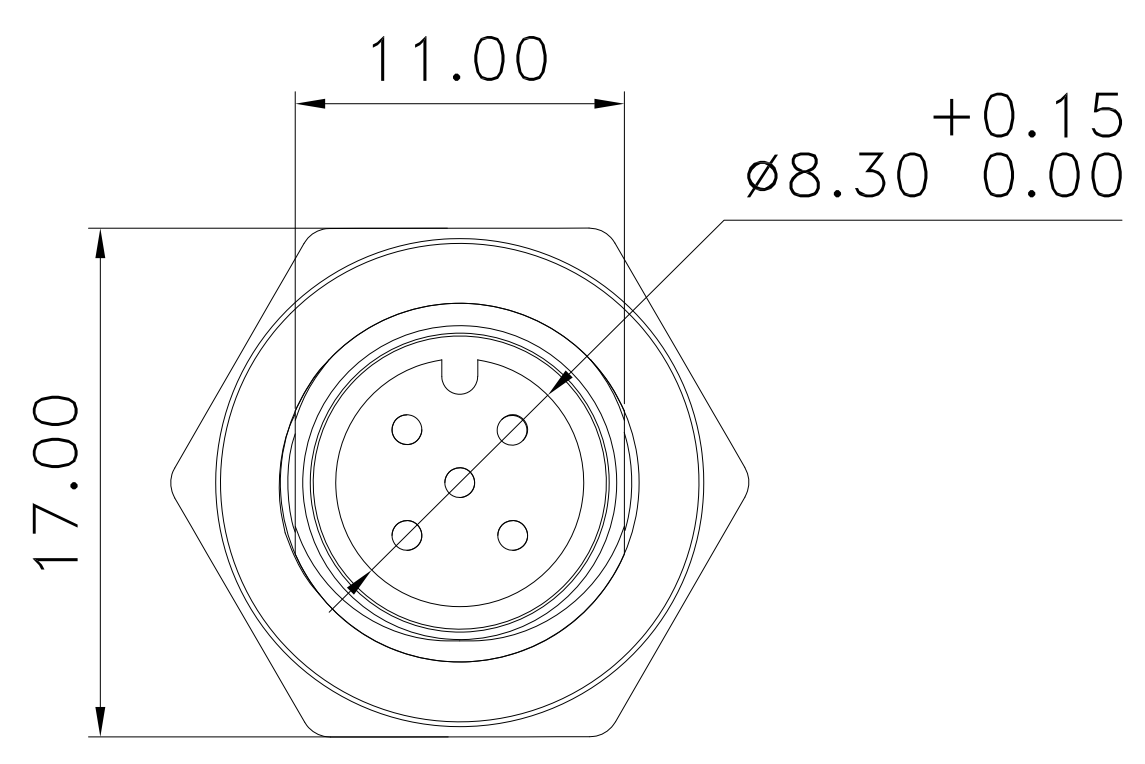
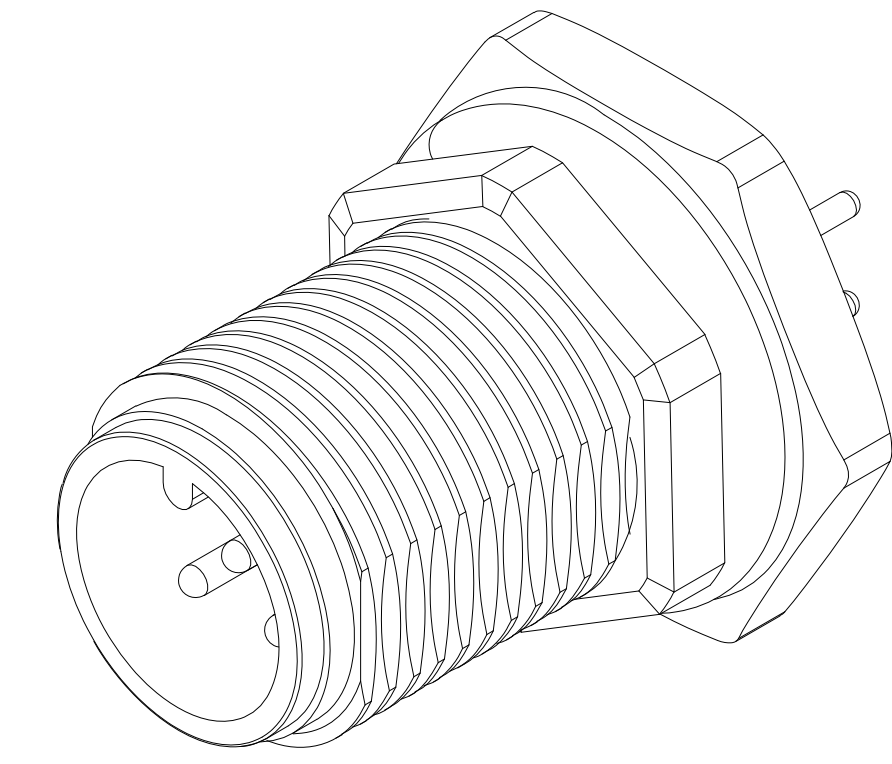
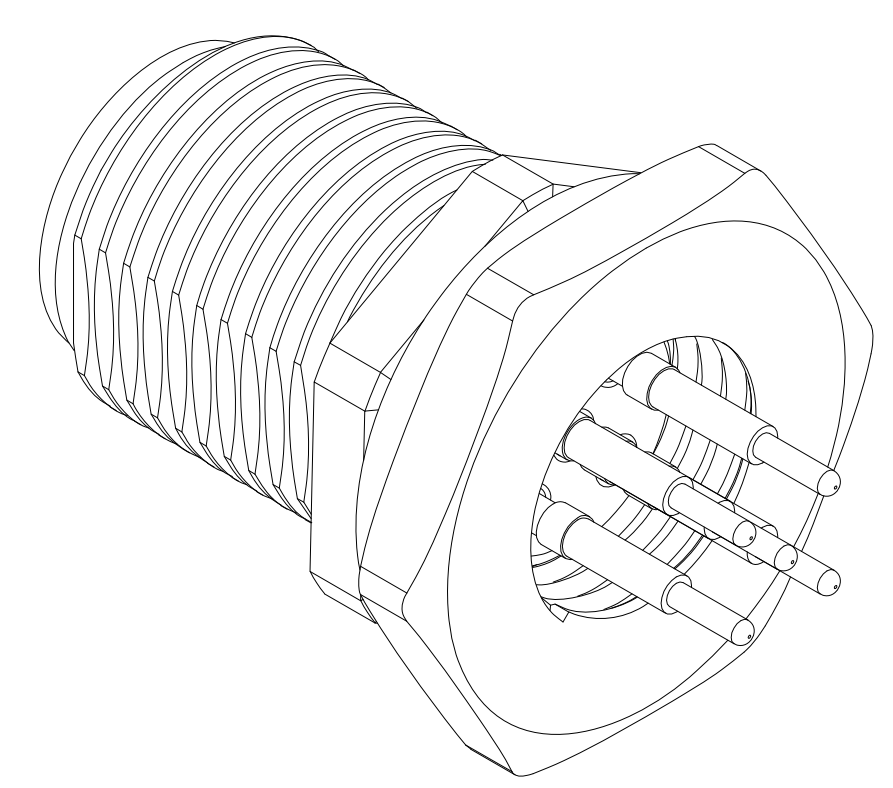
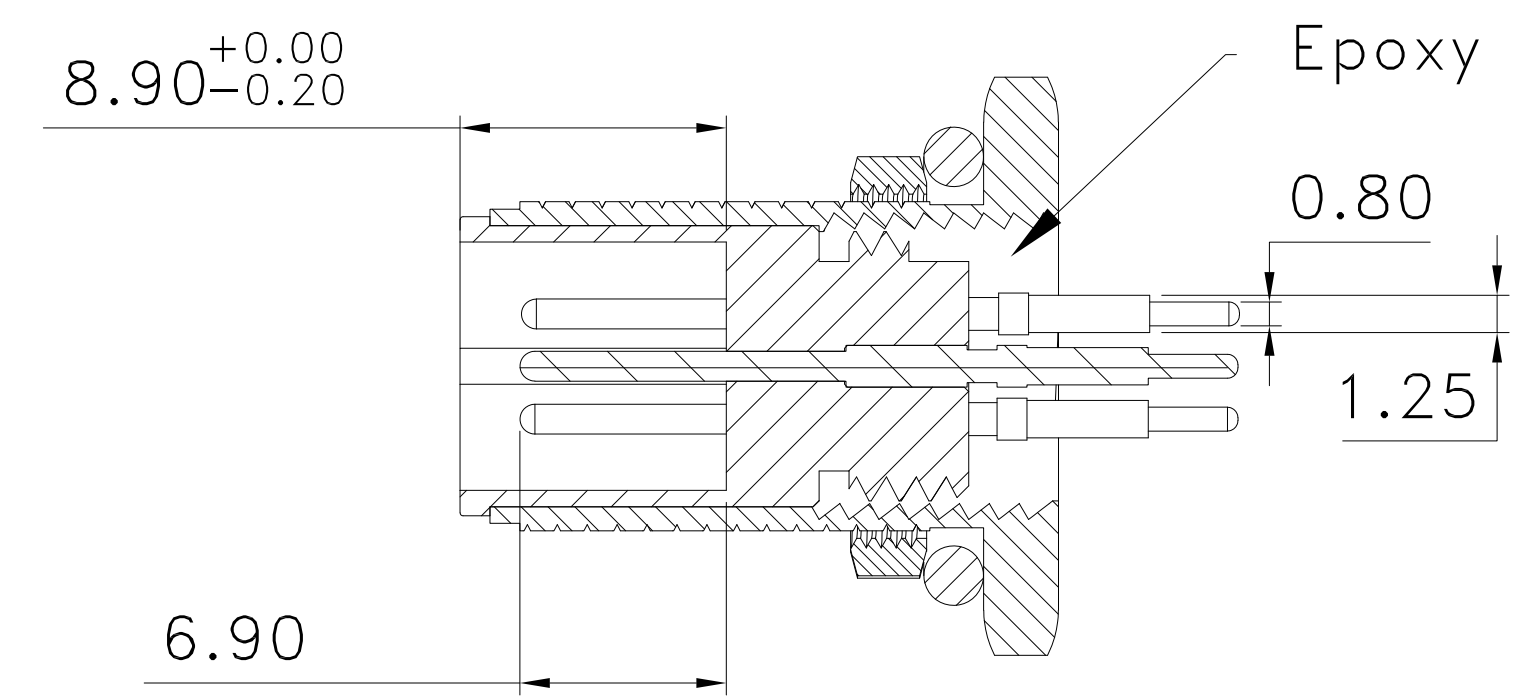


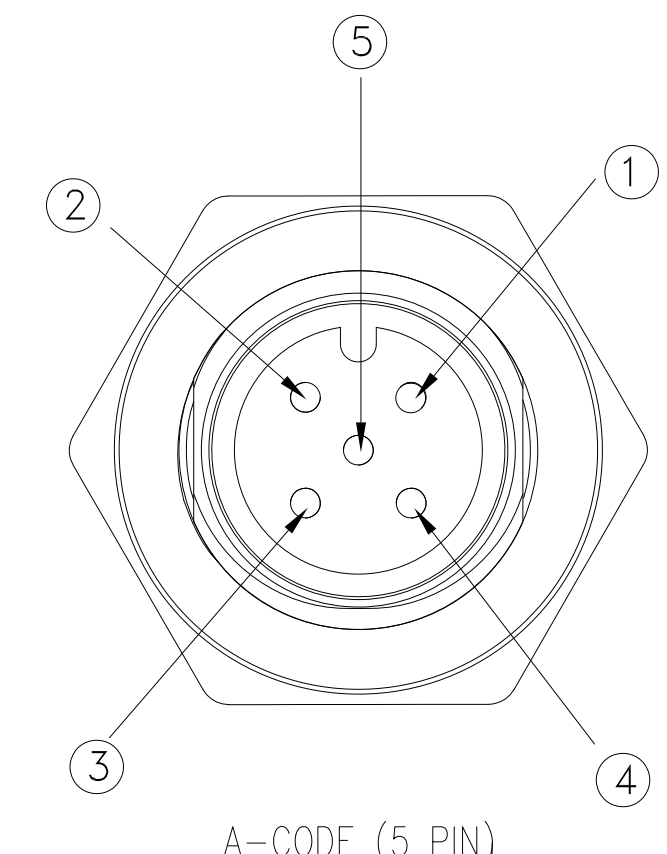
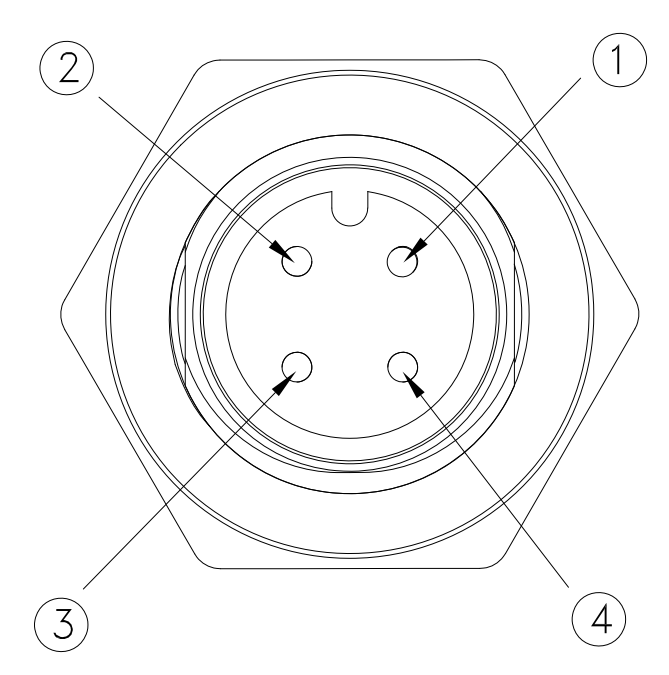
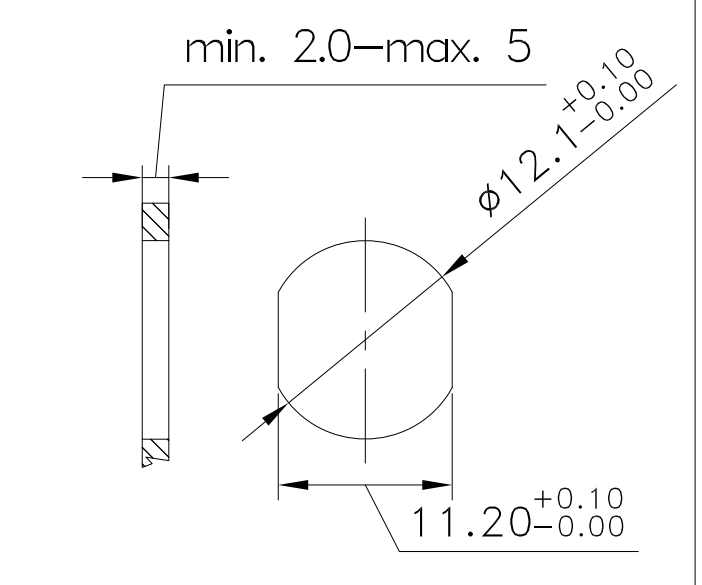
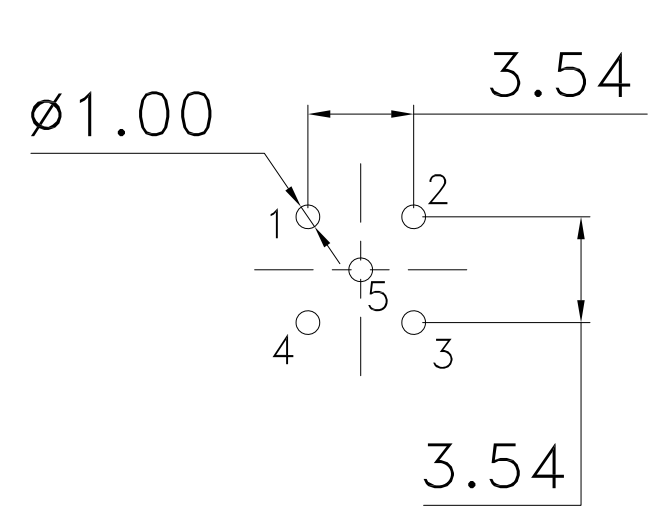
DATE	REV	REVISION CHANGES	ECN	APP'D. BY
09/19/18	A0	AS DRAWN	-	ADB



- NOTES:
- CONNECTOR MATERIALS:
HOUSING: THERMOPLASTIC UL94 V-0
CONTACTS/SHIELD: COPPER ALLOY
O-RING MATERIAL: SILICONE UL94 V-0
EPOXY POTTING COMPOUND IN REAR CAVITY
SHIELD PLATING: NICKEL
CONTACT PLATING: SELECTIVE GOLD (1 μ IN) OR EQUIVALENT IN THE CONTACT AREA
 - FOR PRODUCT SPECIFICATIONS SEE PRO39-01
 - DIMENSIONS AND TOLERANCES COMPLY WITH IEC 61076-2-101 STANDARD.
 - THE SUGGESTED PANEL OPENING IS INTENDED TO GIVE USER THE ABILITY TO HAVE REASONABLE JACK/PANEL CLEARANCES
 - CODING: A-STANDARD
 - 1 μ IN GOLD PLATING ON PCB MOUNT PINS
 - CURRENT RATING: 4 AMPS MAX
 - INSULATION RESISTANCE: 100 MOHMS MIN @ 500 VDC
 - DEGREE OF PROTECTION: IP67
 - TEMPERATURE RANGE: -20°C TO +85°C
 - MATING CYCLES: 100 INSERTIONS



SECTION A-A



5	SS-12000-004
4	SS-12000-003
NUMBER OF CONTACTS	PART NUMBER

THIRD ANGLE PROJECTION

DO NOT SCALE DRAWING
DRAWING IS SUBJECT TO CHANGE WITHOUT NOTICE

UNLESS OTHERWISE SPECIFIED TOLERANCES ARE ± 0.13 (.005) ANGLES ARE $\pm 1^\circ$

SHEET NO. 1 OF 1

THIS DRAWING AND THE SUBJECT MATTER SHOWN THEREON ARE CONFIDENTIAL AND THE PROPRIETARY PROPERTY OF STEWART CONNECTOR AND SHALL NOT BE REPRODUCED, COPIED, OR USED IN ANY MANNER WITHOUT PRIOR WRITTEN CONSENT OF STEWART CONNECTOR. ONE OR MORE U.S. PATENTS MAY APPLY TO THIS PRODUCT. FOR DETAILS, PLEASE VISIT: [HTTP://BELFUSE.COM/STEWART/STEWART_PATENTS/](http://BELFUSE.COM/STEWART/STEWART_PATENTS/)

11118 Susquehanna Trail South
Glen Rock, PA 17327-9199
(717) 235-7512
<http://www.stewartconnector.com>

DRN BY: BTS DATE: 08/23/18
APP'D BY: ADB DATE: 09/19/18
DWG NO.: CT120002 REV: A0

