

6

5

4

3

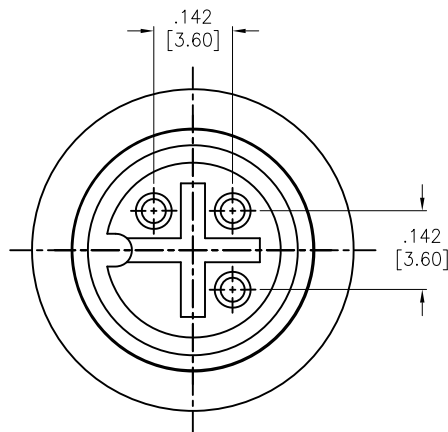
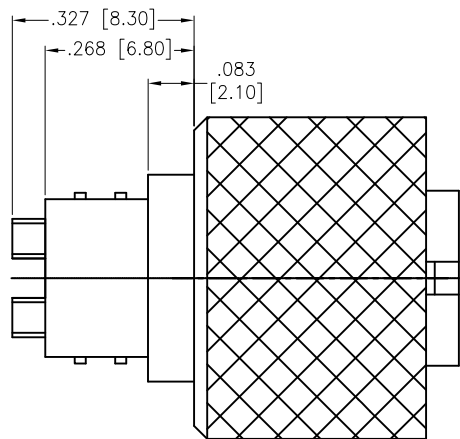
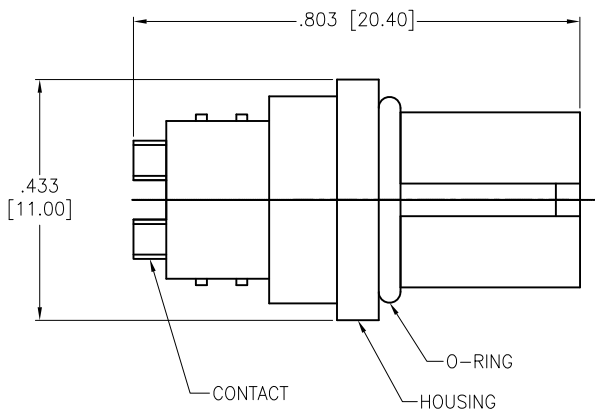
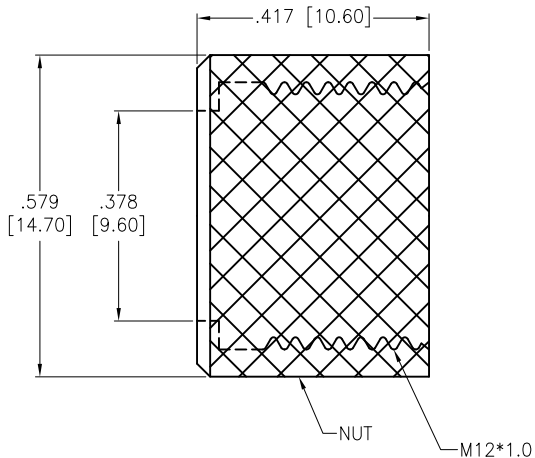
2

1

APPROVED: _____

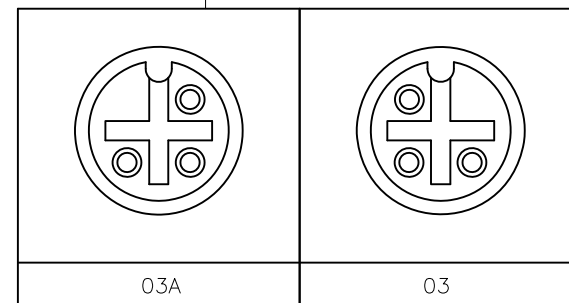
DATE: _____ TITLE: _____

Rev	AWO #	Description	Date	Appr
-		RELEASED	9/5/19	



Assembly

SD-PMA03X-FFTS3



SPECIFICATIONS:

Material:
Housing: PBT, Color: Black
Contacts: Brass, 10u" Gold over Nickel plated
Nut: Brass, Nickel plated
O-ring: EPDM, Color: Black
Electrical:
Voltage rating: 125 V
Current rating: 5 A
Water Proof: IPX7
Temperature Rating:
Operating temperature: -20°C to +85°C
Environmental:
Lead free, RoHS compliant.



UNLESS OTHERWISE SPECIFIED
ALL DIMENSIONS ARE INCHES [MM]
TOLERANCES: EXCEPT AS NOTED
INCHES HOLES
.X ± .10 Ø.X ± .10
.XX ± .020 Ø.XX ± .015
.XXX ± .015 Ø.XXX ± .010

ADAM TECH
INTERCONNECTS
909 Rahway Avenue,
Union, NJ 07083
Phone: 908-687-5000
Fax: 908-687-5710

APPROVALS		DATE
DRAWN	LH	9/5/19
CHECKED	RC	9/5/19
APPROVED		

TITLE WATERPROOF CONNECTOR, FEMALE, M12, A-CODING, SEMI-FINISHED PRODUCT		
SIZE X	PART NO. SD-PMA03X-FFTS3	REV. -
REF: S00298T	SCALE: NTS	SHEET 1 OF 1

6

5

4

3

2

1