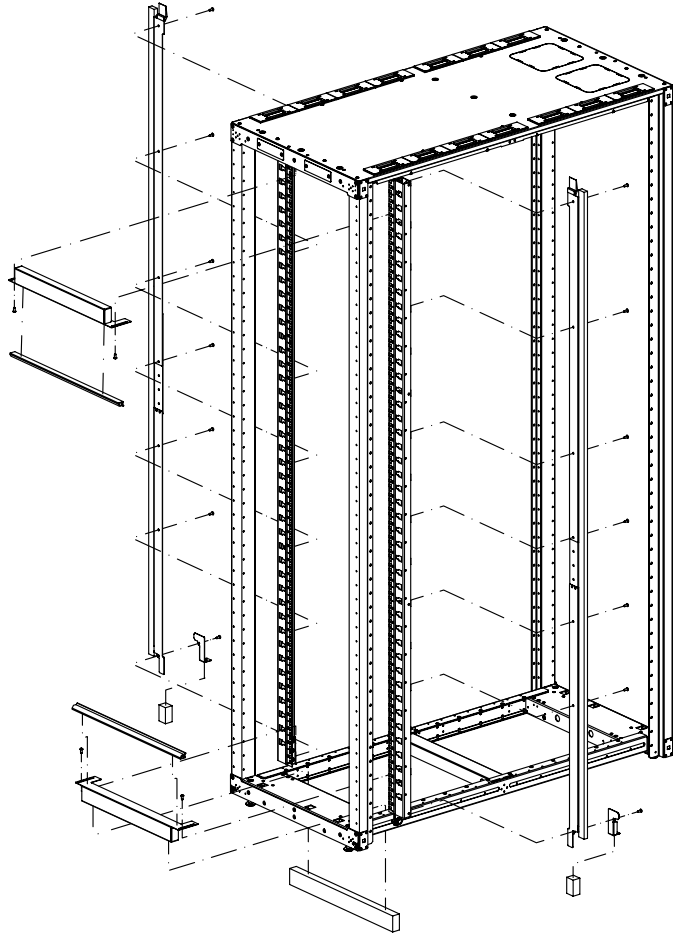


2

1

THIS COPY IS PROVIDED ON A RESTRICTED BASIS AND IS NOT TO BE USED IN ANY WAY DETRIMENTAL TO THE INTERESTS OF PANDUIT CORP.

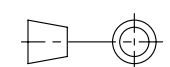


APPLICATION VIEW -
CABINET NOT INCLUDED

PANDUIT PART NO.	WEIGHT
S6VBPN	17.0 LBS/EACH 7.7 Kg/EACH

- VISIT OUR ON-LINE CATALOG AT WWW.PANDUIT.COM FOR A LIST OF CURRENT PARTS APPLICABLE FOR USE WITH THIS PRODUCT.
- DIMENSIONS IN PARENTHESES ARE METRIC [mm].
- VERTICAL BLANKING PANELS BLOCK BYPASS AIR AND DIRECT COLD AIRFLOW THROUGH EQUIPMENT.
- PARTS SUPPLIED:
 - 1- 42-48RU RIGHT VERTICAL BLANKING PANEL
 - 1- 42-48RU LEFT VERTICAL BLANKING PANEL
 - 2- HORIZONTAL BLANKING PANEL
 - 1- HARDWARE AND SEAL KIT
 - 1- INSTRUCTION SHEET
- FULLY BONDED STRUCTURE WHEN ASSEMBLED PER INSTRUCTIONS.

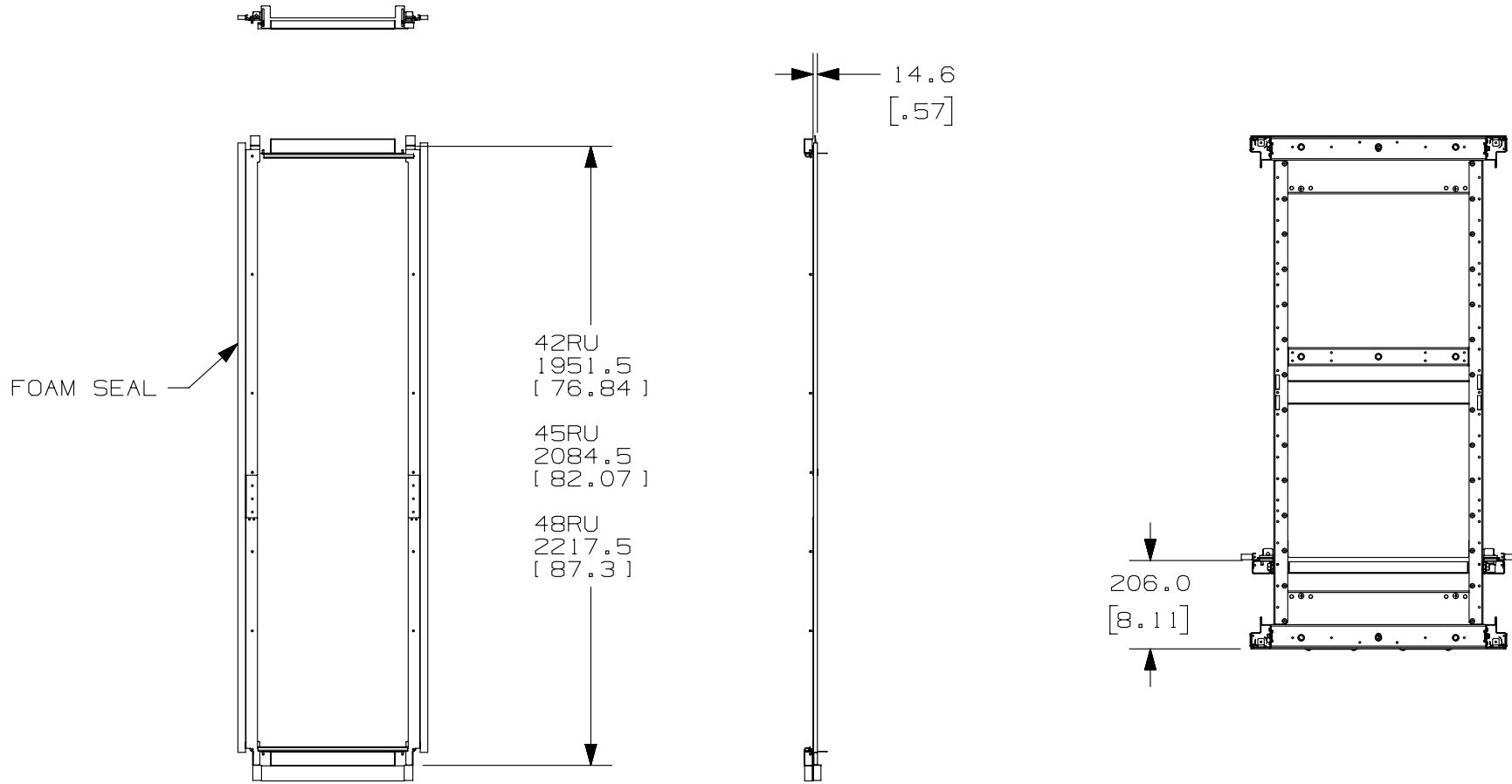
REV	DATE	BY	CHK	APR	DESCRIPTION	ECN
01A	11-22-13	PBS	ROJC	JDWE	RELEASED TO PRODUCTION	13V379WA-DC

TITLE S6VBPN			
CUSTOMER DRAWING			
ITEM REVISION NAME 13V379WA/01.PRT		PANDUIT ™	
DATASET FILE NAME 13V379WA_DC/01A.PRT		MATERIAL/COLOR: N/A	
UNLESS OTHERWISE SPECIFIED, DIMENSIONAL TOLERANCES ARE:		DRAWING NUMBER: 13V379WA-DC	
INCHES X.X +/- 0.03 X.XX +/- 0.018 X.XXX +/- 0.007	METRIC - MILLIMETER X +/- 0.8 X.X +/- 0.46 X.XX +/- 0.18	ANGLE +/- 1°	
 THIRD ANGLE PROJECTION		SCALE NONE	SIZE A
DRAWN BY PBS	DATE 11-22-13	CHK ROJC	SHT 1 OF 2

2

1

THIS COPY IS PROVIDED ON A RESTRICTED BASIS AND IS NOT TO BE USED IN ANY WAY DETRIMENTAL TO THE INTERESTS OF PANDUIT CORP.



01A	11-22-13	PBS	ROJC	JDWE	SEE SHEET 1 OF 2 FOR REVISIONS				13V379WA-DC
REV	DATE	BY	CHK	APR	DESCRIPTION				ECN

TITLE				S6VBPN			
				CUSTOMER DRAWING			
ITEM REVISION NAME				13V379WA/01.PRT			
DATASET FILE NAME				13V379WA_DC/01A.PRT			
UNLESS OTHERWISE SPECIFIED, DIMENSIONAL TOLERANCES ARE:				MATERIAL/COLOR:			
INCHES		METRIC - MILLIMETER		ANGLE		N/A	
X.X	+/- 0.03	X.	+/- 0.8				
X.XX	+/- 0.018	X.X	+/- 0.46		+/- 1°		
X.XXX	+/- 0.007	X.XX	+/- 0.18				
				DRAWING NUMBER:		13V379WA-DC	
DRAWN BY		DATE		CHK		SCALE	
PBS		11-22-13		ROJC		NONE	
				THIRD ANGLE PROJECTION			
				SHT 2 OF 2		A	