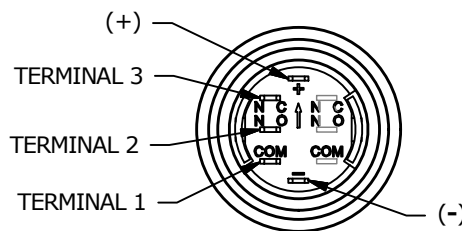
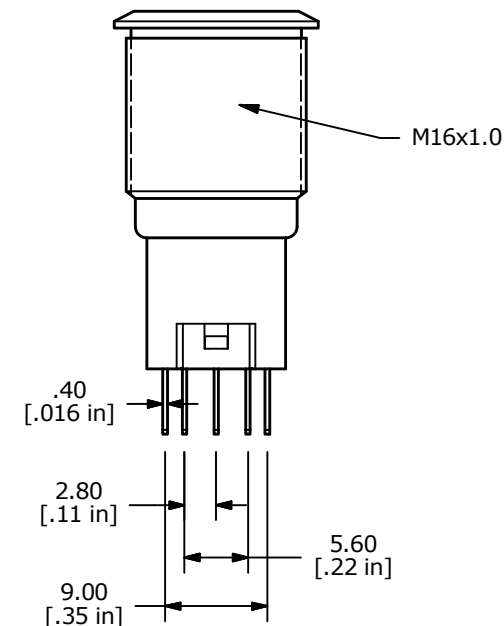
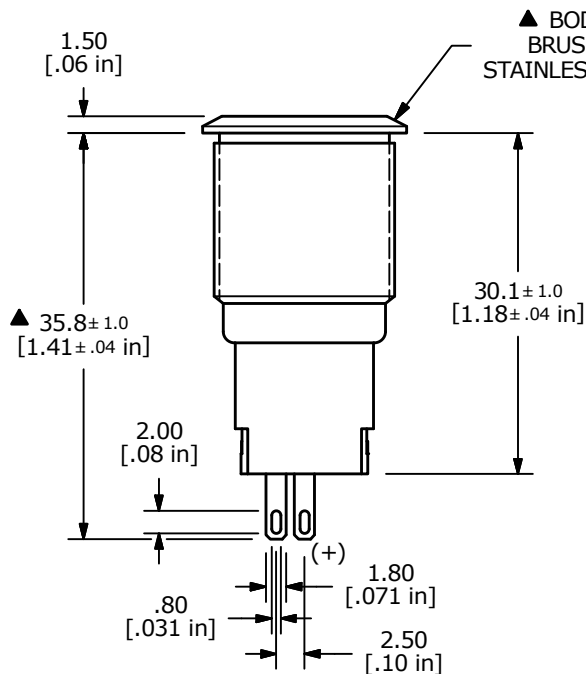
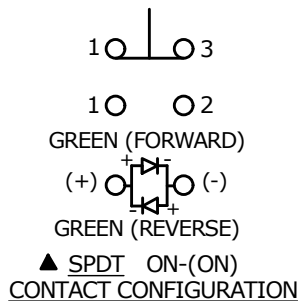


SWITCH FUNCTION	
POS. 1	POS. 2
ON	(ON)
1-3	1-2

(ON) = MOMENTARY



- NOTE:
- ALL DIMENSIONS IN MM [INCH]
  - GENERAL TOLERANCE: X.X = ±0.4  
X.XX = ±0.25
  - TERMINAL NUMBERS FOR REF ONLY
  - CONTACT MATERIAL: SILVER
  - RATING: 2A 48VDC
  - ELECTRIC LIFE: 50,000 MAKE-AND-BREAK CYCLES AT FULL LOAD.
  - INSULATION RESISTANCE: 1,000 MΩ MIN.
  - DIELECTRIC STRENGTH: 2,000 VAC MIN. FOR 1 MINUTE
  - CONTACT RESISTANCE: 50mΩ MAX. @ 1A 12VDC
  - OPERATING TEMP.: -20°C to 55°C
  - ▲ DENOTES CRITICAL PARAMETER.
  - ▲ 12. HARDWARE SUPPLIED: O-RING AND HEXNUT
  13. INGRESS RATING: IP40
  - ▲ 14. LAMP VOLTAGE: 24V

E	23612	update +/- Terminals	10/11/18	MW
D	23357	UPDATED RATING TO 2A 48VDC	5/11/18	MJR
C	22880	UPDATED RATING TO 1A 24VDC	6/7/17	MJR
REV	PCR NO	DESCRIPTION	DATE	BY



TITLE PV3F2B0BB-235				
SCALE	DATE	DR	DWG	REV
3:2	8/28/2012	MW	52-PV3F2B0BB235	E