

| | | | | |
|---|------|---------------------|----------------------|----------------|
|  | Date | 22-Jan-2021 | SPECIFICATION | OLE WOLFF |
| | Page | 1 / 8 | | www.owolff.com |
| | DK | P/N: OWS-484833TA-4 | | Revision: 00 |

SPECIFICATION FOR APPROVAL

Speaker

| | |
|--------------|--|
| Part Number | OWS-484833TA-4 |
| Note | This item was compliance with the following requirements: 1. RoHS directive 2. REACH |
| Customer P/N | |


| | | | | |
|-----------|---------------------|---------------------------|---------|----------|
| Ole Wolff | Signature / Date | Prepared | Checked | Approved |
| | | TANQIANFENG 2021.01.22 | | |

| | | | | |
|----------|---------------------|--------------|--|--|
| Customer | Signature / Date | Confirmation | | |
| | | | | |

REVISION NOTES:

| Date | Rev. | Description of Revision |
|------------|------|-------------------------|
| 2021.01.22 | 00 | Initial Release |
| | | |
| | | |

| | | | | | | |
|---|--|--|---|--|---|---|
| OLE WOLFF ELEKTRONIK A/S Roedengvej 25 4180 Soroe Denmark TEL: +45 57833830 FAX: +45 57820019 | OLE WOLFF ELECTRONICS INC. 1525 McCarthy Blvd, Suite 1093 Mhlptas, Ca 95035 USA TEL: +1 408 888 8413 | OLEWOLFF ELEKTRONIK GmbH Schulstrasse 15A. DE-25451 Quickborn. Germany TEL: +49 (0) 4106 765900 FAX: +49 (0) 4106 627297 | OLEWOLFF ELECTRONICS 3 Bedford Street, Woburn, Bedfordshire MK17 9QB, ENGLAND TEL: +44 (0) 1525 290755 FAX: +44 (0) 1525 290855 | OLE WOLFF ELEKTRONIK Yhlopistonkatu 26 (P.O.BOX 257) FI-40101 Jyväskylä Finland TEL: +358 14 338 3050 FAX: +358 14 338 3059 | OLE WOLFF (ASIA) LTD. Unit B, 19/F, Bold Win Ind. Bldg., No. 16-18 Wah Sing St., Kwai Chung, N.T., H.K. TEL: +852 2424 3274 FAX: +852 2424 2219 | OLE WOLFF LTD. 5 Floor, Block G, WenTao Industrial Park, YingRenShi, Bao'an District, Shenzhen, PRC TEL: +86 755 82612542 TEL: +86 755 26406156 |
|---|--|--|---|--|---|---|

| | | | | |
|---|------|---------------------|----------------------|----------------|
|  | Date | 22-Jan-2021 | SPECIFICATION | OLE WOLFF |
| | Page | 2 / 8 | | www.owolff.com |
| | DK | P/N: OWS-484833TA-4 | | Revision: 00 |

1. SCOPE

THIS SPECIFICATION IS APPLIED FOR A DYNAMIC SPEAKER.

2. TEST CONDITIONS

TEMPERATURE : 18 °C ~ 22 °C

HUMIDITY : 65% +/-5% (R.H.)

ATMOSPHERE : 860 ~ 1060 hPa

3. GENERAL REQUIREMENTS

OPERATING TEMPERATURE RANGE: -20 °C ~ 60 °C

STORAGE TEMPERATURE RANGE: -25 °C ~ 70 °C

4. MECHANICAL LAYOUT & DIMENSIONS


DIMENSIONS : SHOWN IN FIGURE.8

NET WEIGHT: approx 76g

5. ELECTRICAL AND ACOUSTICAL CHARACTERISTICS

| | | |
|---|---------------------------------|--|
| 1 | IMPEDANCE | $4 \pm 15\% \Omega$ /1.0KHz/2V |
| 2 | SOUND PRESSURE LEVEL | 83±2 dB(1.0W/1.0M) AVERAGE AT From 2KHZ to 4KHZ MEASUREMENT AS SHOWN IN FIGURE.2 |
| 3 | FREQUENCY RESPONSE | F0~20KHz (FIGURE.2) |
| 4 | RESONANCE FREQUENCY | $170 \pm 20\%$ Hz/ 2.0V |
| 5 | TOTAL HARMONIC DISTORTION (THD) | 5%MAX. at 1KHz,1.0W. |
| 6 | MAGNET | NdFeB $\phi 19 \times 7$, $\phi 15 \times 3.5$ mm |
| 7 | INPUT POWER | (Nom./Max.): 6.0W / 8.0 W (F0~20KHz) |


| | | | | | | |
|---|--|--|---|--|--|---|
| OLE WOLFF ELEKTRONIK A/S Roedengvej 25 4180 Soroe Denmark TEL: +45 57833830 FAX: +45 57820019 | OLE WOLFF ELECTRONICS INC. 1525 McCarthy Blvd, Suite 1093 Mhlptas, Ca 95035 USA TEL: +1 408 888 8413 | OLEWOLFF ELEKTRONIK GmbH Schulstrasse 15A. DE-25451 Quickborn. Germany TEL: +49 (0) 4106 765900 FAX: +49 (0) 4106 627297 | OLEWOLFF ELECTRONICS 3 Bedford Street, Woburn, Bedfordshire MK17 9QB, ENGLAND TEL: +44 (0) 1525 290755 FAX: +44 (0) 1525 290855 | OLE WOLFF ELEKTRONIK Yhlopistonkatu 26 (P.O.BOX 257) FI-40101 Jyväskylä Finland TEL: +358 14 338 3050 FAX: +358 14 338 3059 | OLE WOLFF (ASIA) LTD. Unit B, 19/F., Bold Win Ind. Bldg., No. 16-18 Wah Sing St., Kwai Chung, N.T., H.K. TEL: +852 2424 3274 FAX: +852 2424 2219 | OLE WOLFF LTD. 5 Floor, Block G, WenTao Industrial Park, YingRenShi, Bao'an District, Shenzhen, PRC TEL: +86 755 82612542 TEL: +86 755 26406156 |
|---|--|--|---|--|--|---|

| | | | | |
|---|------|---------------------|----------------------|----------------|
|  | Date | 22-Jan-2021 | SPECIFICATION | OLE WOLFF |
| | Page | 3 / 8 | | www.owolff.com |
| | DK | P/N: OWS-484833TA-4 | | Revision: 00 |

6. RELIABILITY TEST REQUIREMENTS.

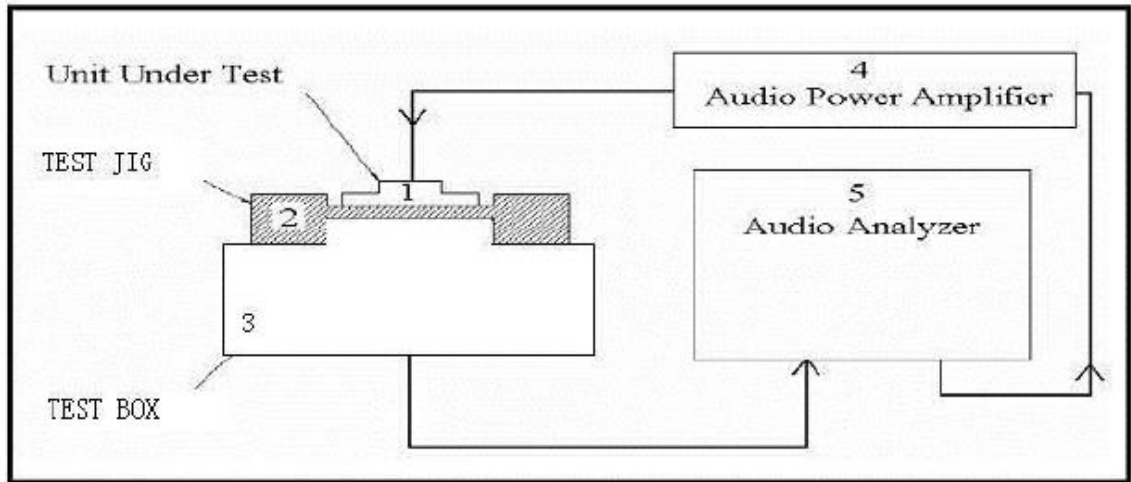
| After any following tests the S.P.L should not deviate more than $\pm 3\text{dB}$ from initial value. | | |
|---|---------------------------|--|
| N o. | ITEMS | TEST CONDITION |
| 1. | High Temp. Test | Keep 96 hours at $+70^{\circ}\text{C} \pm 3^{\circ}\text{C}$ and leave 3 hours in normal temperature and then check |
| 2. | Low Temp. Test | Keep 96 hours at $-25^{\circ}\text{C} \pm 3^{\circ}\text{C}$ and leave 3 hours in normal temperature and then check |
| 3. | Humidity Test | Keep 96 hours at $+40^{\circ}\text{C} \pm 3^{\circ}\text{C}$ relative humidity 95% and leave 3 hours in normal temperature and then check |
| 4. | Thermal cycle Test | Low temperature: $-25^{\circ}\text{C} \pm 3^{\circ}\text{C}$, High temperature: $+70^{\circ}\text{C} \pm 3^{\circ}\text{C}$, cycle: 1 hour/cycle each, total 5 cycles. |
| 5. | Vibration Test | 10~55~10Hz sin-wave sweep 15min.5G(constant);X,Y,Z 3 direction,2hours each, total 6 hours. |
| 6. | Drop Test | Free drop from 100cm height to a board of 20mm thick x,y, z 6 direction. 1 times each, total 6 times. |
| 7. | Load Test | Rated Power (F0-20KHZ) white noise is applied for 96 hours |
| 8. | Max Power Test | Max Power (F0-20KHZ) 1min on, 2min off, 10cycles. |

| | | | | | | |
|---|--|--|---|---|---|---|
| OLE WOLFF ELEKTRONIK A/S Roedengvej 25 4180 Soroe Denmark TEL: +45 57833830 FAX: +45 57820019 | OLE WOLFF ELECTRONICS INC. 1525 McCarthy Blvd, Suite 1093 MHPitas, Ca 95035 USA TEL: +1 408 888 8413 | OLEWOLFF ELEKTRONIK GmbH Schulstrasse 15A. DE-25451 Quickborn. Germany TEL: +49 (0) 4106 765900 FAX: +49 (0) 4106 627297 | OLEWOLFF ELECTRONICS 3 Bedford Street, Woburn, Bedfordshire MK17 9QB, ENGLAND TEL: +44 (0) 1525 290755 FAX: +44 (0) 1525 290855 | OLE WOLFF ELEKTRONIK Yhöpistonkatu 26 (P.O.BOX 257) FI-40101 Jyväskylä Finland TEL: +358 14 338 3050 FAX: +358 14 338 3059 | OLE WOLFF (ASIA) LTD. Unit B, 19/F, Bold Win Ind. Bldg., No. 16-18 Wah Sing St., Kwai Chung, N.T., H.K. TEL: +852 2424 3274 FAX: +852 2424 2219 | OLE WOLFF LTD. 5 Floor, Block G, WenTao Industrial Park, YingRenShi, Bao'an District, Shenzhen, PRC TEL: +86 755 82612542 TEL: +86 755 26406156 |
|---|--|--|---|---|---|---|

| | | | | |
|---|------|---------------------|----------------------|----------------|
|  | Date | 22-Jan-2021 | SPECIFICATION | OLE WOLFF |
| | Page | 4 / 8 | | www.owolff.com |
| | DK | P/N: OWS-484833TA-4 | | Revision: 00 |

7. ELECTRICAL CHARACTERISTICS MEASUREMENT (FIG.1)

- MEASUREMENT CIRCUIT FOR DYNAMIC SPEAKER



- MEASURING EQUIPMENT

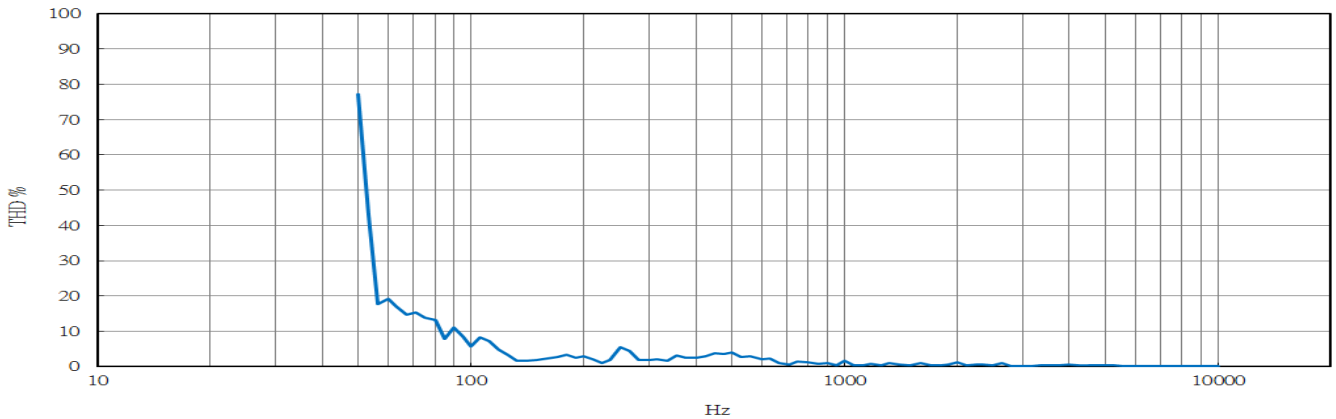
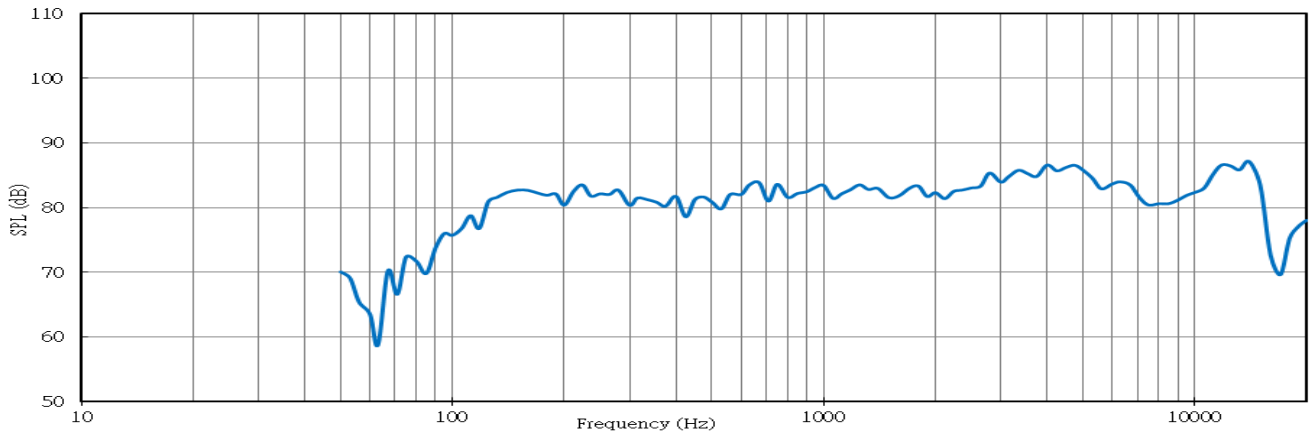
| NO | EQUIPMENT | REMARKS |
|-----|-----------------|--------------------------|
| 1.0 | UNIT UNDER TEST | SPEAKER |
| 2.0 | TEST JIG | 4848 |
| 3.0 | TEST BOX | OLE WOLFF STANDARD BOX |
| 4.0 | ANALYZER | Soundcheck AmpConnect TM |
| 5.0 | MICROPHONE | B&K 4191 |

| | | | | | | |
|---|---|--|---|---|---|---|
| OLE WOLFF ELEKTRONIK A/S Roedengvej 25 4180 Soroe Denmark TEL: +45 57833830 FAX: +45 57820019 | OLE WOLFF ELECTRONICS INC. 1525 McCarthy Blvd, Suite 1093 Milpitas, Ca 95035 USA TEL: +1 408 888 8413 | OLEWOLFF ELEKTRONIK GmbH Schulstrasse 15A. DE-25451 Quickborn. Germany TEL: +49 (0) 4106 765900 FAX: +49 (0) 4106 627297 | OLEWOLFF ELECTRONICS 3 Bedford Street, Woburn, Bedfordshire MK17 9QB, ENGLAND TEL: +44 (0) 1525 290755 FAX: +44 (0) 1525 290855 | OLE WOLFF ELEKTRONIK Yhöpistonkatu 26 (P.O.BOX 257) FI-40101 Jyväskylä Finland TEL: +358 14 338 3050 FAX: +358 14 338 3059 | OLE WOLFF (ASIA) LTD. Unit B, 19/F, Bold Win Ind. Bldg., No. 16-18 Wah Sing St., Kwai Chung, N.T., H.K. TEL: +852 2424 3274 FAX: +852 2424 2219 | OLE WOLFF LTD. 5 Floor, Block G, WenTao Industrial Park, YingRenShi, Bao'an District, Shenzhen, PRC TEL: +86 755 82612542 TEL: +86 755 26406156 |
|---|---|--|---|---|---|---|


| | | | | |
|---|------|---------------------|----------------------|----------------|
|  | Date | 22-Jan-2021 | SPECIFICATION | OLE WOLFF |
| | Page | 5 / 8 | | www.owolff.com |
| | DK | P/N: OWS-484833TA-4 | | Revision: 00 |

8. STANDARD FREQUENCY RESPONSE AND THD CURVES-Anechoic chamber (Fig.2)

1W, 1M in Anechoic chamber

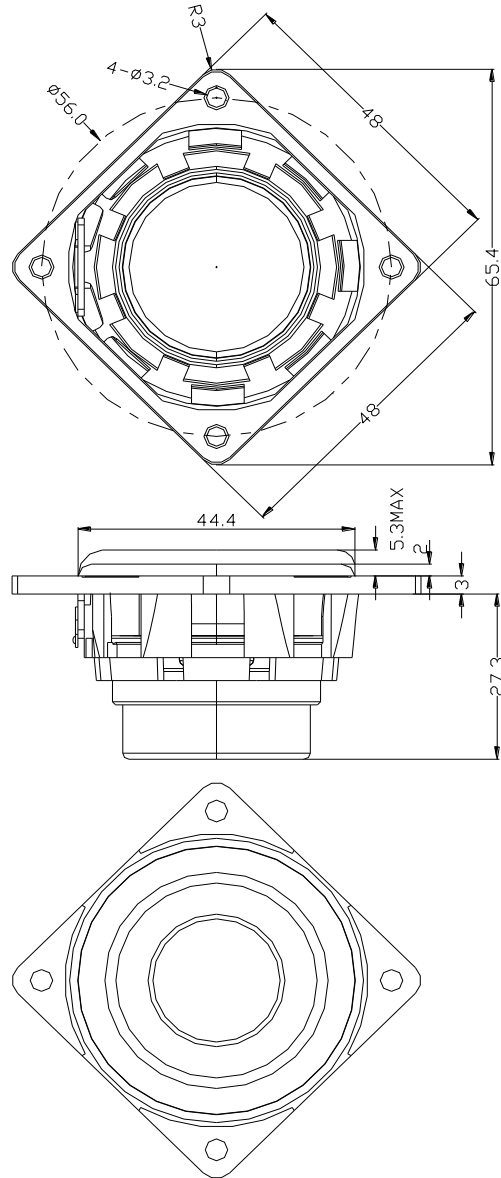


| | | | | | | |
|---|---|--|---|---|---|---|
| OLE WOLFF ELEKTRONIK A/S Roedengvej 25 4180 Soroe Denmark TEL: +45 57833830 FAX: +45 57820019 | OLE WOLFF ELECTRONICS INC. 1525 McCarthy Blvd, Suite 1093 Milpitas, Ca 95035 USA TEL: +1 408 888 8413 | OLEWOLFF ELEKTRONIK GmbH Schulstrasse 15A. DE-25451 Quickborn. Germany TEL: +49 (0) 4106 765900 FAX: +49 (0) 4106 627297 | OLEWOLFF ELECTRONICS 3 Bedford Street, Woburn, Bedfordshire MK17 9QB, ENGLAND TEL: +44 (0) 1525 290755 FAX: +44 (0) 1525 290855 | OLE WOLFF ELEKTRONIK Yhopistonkatu 26 (P.O.BOX 257) FI-40101 Jyväskylä Finland TEL: +358 14 338 3050 FAX: +358 14 338 3059 | OLE WOLFF (ASIA) LTD. Unit B, 19/F, Bold Win Ind. Bldg., No. 16-18 Wah Sing St., Kwai Chung, N.T., H.K. TEL: +852 2424 3274 FAX: +852 2424 2219 | OLE WOLFF LTD. 5 Floor, Block G, WenTao Industrial Park, YingRenShi, Bao'an District, Shenzhen, PRC TEL: +86 755 82612542 TEL: +86 755 26406156 |
|---|---|--|---|---|---|---|

| | | | | |
|---|------|---------------------|---|----------------|
|  | Date | 22-Jan-2021 | <h1 style="margin: 0;">SPECIFICATION</h1> | OLE WOLFF |
| | Page | 6 / 8 | | www.owolff.com |
| | DK | P/N: OWS-484833TA-4 | | Revision: 00 |

9.OUTVIEW (Fig.3)

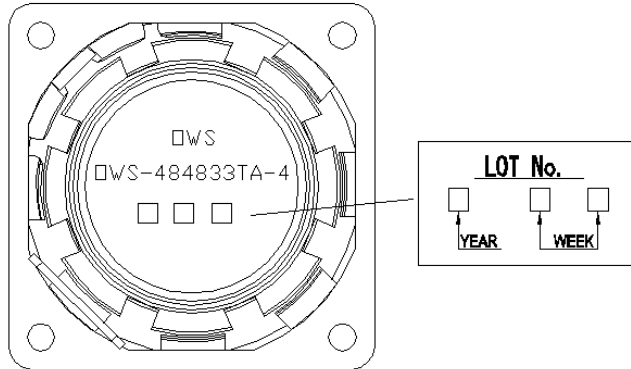
Unless otherwise specified, tolerance: ± 0.5 (unit: mm)



| | | | | | | |
|---|---|--|---|---|--|--|
| OLE WOLFF ELEKTRONIK A/S Roedengvej 25 4180 Soroe Denmark TEL: +45 57833830 FAX: +45 57820019 | OLE WOLFF ELECTRONICS INC. 1525 McCarthy Blvd, Suite 1093 Milpitas, Ca 95035 USA TEL: +1 408 888 8413 | OLEWOLFF ELEKTRONIK GmbH Schulstrasse 15A. DE-25451 Quickborn. Germany TEL: +49 (0) 4106 765900 FAX: +49 (0) 4106 627297 | OLEWOLFF ELECTRONICS 3 Bedford Street, Woburn, Bedfordshire MK17 9QB, ENGLAND TEL: +44 (0) 1525 290755 FAX: +44 (0) 1525 290855 | OLE WOLFF ELEKTRONIK Yhöpistonkatu 26 (P.O.BOX 257) FI-40101 Jyväskylä Finland TEL: +358 14 338 3050 FAX: +358 14 338 3059 | OLE WOLFF (ASIA) LTD. Unit B, 19/F, Bold Win Ind. Bldg., No. 16-18 Wah Sing St., Kwai Chung, N.T., H.K. TEL: +852 2424 3274 FAX: +852 2424 2219 | OLE WOLFF LTD. 5 Floor, Block G, WenTao Industrial Park, YingRenShi, Bao'an District, Shenzhen, PRC TEL: +86 755 82612542 TEL: +86 755 26406156 |
|---|---|--|---|---|--|--|

| | | | | |
|---|------|---------------------|----------------------|----------------|
|  | Date | 22-Jan-2021 | SPECIFICATION | OLE WOLFF |
| | Page | 7 / 8 | | www.owolff.com |
| | DK | P/N: OWS-484833TA-4 | | Revision: 00 |

10.MARKING (Fig.4)

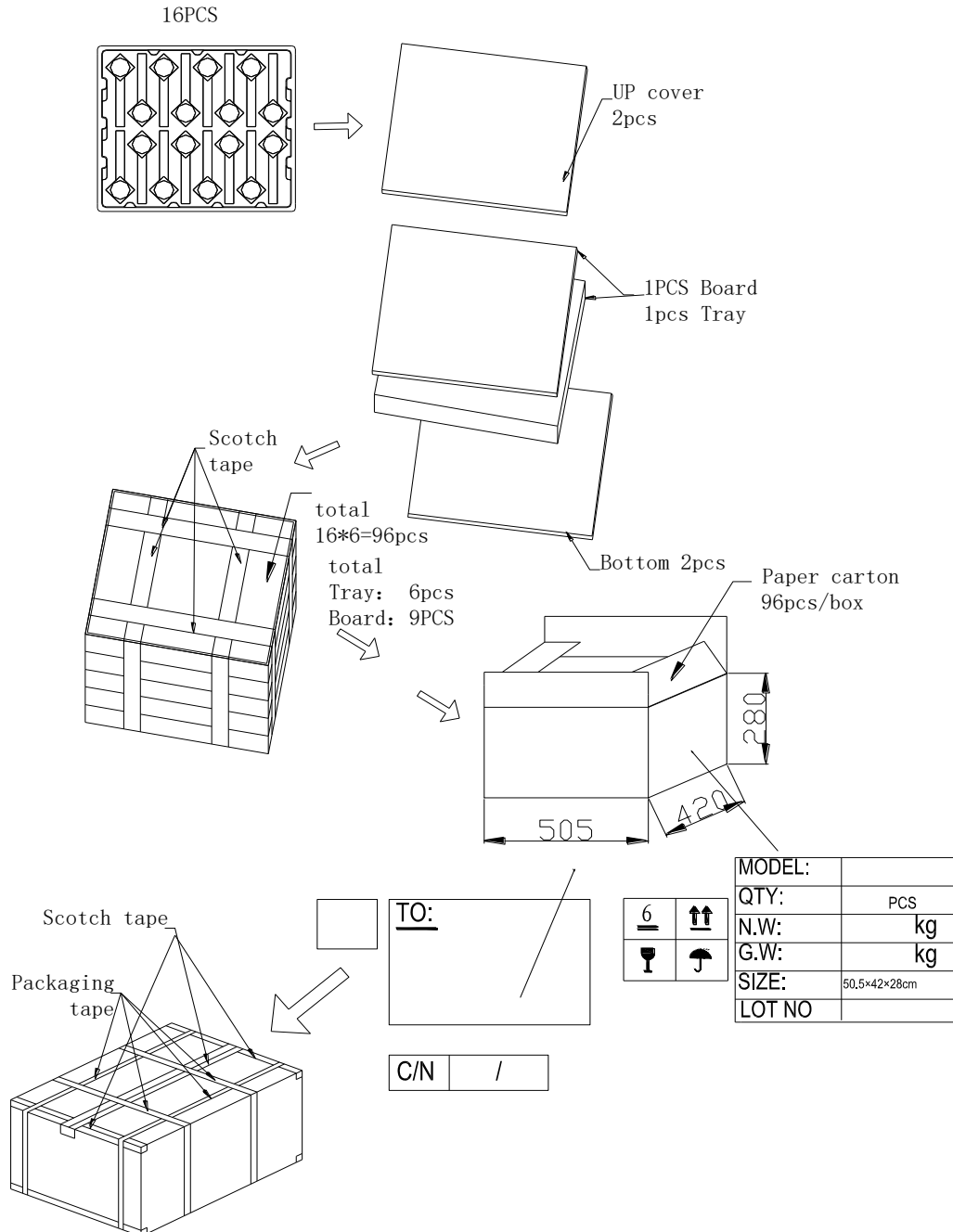


| YEAR | | WEEK | |
|------|---------|------|---------|
| year | marking | week | marking |
| 2015 | 5 | 1 | 01 |
| 2016 | 6 | 2 | 02 |
| 2017 | 7 | 3 | 03 |
| 2018 | 8 | 4 | 04 |
| 2019 | 9 | 5 | 05 |
| 2020 | 0 | ↓ | ↓ |
| 2021 | 1 | | |
| 2022 | 2 | | |
| | | 50 | 50 |
| | | 51 | 51 |
| | | 52 | 52 |
| | | 53 | 53 |

| | | | | | | |
|---|---|--|---|---|---|---|
| OLE WOLFF ELEKTRONIK A/S Roedengvej 25 4180 Soroe Denmark TEL: +45 57833830 FAX: +45 57820019 | OLE WOLFF ELECTRONICS INC. 1525 McCarthy Blvd, Suite 1093 Milpitas, Ca 95035 USA TEL: +1 408 888 8413 | OLEWOLFF ELEKTRONIK GmbH Schulstrasse 15A. DE-25451 Quickborn. Germany TEL: +49 (0) 4106 765900 FAX: +49 (0) 4106 627297 | OLEWOLFF ELECTRONICS 3 Bedford Street, Woburn, Bedfordshire MK17 9QB, ENGLAND TEL: +44 (0) 1525 290755 FAX: +44 (0) 1525 290855 | OLE WOLFF ELEKTRONIK Yhöpistönkatu 26 (P.O.BOX 257) FI-40101 Jyväskylä Finland TEL: +358 14 338 3050 FAX: +358 14 338 3059 | OLE WOLFF (ASIA) LTD. Unit B, 19/F, Bold Win Ind. Bldg., No. 16-18 Wah Sing St., Kwai Chung, N.T., H.K. TEL: +852 2424 3274 FAX: +852 2424 2219 | OLE WOLFF LTD. 5 Floor, Block G, WenTao Industrial Park, YingRenShi, Bao'an District, Shenzhen, PRC TEL: +86 755 82612542 TEL: +86 755 26406156 |
|---|---|--|---|---|---|---|

| | | | | |
|---|------|---------------------|----------------------|----------------|
|  | Date | 22-Jan-2021 | SPECIFICATION | OLE WOLFF |
| | Page | 8 / 8 | | www.owolff.com |
| | DK | P/N: OWS-484833TA-4 | | Revision: 00 |

11.PACKING(Fig.5)



| | | | | | | |
|---|---|--|---|---|---|---|
| OLE WOLFF ELEKTRONIK A/S Roedengvej 25 4180 Soroe Denmark TEL: +45 57833830 FAX: +45 57820019 | OLE WOLFF ELECTRONICS INC. 1525 McCarthy Blvd, Suite 1093 Mhlpitas, Ca 95035 USA TEL: +1 408 888 8413 | OLEWOLFF ELEKTRONIK GmbH Schulstrasse 15A. DE-25451 Quickborn. Germany TEL: +49 (0) 4106 765900 FAX: +49 (0) 4106 627297 | OLEWOLFF ELECTRONICS 3 Bedford Street, Woburn, Bedfordshire MK17 9QB, ENGLAND TEL: +44 (0) 1525 290755 FAX: +44 (0) 1525 290855 | OLE WOLFF ELEKTRONIK Yhöpistonkatu 26 (P.O.BOX 257) FI-40101 Jyväskylä Finland TEL: +358 14 338 3050 FAX: +358 14 338 3059 | OLE WOLFF (ASIA) LTD. Unit B, 19/F, Bold Win Ind. Bldg., No. 16-18 Wah Sing St., Kwai Chung, N.T., H.K. TEL: +852 2424 3274 FAX: +852 2424 2219 | OLE WOLFF LTD. 5 Floor, Block G, WenTao Industrial Park, YingRenShi, Bao'an District, Shenzhen, PRC TEL: +86 755 82612542 TEL: +86 755 26406156 |
|---|---|--|---|---|---|---|