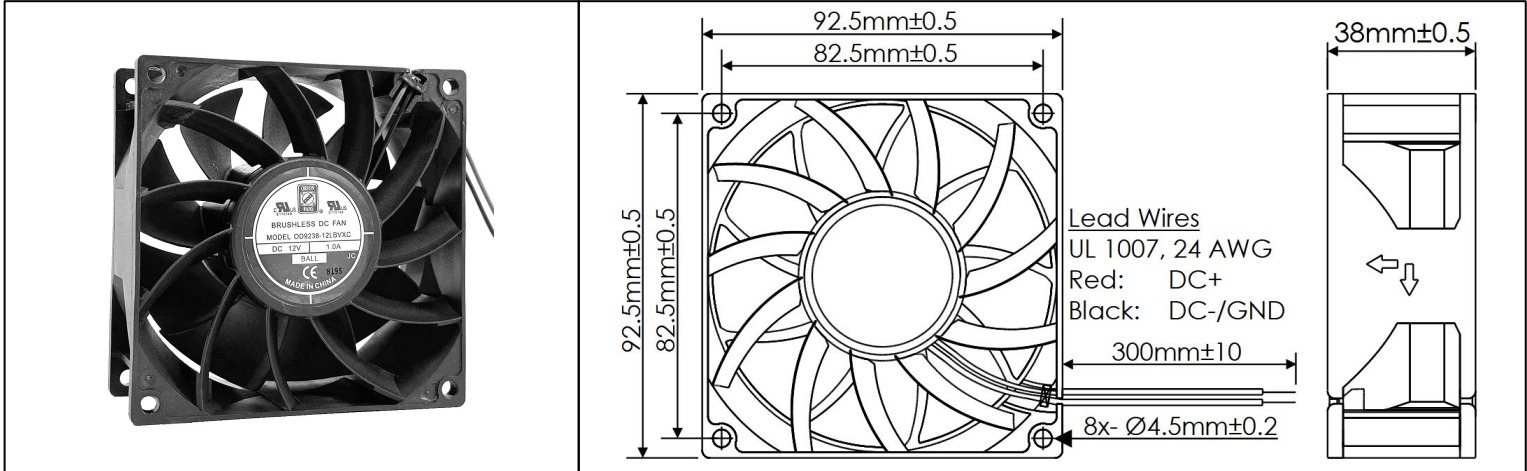


# OD9238 VXC High Performance Series



DC Fans - 12, 24, 48V  
92.5mm x 38mm (3.64" x 1.5")



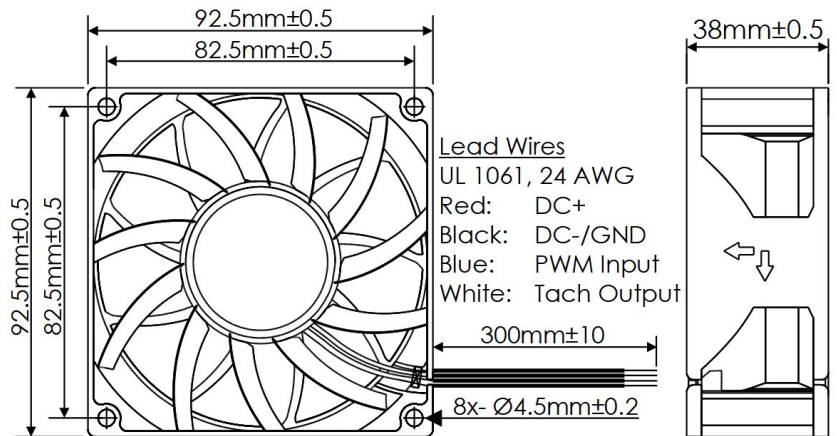
<b>Frame</b>	PBT, UL94 V-0 Plastic	<b>Operating Temperature</b> -10°C ~ +70°C	
<b>Impeller</b>	PBT, UL94 V-0 Plastic		
<b>Connection</b>	2x Lead Wires, 24 AWG	<b>Storage Temperature</b> -40°C ~ +80°C	
<b>Motor</b>	Brushless DC, Auto Cutoff, Auto Restart, Electronically Protected, Polarity Protected	<b>Life Expectancy</b> 70,000 Hours (L10 at 40°C)	
<b>Bearing System</b>	Ball Bearings	<b>Available Options:</b> PWM Speed Control Input Tachometer Output Alarm Output IP Ratings Higher Speeds	
<b>Dielectric Strength</b>	500VDC/min, <1mA	Weight: 0.47 lbs	
<b>Insulation Resistance</b>	≥10M Ohm @ 500 VDC		

Part Number	Rated Voltage (Volts DC)	Voltage Range (Volts DC)	Input Power (Watts)	Rated Current (Amps)	Rated Speed (RPM)	Max Airflow (CFM)	Noise Level (dB)	Max Static Pressure (\"H <sub>2</sub> O)
OD9238-12HBVXC	12	8 ~ 13.8	24.0	2.00	5400	125	62	0.74
OD9238-12MBVXC	12	8 ~ 13.8	18.0	1.50	4800	104	58	0.56
OD9238-12LBVXC	12	8 ~ 13.8	12.0	1.00	4400	96	56	0.48
OD9238-24HBVXC	24	22 ~ 25	22.8	0.95	5400	125	62	0.74
OD9238-24MBVXC	24	22 ~ 25	16.8	0.70	4800	105	58	0.56
OD9238-48HBVXC	48	44 ~ 50	21.6	0.45	5400	125	62	0.74

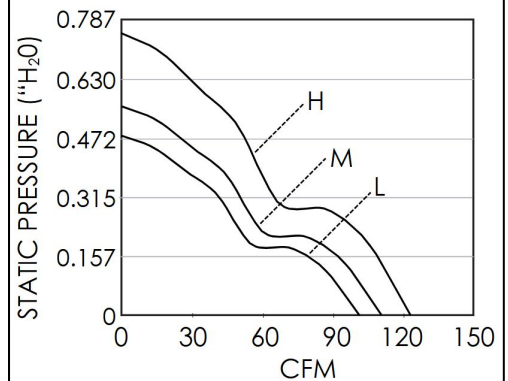
# OD9238 VXC Series with PWM and Tach



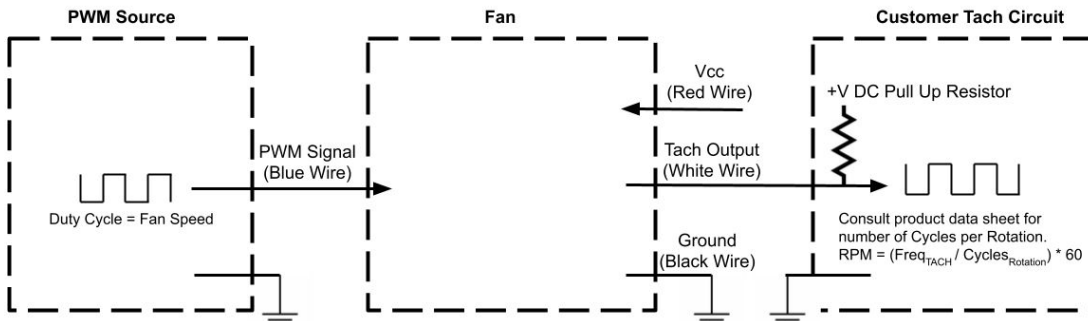
DC Fans - 12, 24, 48V  
92.5mm x 38mm (3.64" x 1.5")



Frame	PBT, UL94 V-0 Plastic	<b>Operating Temperature</b> -10°C ~ +70°C  <b>Storage Temperature</b> -40°C ~ +80°C  <b>Life Expectancy</b> 70,000 Hours (L10 at 40°C)  <b>Installed Options</b> PWM Speed Control Input Open Collector Tach Output  <b>Available Options</b> 5V TTL Tach Output  Weight: 0.47 lbs
Impeller	PBT, UL94 V-0 Plastic	
Connection	4x Lead Wires, 24 AWG	
Motor	Brushless DC, Auto Cutoff, Auto Restart, Electronically Protected, Polarity Protected	
Bearing System	Ball Bearings	
Dielectric Strength	500VDC/min, <1mA	
Insulation Resistance	≥10M Ohm @ 500 VDC	



Part Number	Rated Voltage (Volts DC)	Voltage Range (Volts DC)	Input Power (Watts)	Rated Current (Amps)	Rated Speed (RPM)	Max Airflow (CFM)	Noise Level (dB)	Max Static Pressure ("H <sub>2</sub> O)
OD9238-12HBVXC10A	12	8 ~ 13.8	24.0	2.00	5400	125	62	0.74
OD9238-12MBVXC10A	12	8 ~ 13.8	18.0	1.50	4800	104	58	0.56
OD9238-12LBVXC10A	12	8 ~ 13.8	12.0	1.00	4400	96	56	0.48
OD9238-24HBVXC10A	24	22 ~ 25	22.8	0.95	5400	125	62	0.74
OD9238-24MBVXC10A	24	22 ~ 25	16.8	0.70	4800	105	58	0.56
OD9238-48HBVXC10A	48	44 ~ 50	21.6	0.45	5400	125	62	0.74



PWM Max High Voltage: 5.5V  
 PWM Max Sink Current: 5mA  
 PWM Frequency Range: 18KHz-30KHz  
 PWM Typical Frequency: 25KHz  
 RPM at 0% Duty Cycle: 500 RPM±300  
 RPM will be full speed if PWM input is disconnected.  
 Tach Max Pullup Voltage: Fan Vcc  
 Tach Max Sink Current: 5mA  
 Tach Cycles per Rotation: 2