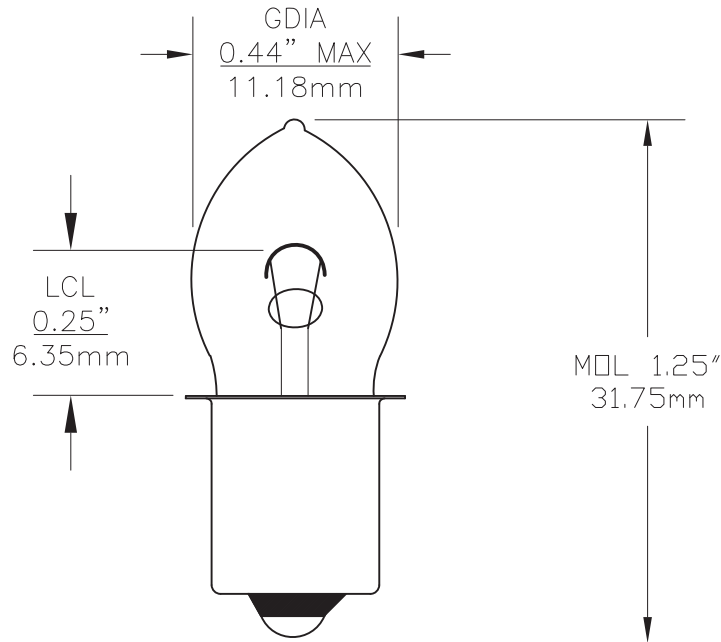


PART NO.	BASE TYPE	DESIGN VOLTS	DESIGN Amps	MSCP	AVG LIFE
KPR102	S.C. Min.Flange	2.4 V	0.70	1.30	15hours

REVISIONS			
REV	DESCRIPTION	DATE	APPROVED
1	Revised LCL location	01/21/2005	D.C.



UNLESS OTHERWISE SPECIFIED: DIMENSIONS ARE IN INCHES TOLERANCES		CEC INDUSTRIES LTD			
DECIMALS .XX ± .05		599 BOND STREET		LINCOLNSHIRE, IL 60069	
ANGULAR ± 0.5°		TITLE			
.XXX ± .010		KPR102			
FRACTIONAL ± 1/64		SIZE	FSCM NO.	DWG NO.	REV
DRAWN Anna Soloveychik	DATE 06/11/03	A		KPR102 rev1	1
CHECKED		SCALE	PLOT SCALE	SHEET 1 OF 1	
DESIGN		FILE KPR102 rev1.dwg		DO NOT SCALE DRAWING	