

Star-delta Timer

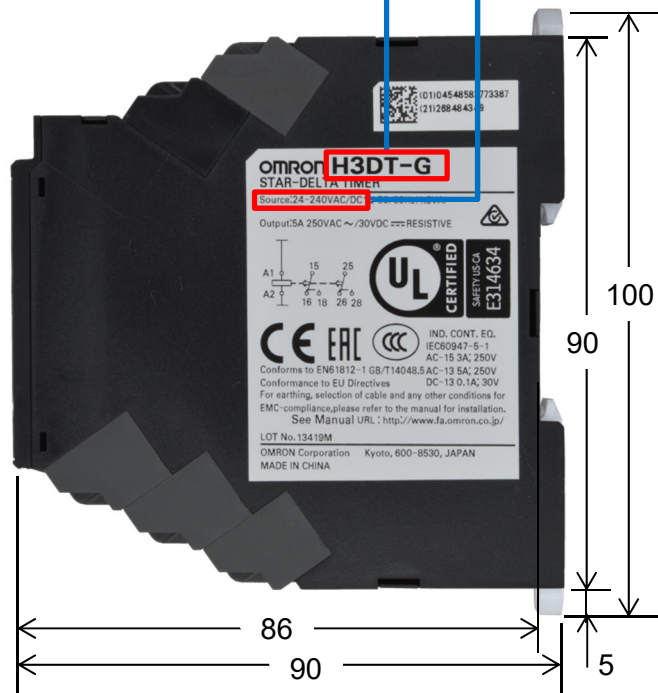
Order Code

H3DT-G 24 to 240 VAC/DC

Dimensions (Unit: mm)

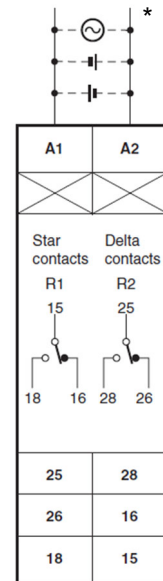


Front

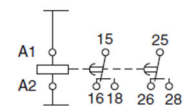


Side view

Terminal Arrangement



(DIN notation)



* The power supply terminals do not have polarity.

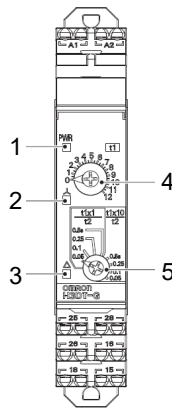


Technical criteria

| | |
|--------------------------------------|--|
| Rated supply voltage | 24 to 240 VAC/DC, 50/60 Hz |
| Input method | None |
| Power Reset (Minimum power-OFF time) | 0.1 s |
| Control Output | 5 A at 250 VAC with resistive load ($\cos\phi = 1$), 5 A at 30 VDC with resistive load, 0.15 A max. at 125 VDC with resistive load, 0.1A max. at 125 VDC with L/R of 7 ms. Minimum applicable load:10 mA at 5 VDC. |
| Accuracy of operating time | $\pm 1\%$ of FS max. |
| Setting error | $\pm 10\%$ of FS ± 0.05 s max. |
| Operating Temperature | -20 to 60°C |
| Operating Humidity | 25% to 85% |
| IP | IP30 (Terminal block: IP20) |

For the most recent information on models that have been certified for safety standards, refer to your OMRON website.

Nomenclature

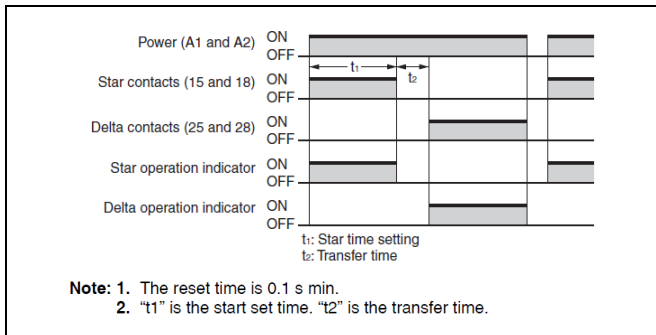


| | |
|---|---------------------------------|
| 1 | Operation/power indicator |
| 2 | Star operation indicator |
| 3 | Delta operation indicator |
| 4 | Main dial |
| 5 | Star-delta transfer time switch |

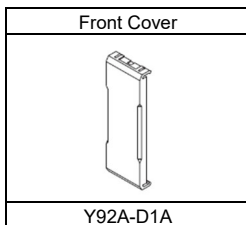
Time range

| | | |
|-------------------------------|--|-------------|
| Time range setting | t1x1 | t1x10 |
| Star set time (t1) range | 1 to 12 s | 10 to 120 s |
| Star-Delta transfer time (t2) | Select from 0.05, 0.1, 0.25, or 0.5 s. | |

Timing Chart



Accessories



OMRON Corporation Industrial Automation Company

Kyoto, JAPAN

Contact: www.ia.omron.com

Regional Headquarters

OMRON EUROPE B.V.

Wegalaan 67-69, 2132 JD Hoofddorp
The Netherlands

Tel: (31) 2356-81-300/Fax: (31) 2356-81-388

<https://industrial.omron.eu/en/home>

OMRON ELECTRONICS LLC

2895 Greenspoint Parkway, Suite 200
Hoffman Estates, IL 60169 U.S.A.

Tel: (1) 847-843-7900/Fax: (1) 847-843-7787

© OMRON Corporation 2019 All Rights Reserved.
In the interest of product improvement,
specifications are subject to change without notice.

Cat. No. L198-E1-01

1019