

FTE-1XX-XX-X-DV-XX-X-X-XX

DO NOT SCALE FROM THIS PRINT

No OF POSITIONS  
-05 THRU -90  
(PER ROW)

LEAD STYLE

- 01: .075 POST  
(USE T-1S29-04-X-2 FOR HAND FILL,  
T-1S29-02-X-2 FOR MACHINE FILL).
- 02: .175 POST  
(USE T-1S29-04-X-2 FOR HAND FILL,  
T-1S29-02-X-2 FOR MACHINE FILL).
- 03: .120 POST  
(USE T-1S29-04-X-2 FOR HAND FILL,  
T-1S29-02-X-2 FOR MACHINE FILL).

PLATING SPEC

-G: 10µ" GOLD IN CONTACT AREA,  
3µ" GOLD ON TAIL

ROW SPECIFICATION

-DV: DOUBLE ROW VERTICAL  
(USE FTE-90-D-A)

PACKAGING (SEE NOTES 13 & 14)

- BLANK: TUBES (SEE NOTE 12)
- TR: TAPE & REEL PACKAGING  
(USE PPP-37-NT ONLY)
- FR: FULL REEL QTY TAPE & REEL

PICK & PLACE PAD

- P: PICK AND PLACE PAD (SEE FIG 2, SHT 3)  
(ONLY AVAILABLE FOR 08-90 POSITIONS)  
(USE PPP-37)
- M: METAL PICK & PLACE PAD  
USE MPP-17-5 (SEE FIG 9 - SHT 4)  
(10 POS MIN, AVAILABLE IN -01 STYLE ONLY)  
(USE PPP-37-NT FOR TAPE & REEL)

OPTIONS

- A: ALIGNMENT PIN (MOLDED OR STAKED)  
[SAMTEC DISCRETION ON WHICH  
-A PIN USED]  
(MOLDED 4 POS MIN, SEE FIG 6, SHT 3)  
(USE FTE-90-D-XX)  
(STAKED 7 POS MIN, SEE FIG 5, SHT 3)  
(USE FTE-90-D-A)

FLEX SHROUD OPTIONS


- (STYLE -01 ONLY)
- ES: END SHROUD  
[SAMTEC DISCRETION ON WHICH -ES USED]  
(SEE FIG 3, SHT 3 FOR SNAPPED-ON,  
11 POSITIONS MIN)  
(SEE FIG 8, SHT 3 FOR MOLDED,  
5 POSITIONS PER ROW MIN, SEE TABLE 2)
- EC: END SHROUD WITH LOCKING CLIPS  
(SEE FIG 7, SHT 3)  
(11 POSITIONS MIN)
- EP: END SHROUD WITH GUIDE POSTS  
(SEE FIG 4, SHT 3)  
(11 POSITIONS MIN)

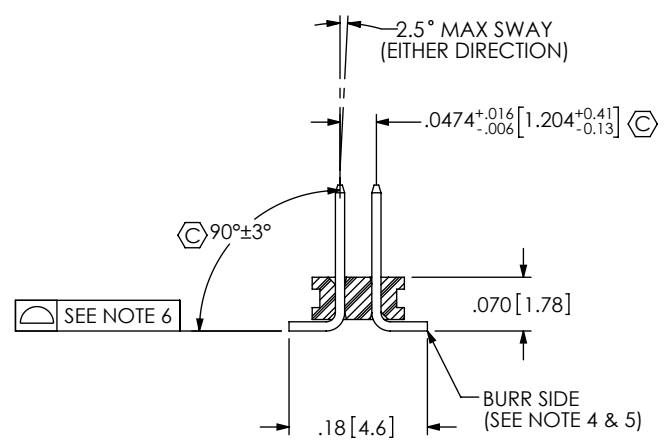
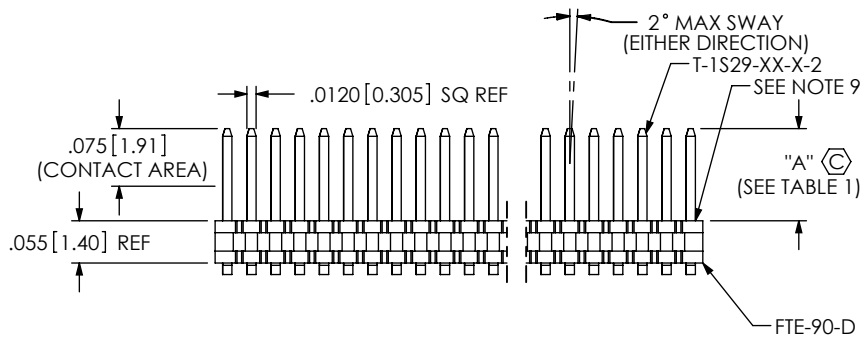
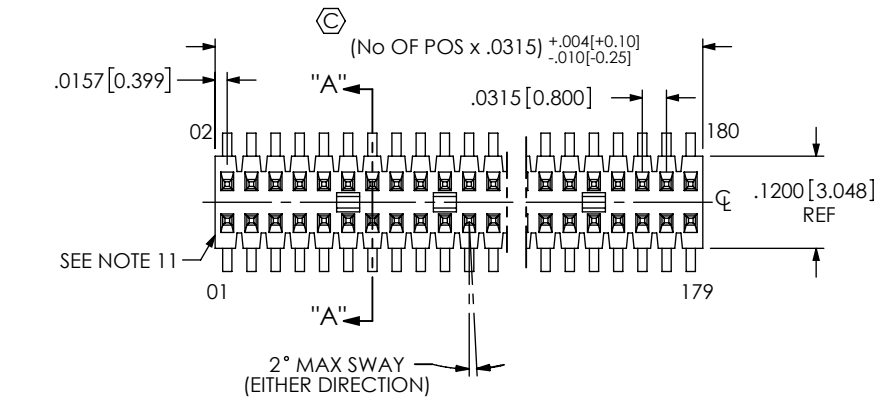
NOTES:

1. Ⓢ REPRESENTS A CRITICAL DIMENSION.
2. MAXIMUM CUT FLASH: .010 [0.25]
3. MINIMUM PUSHOUT FORCE: 1 LB
4. SHEAR TAILS TO DIMENSION SHOWN.
5. MAXIMUM BURR: .003 [0.08]
6. MAXIMUM COPLANARITY:  
-05 THRU -49 = .004 [0.10]  
-50 THRU -64 = .006 [0.15]  
-65 THRU -90 = .009 [0.22]
7. FOR -XX POSITION ASSEMBLY USE -XX POSITION BODY EXCEPT AS LISTED IN TABLE 2.
8. IF -A CALLED OUT ON ASSEMBLY, USE -A ON END OF BODY CALLOUT.  
USE FTE-190-0X-G-DV-SA FOR STOCK THAT WILL BE CUT FOR STAKED -A ORDERS.  
USE FTE-190-0X-G-DV FOR ORDERS NOT REQUIRING STAKED -A OPTION.
9. MAXIMUM ATTACHED FLASH ALLOWED ON POST SIDE ONLY: .02 [0.5]
10. -ES MOLDED OPTION ONLY, DURING CUT PROCESS, WALL MUST BE A MINIMUM OF .004" OR COMPLETELY REMOVED.
11. IF RETENTION IS BELOW SPECIFICATION, A SUBSTITUTION OF FTE-90-D FOR FTE-90-D-A IS ACCEPTABLE.
12. TUBES ARE STANDARD PACKAGING
13. ORDERS WILL BE PACKAGED ACCORDING TO THE SAMTEC PACKAGING EFFICIENCY STANDARDS (SPES) FOUND ON WWW.SAMTEC.COM
14. ATTACH LABEL TO EACH REEL

LEAD STYLE	"A"
-01	.075
-02	.175
-03	.120

ASSEMBLY	BODY
FTE-1XX-01-G-DV-ES-XX (SEE NOTE 7 AND 8)	FTE-90-D-ES-XX-X (SEE NOTE 7 AND 8)
FTE-115-01-G-DV-ES-XX (SEE NOTE 8)	FTE-85-D-ES-15-X (SEE NOTE 8)
FTE-120-01-G-DV-ES-A-XX	FTE-85-D-ES-20-A
FTE-120-01-G-DV-ES-XX	FTE-90-D-ES-20

UNLESS OTHERWISE SPECIFIED, DIMENSIONS ARE IN INCHES. TOLERANCES ARE: DECIMALS                      ANGLES X: ±.1 [2.5] .XX: ±.01 [0.3]                      2° .XXX: ±.005 [0.13] .XXXX: ±.0020 [0.051]	<p>PROPRIETARY NOTE</p> <p>THIS DOCUMENT CONTAINS CONFIDENTIAL AND PROPRIETARY INFORMATION AND ALL DESIGN, MANUFACTURING, REPRODUCTION, USE, PATENT RIGHTS AND SALES RIGHTS ARE EXPRESSLY RESERVED BY SAMTEC, INC. THIS DOCUMENT SHALL NOT BE DISCLOSED, IN WHOLE OR PART, TO ANY UNAUTHORIZED PERSON OR ENTITY NOR REPRODUCED, TRANSFERRED OR INCORPORATED IN ANY OTHER PROJECT IN ANY MANNER WITHOUT THE EXPRESS WRITTEN CONSENT OF SAMTEC, INC.</p>	 <p>520 PARK EAST BLVD., NEW ALBANY, IN 47150 PHONE: 812-944-6733    FAX: 812-948-5047 e-Mail: info@SAMTEC.com    code 53322</p>
MATERIAL: DO NOT SCALE DRAWING                      SHEET SCALE: 4:1	DESCRIPTION: .8MM x 1.2MM C.L. TERMINAL STRIP ASSM.	
INSULATOR: BLACK, LCP, UL 94 VO	DWG. NO. <b>FTE-1XX-XX-X-DV-XX-X-X-XX</b>	
TERMINAL: PHOS BRONZE	BY: DEAN P	9/01/2009    SHEET 1 OF 4
F:\DWG\MISC\MKTG\FTE-1XX-XX-X-DV-XX-X-X-XX-MKT.SLDDRW		



SECTION "A"-"A"

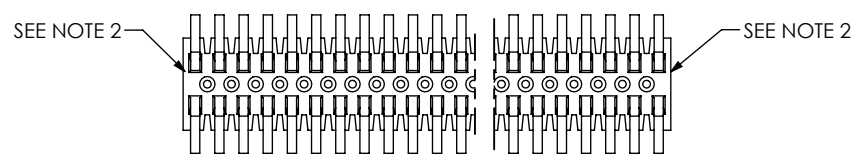


FIG 1  
FTE-1XX-03-X-DV SHOWN

<p>DO NOT SCALE DRAWING</p> <p>SHEET SCALE: 4:1</p>	<p><b>PROPRIETARY NOTE</b></p> <p>THIS DOCUMENT CONTAINS CONFIDENTIAL AND PROPRIETARY INFORMATION AND ALL DESIGN, MANUFACTURING, REPRODUCTION, USE, PATENT RIGHTS AND SALES RIGHTS ARE EXPRESSLY RESERVED BY SAMTEC, INC. THIS DOCUMENT SHALL NOT BE DISCLOSED, IN WHOLE OR PART, TO ANY UNAUTHORIZED PERSON OR ENTITY NOR REPRODUCED, TRANSFERRED OR INCORPORATED IN ANY OTHER PROJECT IN ANY MANNER WITHOUT THE EXPRESS WRITTEN CONSENT OF SAMTEC, INC.</p>	
	<p><b>samtec</b></p> <p>520 PARK EAST BLVD, NEW ALBANY, IN 47150 PHONE: 812-944-6733 FAX: 812-948-5047 e-Mail: info@SAMTEC.com code 55322</p>	
	<p>DESCRIPTION: .8MM x 1.2MM C.L. TERMINAL STRIP ASSM.</p> <p>DWG. NO. <b>FTE-1XX-XX-X-DV-XX-X-X-XX</b></p>	<p>BY: DEAN P 9/01/2009</p>

REVISION BJ

TABLE 3	
PART NO.	"R"
PPP-37	.125
PPP-37-NT	.190

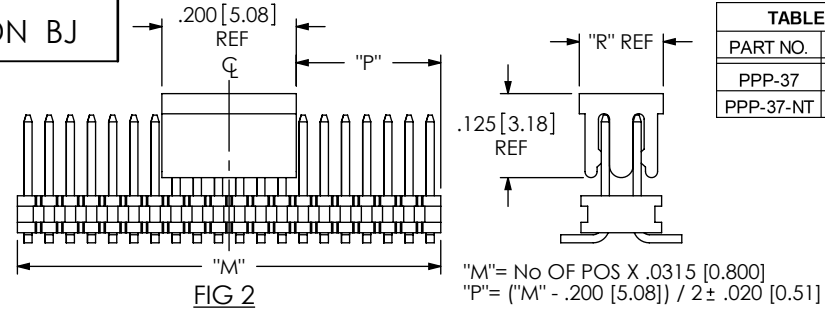


FIG 2  
-P OPTION

(DIFFERENT AS SHOWN, OTHERWISE SAME AS FIG 1)

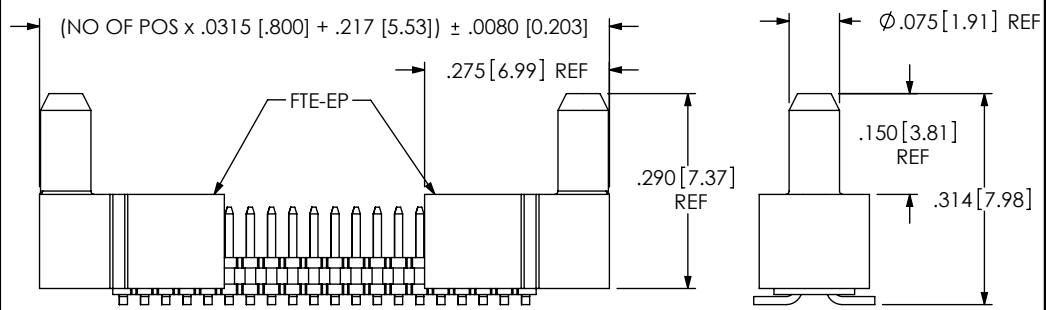


FIG 4  
-EP OPTION

(DIFFERENT AS SHOWN, OTHERWISE SAME AS FIG 1)

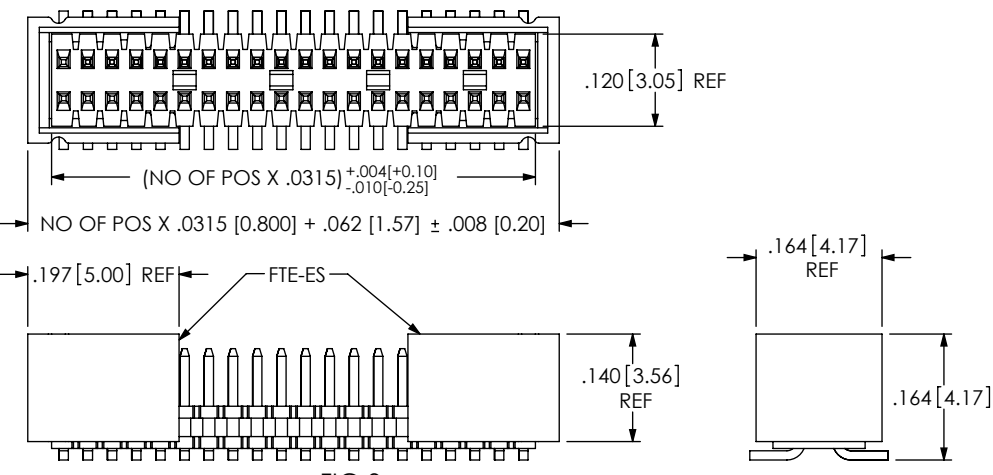


FIG 3

-ES OPTION (SNAPPED ON) (11 POS MIN)  
(DIFFERENT AS SHOWN, OTHERWISE SAME AS FIG 1)

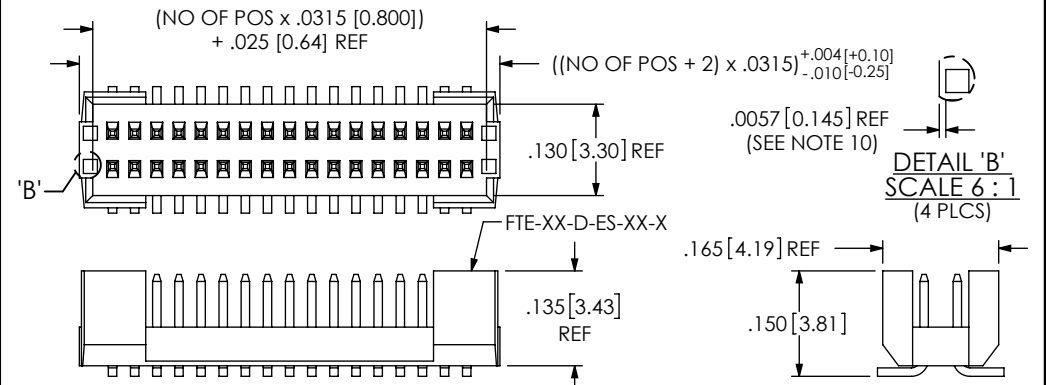


FIG 8

-ES OPTION (MOLDED) (5 POS MIN)  
(DIFFERENT AS SHOWN, OTHERWISE SAME AS FIG 1)

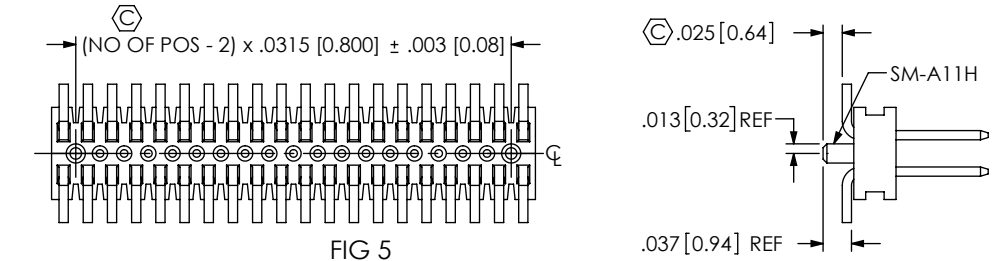


FIG 5

-A OPTION (STAKED) (7 POS MIN)  
(DIFFERENT AS SHOWN OTHERWISE SAME AS FIG 1)

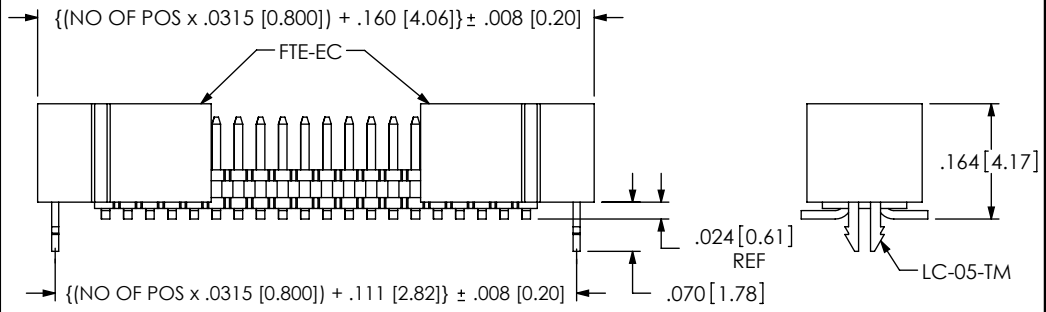


FIG 7

-EC OPTION  
(DIFFERENT AS SHOWN, OTHERWISE SAME AS FIG 1)

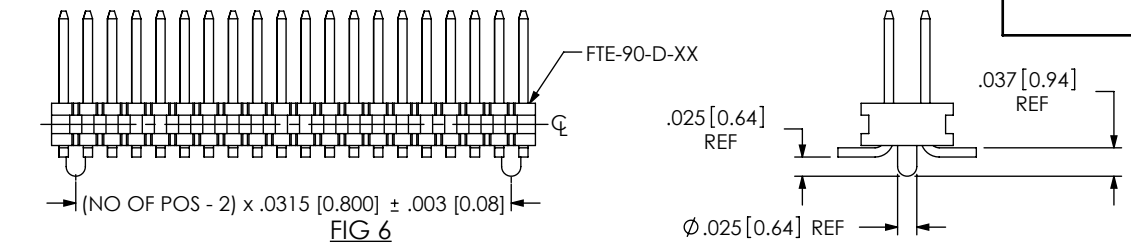


FIG 6

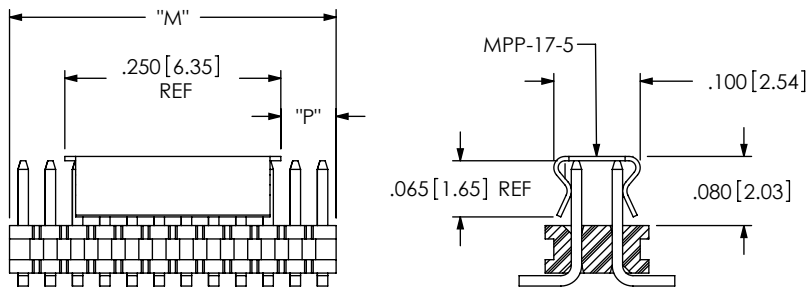
-A OPTION (MOLDED) (4 POS MIN)  
(DIFFERENT AS SHOWN OTHERWISE SAME AS FIG 1)

**PROPRIETARY NOTE**  
THIS DOCUMENT CONTAINS CONFIDENTIAL AND PROPRIETARY INFORMATION AND ALL DESIGN, MANUFACTURING, REPRODUCTION, USE, PATENT RIGHTS AND SALES RIGHTS ARE EXPRESSLY RESERVED BY SAMTEC, INC. THIS DOCUMENT SHALL NOT BE DISCLOSED, IN WHOLE OR PART, TO ANY UNAUTHORIZED PERSON OR ENTITY NOR REPRODUCED, TRANSFERRED OR INCORPORATED IN ANY OTHER PROJECT IN ANY MANNER WITHOUT THE EXPRESS WRITTEN CONSENT OF SAMTEC, INC.

DO NOT SCALE DRAWING  
SHEET SCALE: 4:1



DESCRIPTION:  
.8MM x 1.2MM C.L. TERMINAL STRIP ASSM.  
DWG. NO.  
**FTE-1XX-XX-X-DV-XX-X-X-XX**  
BY: DEAN P 9/01/2009 SHEET 3 OF 4



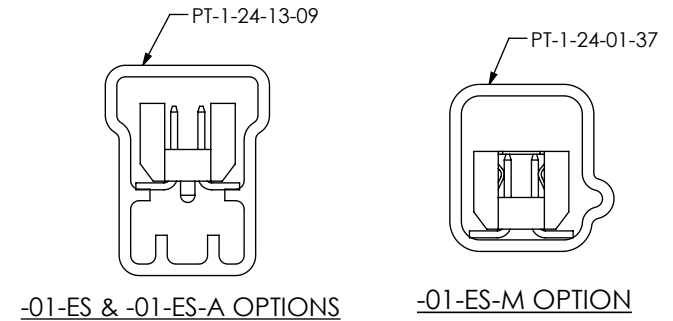
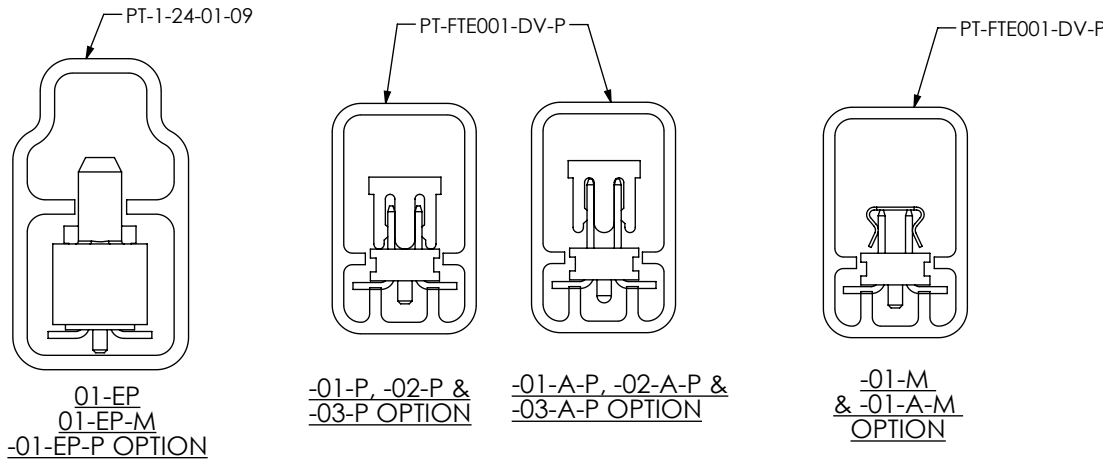
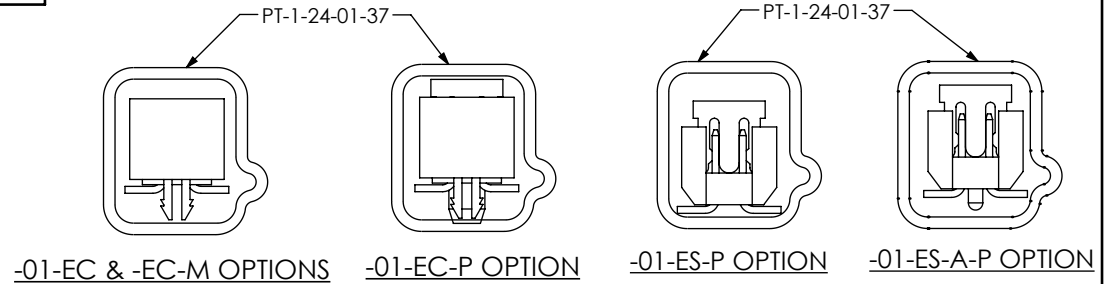
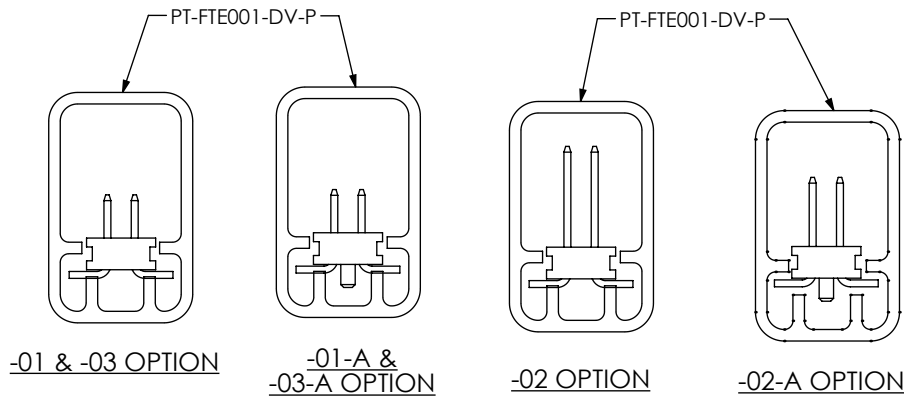
"M" = No OF POSITIONS x .0315 [0.800]

"P" = { ("M" - .250 [6.35]) / 2 } ±.020 [0.51]

FIG 9  
-M OPTION  
(DIFFERENT AS SHOWN, OTHERWISE SAME AS FIG 1)

PACKAGING TABLE

LEAD STYLE	OPTIONS	TUBE	PLUG
-01	NONE, -A	PT-FTE001-DV-P	TP-09
-02	NONE, -A	PT-FTE001-DV-P	TP-09
-03	NONE, -A	PT-FTE001-DV-P	TP-09
-01	-EC, -EC-P -EC-M, -ES-P, -ES-M, -ES-A-P	PT-1-24-01-37	TP-24
-01	-EP, -EP-M, -EP-P	PT-1-24-01-09	TP-24
-01, -02, -03	-P, -A-P	PT-FTE001-DV-P	TP-09
-01	-M, -AM	PT-FTE001-DV-P	TP-09
-01	-ES-A, -ES	PT-1-24-13-09	TP-24



**PROPRIETARY NOTE**  
THIS DOCUMENT CONTAINS CONFIDENTIAL AND PROPRIETARY INFORMATION AND ALL DESIGN, MANUFACTURING, REPRODUCTION, USE, PATENT RIGHTS AND SALES RIGHTS ARE EXPRESSLY RESERVED BY SAMTEC, INC. THIS DOCUMENT SHALL NOT BE DISCLOSED, IN WHOLE OR PART, TO ANY UNAUTHORIZED PERSON OR ENTITY NOR REPRODUCED, TRANSFERRED OR INCORPORATED IN ANY OTHER PROJECT IN ANY MANNER WITHOUT THE EXPRESS WRITTEN CONSENT OF SAMTEC, INC.

DO NOT SCALE DRAWING

SHEET SCALE: 4:1



520 PARK EAST BLVD. NEW ALBANY, IN 47150  
PHONE: 812-944-6733 FAX: 812-948-5047  
e-Mail info@SAMTEC.com code 55322

DESCRIPTION:  
.8MM x 1.2MM C.L. TERMINAL STRIP ASSM.

DWG. NO.  
**FTE-1XX-XX-X-DV-XX-X-X-XX**

BY: DEAN P 9/01/2009 SHEET 4 OF 4