

LTC4249: 2CH, 65V, 1.2A ELECTRONIC CIRCUIT BREAKER

TITLE: DC2733A

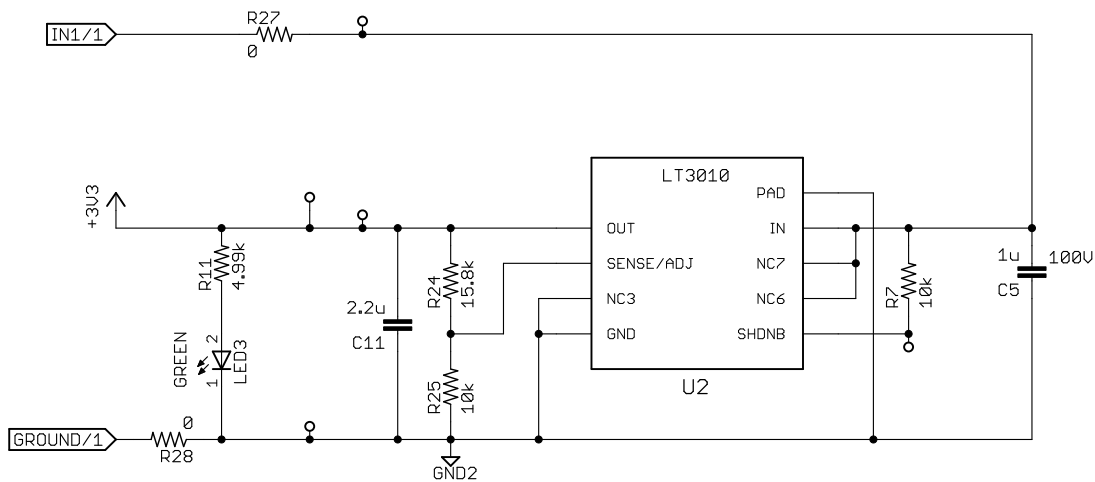
Document Number:

REV:

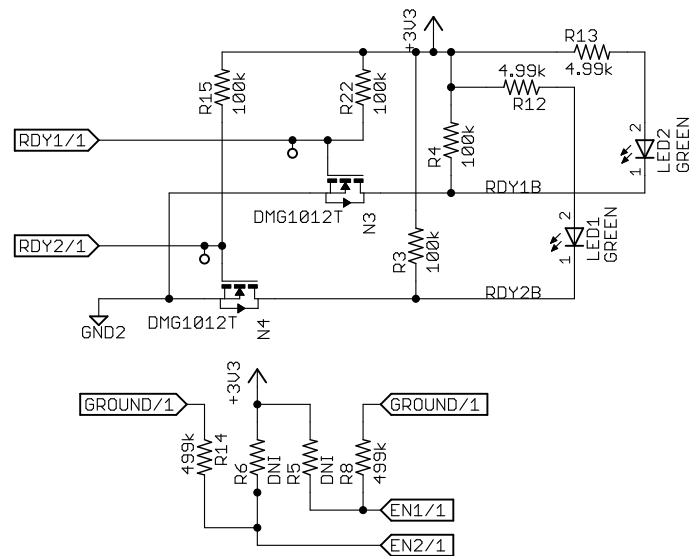
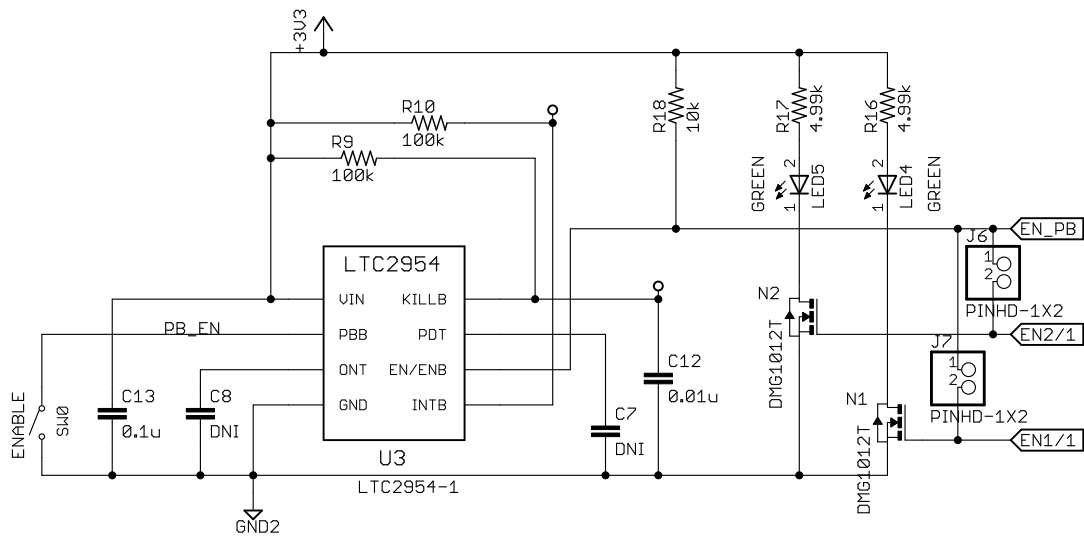
Date: 2/10/21 6:06 PM

Sheet: 1/2

AUX POWER SUPPLY - NOT NECESSARY FOR CUSTOMER BOARDS



PUSHBUTTON CONTROLLER - NOT NECESSARY FOR CUSTOMER BOARDS



LTC4249: 2CH, 65V, 1.2A ELECTRONIC CIRCUIT BREAKER

TITLE: DC2733A

Document Number:

REV:

Date: 2/10/21 6:06 PM

Sheet: 2/2