

6

5

4

3

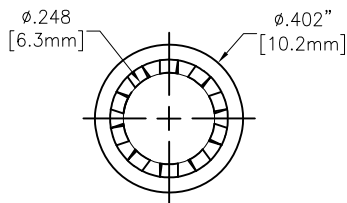
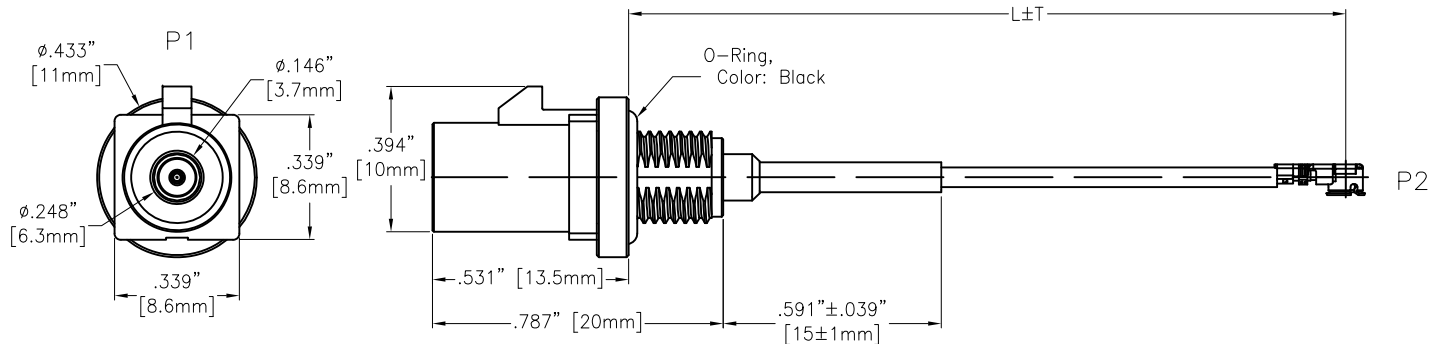
2

1

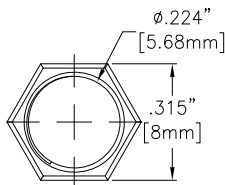
APPROVED: _____

DATE: _____ TITLE: _____

Rev	AWO #	Description	Date	Appr
-		RELEASED	10/28/22	



Lock Washer:
Nickel



Coding
(See sht 2)

CA-FMP4-XX001XWP

ADAM P/N	L+T	
CA-FMP4-XX001005WP	1.969" \pm .197"	50 \pm 5mm
CA-FMP4-XX001010WP	3.937" \pm .197"	100 \pm 5mm
CA-FMP4-XX001015WP	5.906" \pm .197"	150 \pm 5mm
CA-FMP4-XX001020WP	7.874" \pm .197"	200 \pm 5mm

SPECIFICATIONS:

Connector:

P1= FAKRA Plug Code See page2, Straight, Terminal: Brass Gold Plated, Shell: Brass, Nickel

P2= I-PEX MHF 4L 20362, Gold plated

Cable:

30AWG, OD.: .054" [1.37mm], Jacket Color: Grey

Electrical:

Impedance: 50ohm

Temperature Rating:

Operating temperature: -40°C to +90°C

Electrical Test:

All Assemblies must be 100% Tested for Shorts, Open, Continuity, and Physical Appearance.

Environmental:

IP Rating: IP67 (Connector to panel)

Lead free, RoHS compliant



UNLESS OTHERWISE SPECIFIED ALL DIMENSIONS ARE INCHES [MM]. TOLERANCES: EXCEPT AS NOTED

INCHES		HOLES	
.X	$\pm .10$	ϕ .X	$\pm .10$
.XX	$\pm .020$	ϕ .XX	$\pm .015$
.XXX	$\pm .015$	ϕ .XXX	$\pm .010$



909 Rahway Avenue,
Union, NJ 07083
Phone: 908-687-5000
Fax: 908-687-5710

DRAWN	WX	10/28/22
CHECKED	RC	10/28/22
APPROVED		

TITLE
CUSTOM CABLE ASSEMBLY, FAKRA PLUG STRAIGHT TO MHF 4L 20362, 30AWG, O.D: 1.37, IP67 RATED

THIS DRAWING CONTAINS INFORMATION THAT IS PROPRIETARY AND SHOULD NOT BE USED WITHOUT PRIOR WRITTEN PERMISSION FROM ADAM TECH

SIZE X	PART NO. CA-FMP4-XX001XWP	REV. -
REF: S00013T	SCALE: NTS	SHEET 1 OF 2

6

5

4

3

2

1

6

5

4

3

2

1

APPROVED: _____

DATE: _____ TITLE: _____

Rev	AWO #	Description	Date	Appr
-----	-------	-------------	------	------

SEE SHT 1 OF 2 FOR REVISION

Fakra Jack

Coding	A	B	C	D	E	F	G
Plug							
Color	Back	White	Blue	Bordeaux Violet	Green	Brown	Grey

Coding	H	I	K	L	M	N	Z
Plug							
Color	Violet	Beige	Curry	Camine Red	Pastel Orange	Pastel Green	Water Blue

CA-FMP4-XX001XWP

P1 Coding

(Replace X with coding letter)

UNLESS OTHERWISE SPECIFIED ALL DIMENSIONS ARE INCHES [MM]. TOLERANCES: EXCEPT AS NOTED

INCHES		HOLES	
.X	±.10	∅.X	±.10
.XX	±.020	∅.XX	±.015
.XXX	±.015	∅.XXX	±.010



909 Rahway Avenue, Union, NJ 07083
Phone: 908-687-5000
Fax: 908-687-5710

DRAWN	WX	10/28/22
CHECKED	RC	10/28/22
APPROVED		

TITLE
CUSTOM CABLE ASSEMBLY, FAKRA PLUG STRAIGHT TO MHF 4L 20362, , 30AWG, O.D: 1.37, IP67 RATED

THIS DRAWING CONTAINS INFORMATION THAT IS PROPRIETARY AND SHOULD NOT BE USED WITHOUT PRIOR WRITTEN PERMISSION FROM ADAM TECH

SIZE X	PART NO. CA-FMP4-XX001XWP	REV. -
REF: S00013T	SCALE: NTS	SHEET 2 OF 2

6

5

4

3

2

1