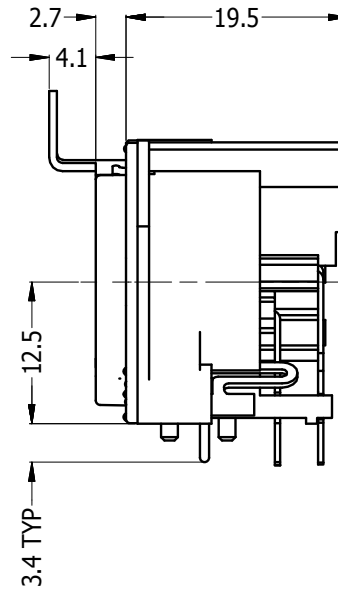
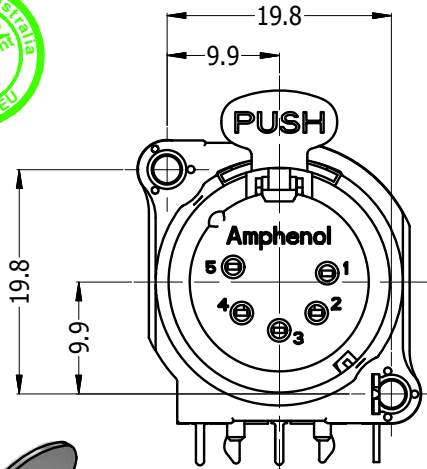
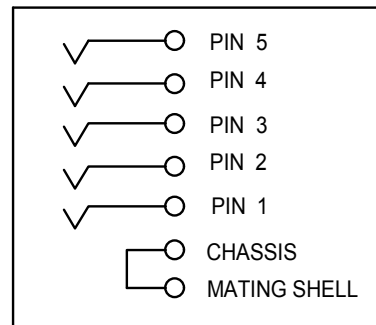
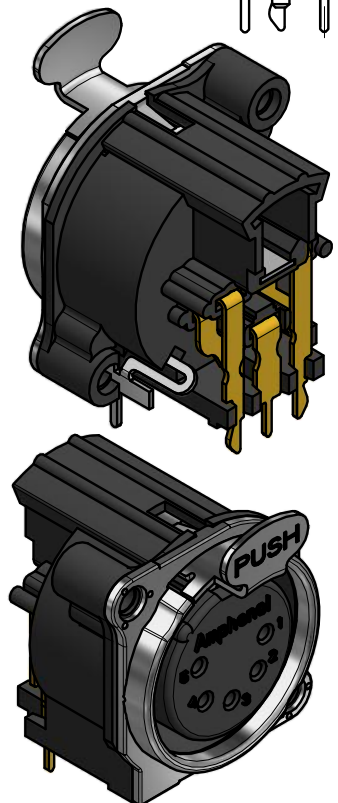
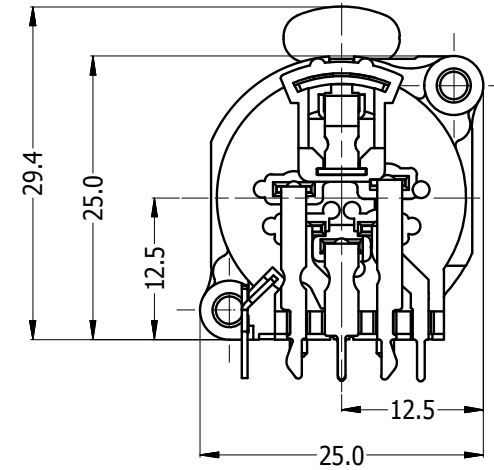


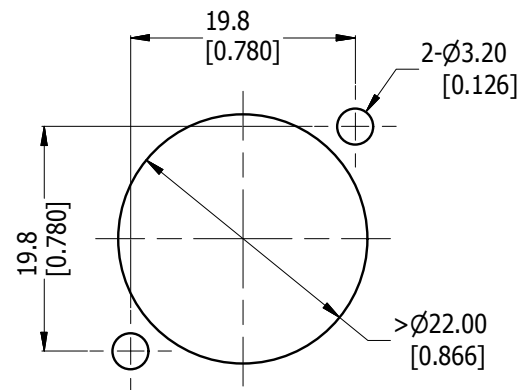
LEGEND = KEY PRODUCT CHARACTERISTICS



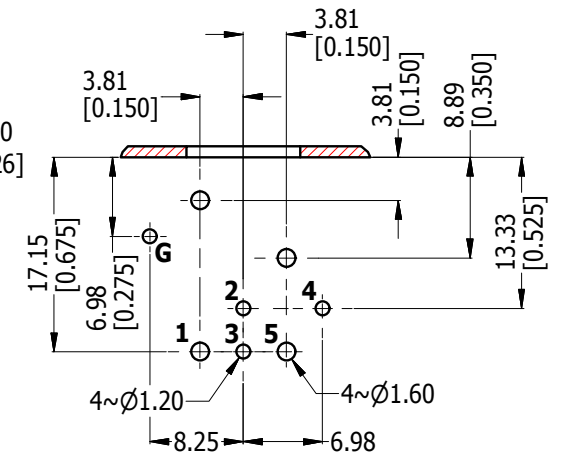
REVISION HISTORY				
REV	DESCRIPTION	DATE	BY	ECN
1	FIRST ISSUE	14-03-17	MH	----



SCHMATIC CHART



PANEL CUT OUT  
REAR VIEW



PCB LAYOUT  
COMPONENT SIDE  
TOLERANCE: ± 0.05mm [.002"]

PART NUMBER TABLE	
PART NUMBER	METAL FLANGE FINISH
AC5FBH-AU-PRE	SATIN NICKEL
AC5FBHB-AU-PRE	MATT BLACK

UNLESS OTHERWISE SPECIFIED TOLERANCE TO BE		THIS DOCUMENT IS THE PROPERTY OF AMPHENOL AUSTRALIA PTY. LTD. NO PART THEREOF MAY BE REPRODUCED AND USED WITHOUT THE PRIOR WRITTEN CONSENT OF THE OWNER			
LINER	ANGULAR	MATERIAL:	DRN:	M.H.	DATE:
X ± 0.5	X' ± 1	<b>SEE COMPONENT</b>	CKD:	M.H.	DATE:
X.X ± 0.2	X.X' ± 30'	DO NOT SCALE	APP'D:	P.M.	DATE:
X.XX ± 0.1	X.XX" ± 15'	FINISH: <b>SEE COMPONENT</b>	SCALE:	<b>3:2</b>	SIZE:
BREAK ALL SHARP EDGES AND REMOVE ALL BURRS		THIRD ANGLE PROJECTION			
DIMENSIONS IN MILLIMETRES		SCALE: <b>3:2</b> SIZE: <b>A4</b>			

<b>Amphenol</b>		Amphenol Australia Pty.Ltd, 22 Industry Blvd, Carrum Downs, VIC 3201	
TITLE: <b>AC5FBH/B-AU-PRE B-TYPE HORIZONTAL CUSTOMER DWG</b>		PART No. <b>SEE PN TABLE</b>	
CAD FILE 55011218000111		DRAWING No. <b>55011218-000-2</b>	
		SHEET <b>2/2</b>	