

NO: LS-073 **PRODUCT:** T3009 Safety Interlock Switch
DATE: March 2015 **TYPE:** Discontinuation Notice

T3009 Compact Tongue-Operated Safety Interlock Switch will be Discontinued November 2015

Effective Date: November 30, 2015

Note: Date is subject to change based on raw materials and components availability at the factory.

Cautions on Applying Replacement:

Omron Automation & Safety recommends that the T3009 series safety interlock switches be replaced by the D4NS series as a functional replacement product.



Affected Parts

Model Number	Part Number	Description	Recommended Replacement
T3009-021SM	44513-1010	90° Actuator, 2NC/1NO, BBM, 1x M16 w/NPT	D4NS Series Please refer to the D4NS series datasheet or contact Omron Technical Support regarding replacement part numbers.
T3009-021SCC	44513-1012	90° Actuator, 2NC/1NO, BBM, Connector	
T3009-021SMM	44513-1020	90° Actuator, 2NC/1NO, MBB, 1x M16 w/NPT	
T3009-021SMCC	44513-1022	90° Actuator, 2NC/1NO, MBB, Connector	
T3009-030SM	44513-1030	90° Actuator, 3NC, 1x M16 w/NPT	
T3009-030SCC	44513-1032	90° Actuator, 3NC, Connector	
T3009-021TM	44513-1110	Flat Actuator, 2NC/1NO, BBM, 1x M16 w/NPT	
T3009-021TCC	44513-1112	Flat Actuator, 2NC/1NO, BBM, Connector	
T3009-021TMM	44513-1120	Flat Actuator, 2NC/1NO, MBB, 1x M16 w/NPT	
T3009-021TMCC	44513-1122	Flat Actuator, 2NC/1NO, MBB, Connector	
T3009-030TM	44513-1130	Flat Actuator, 3NC, 1x M16 w/NPT	
T3009-030TCC	44513-1132	Flat Actuator, 3NC, Connector	
Spare 90° Actuator	44513-0700		
Spare Flat Actuator	44513-0710		D4DS-K1
Spare Flex Actuator	44513-0730	w/ Stainless Steel Guide	D4DS-K3, D4DS-K5

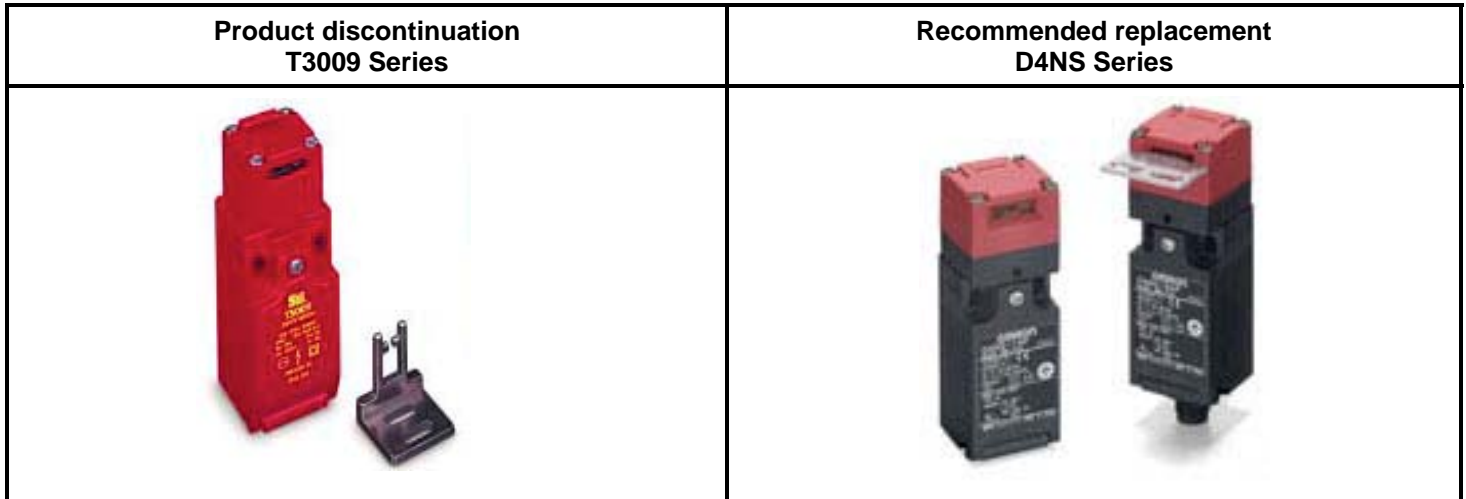
See the following pages for the detail of differences.

Detail of Differences

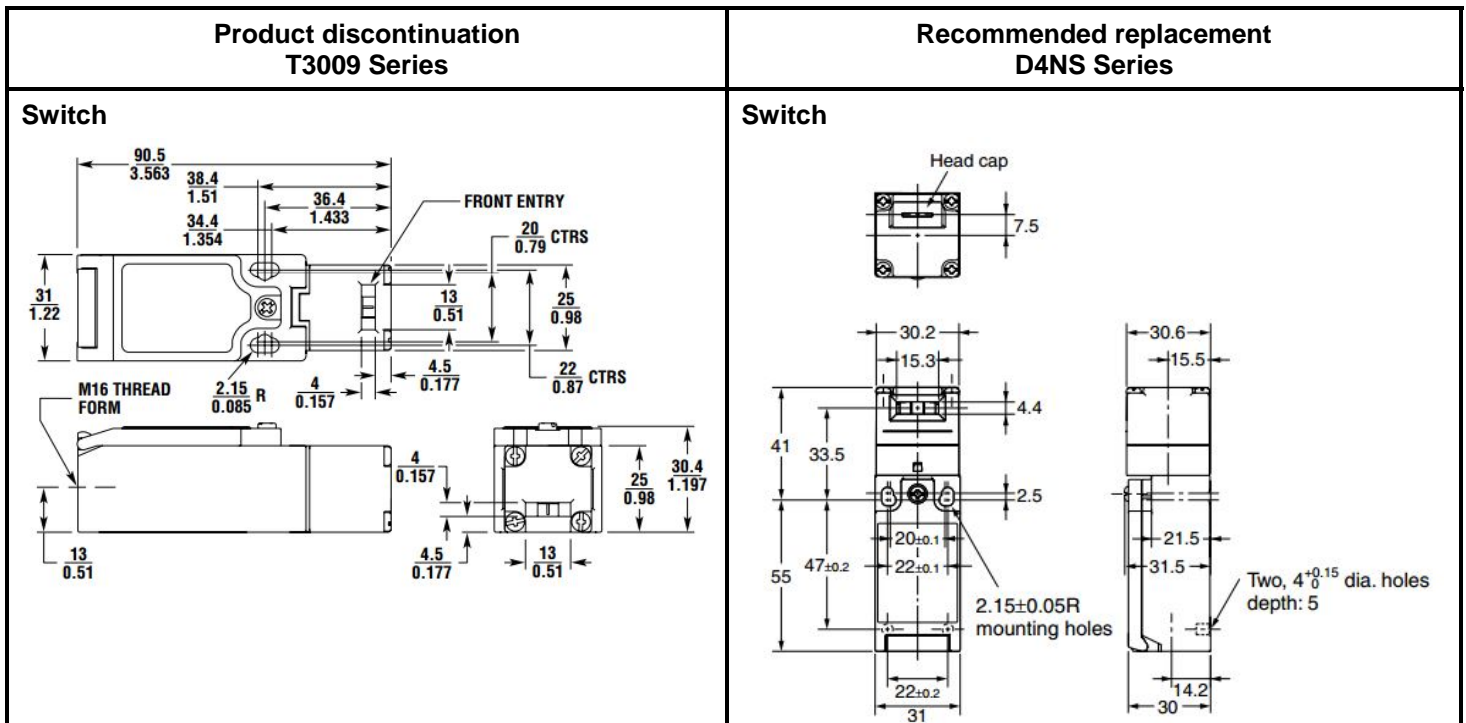
Reference Documentation

Description	Media	Publication number
T3009 safety interlock switch datasheet	PDF	C262I-E-01
D4NS safety interlock switch datasheet	PDF	C23I-E-01

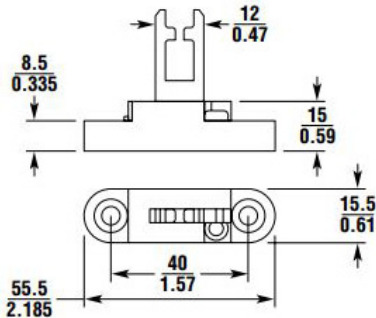
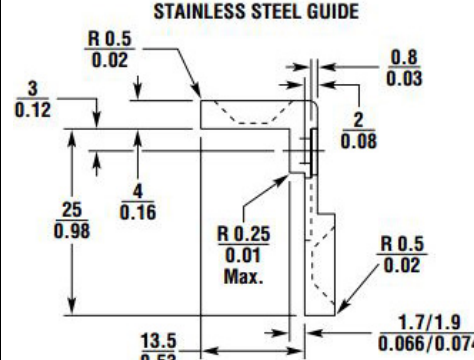
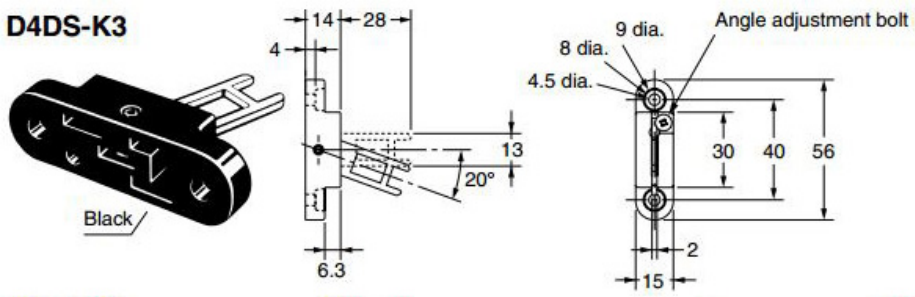
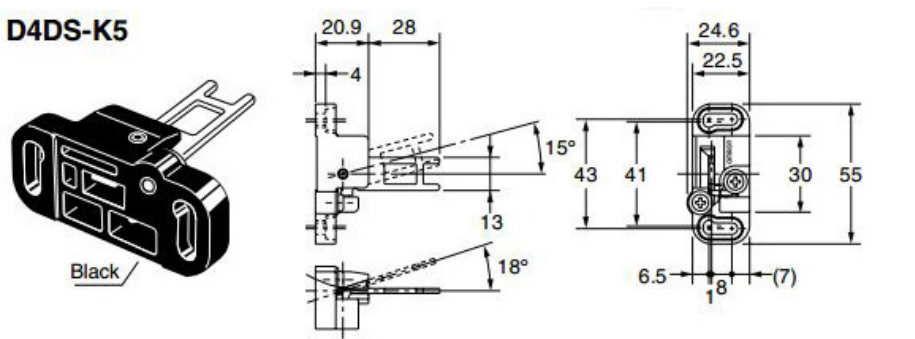
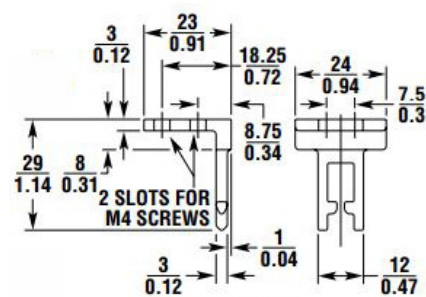
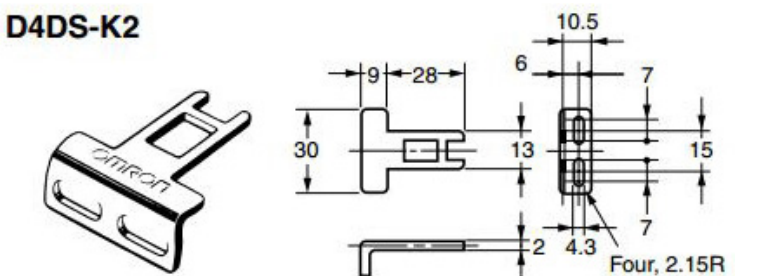
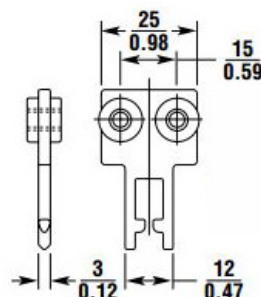
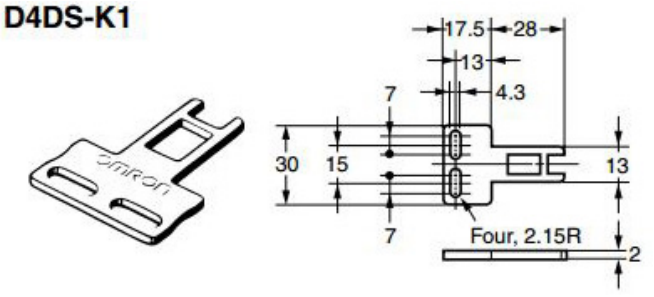
Body Color



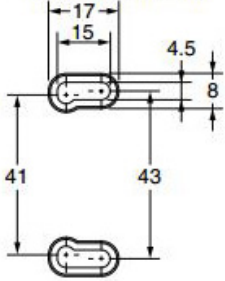
Dimensions



Dimensions (continued)

Product discontinuation T3009 Series	Recommended replacement D4NS Series
<p>Operation Keys</p> <p>FLEX ACTUATOR</p>  <p>STAINLESS STEEL GUIDE</p> 	<p>Operation Keys</p> <p>FLEX ACTUATORS</p> <p>D4DS-K3</p>  <p>D4DS-K5</p> 
<p>90° ACTUATOR</p> 	<p>90° ACTUATOR</p> <p>D4DS-K2</p> 
<p>FLAT ACTUATOR</p> 	<p>FLAT ACTUATOR</p> <p>D4DS-K1</p> 

Dimensions (continued)

Product discontinuation T3009 Series	Recommended replacement D4NS Series
	<p data-bbox="971 233 1170 289">Mounting Holes (Enlargement)</p> 

Wiring Diagrams

Product discontinuation	Recommended replacement

Mounting Holes

Product discontinuation	Recommended replacement

Characteristics

Item	Product discontinuation	Recommended replacement
------	-------------------------	-------------------------

Characteristics (continued)

Item	Product discontinuation	Recommended replacement
------	-------------------------	-------------------------

Operation Methods

Product discontinuation	Recommended replacement

Operation Ratings

Product discontinuation	Recommended replacement