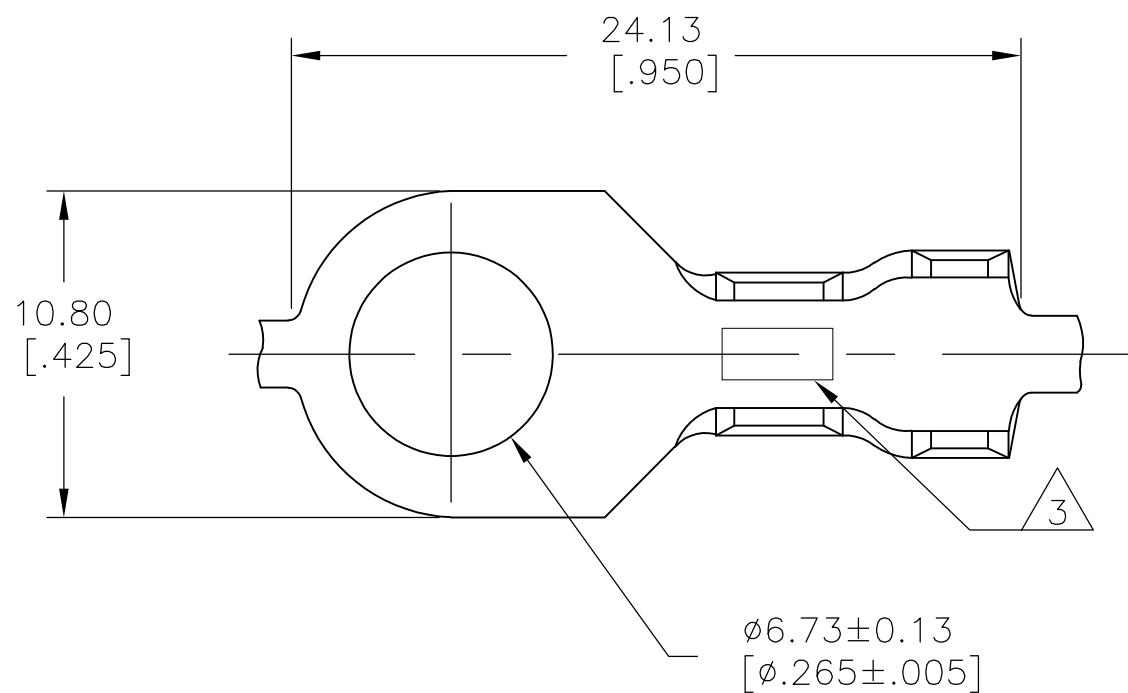
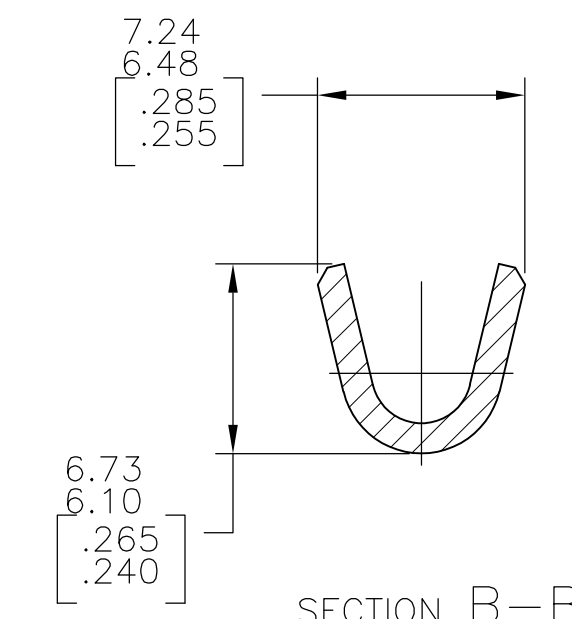
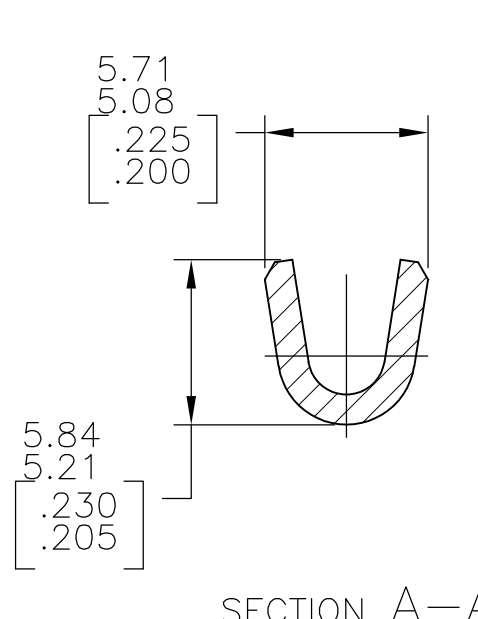
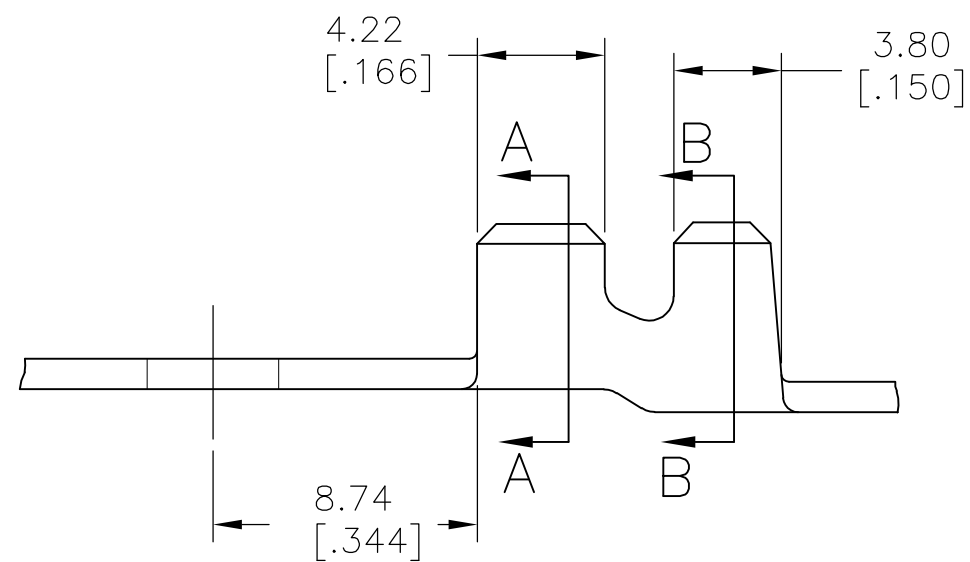


THIS DRAWING IS UNPUBLISHED. RELEASED FOR PUBLICATION  
 © COPYRIGHT BY TYCO ELECTRONICS CORPORATION. ALL INTERNATIONAL RIGHTS RESERVED.

LOC	DIST	REVISIONS			
P	LTR	DESCRIPTION	DATE	DWN	APVD
AF	50	W1	REVISED PER ECR-09-000368	20JAN09	HMR DD



- 1 CONTINUOUS STRIP ON REELS
- 2 DIMENSIONS IN BRACKETS ARE IN INCHES
- 3 STAMPING: AMP FOR 40973  
AMP\* FOR 40973-1



OBSOLETE	M-6* * 1/4	2.0-3.0mm <sup>2</sup> [14-12]	3.30-4.57 [.130-.180]	TIN	<del>1.02[.040] PHOS BRZ</del> 1.02[.040] BRASS	<del>40973-1</del> 40973
	STUD SIZE	WIRE RANGE	INSULATION RANGE	FINISH	MATERIAL	PART NO

THIS DRAWING IS A CONTROLLED DOCUMENT.		DWN RAGHAVENDRA 20JAN2009	Tyco Electronics Corporation Harrisburg, PA 17105-3608					
DIMENSIONS: mm [INCHES]		CHK DON DECKER 20JAN2009	Tyco Electronics					
TOLERANCES UNLESS OTHERWISE SPECIFIED:		APVD DON DECKER 20JAN2009	NAME					
0 PLC ± - 1 PLC ± - 2 PLC ± - 3 PLC ± .038[.015] 4 PLC ± - ANGLES ±		PRODUCT SPEC -		TERMINAL, RING				
MATERIAL SEE TABLE		APPLICATION SPEC -		SIZE A3	CAGE CODE 00779	DRAWING NO C-40973	RESTRICTED TO -	
FINISH SEE TABLE		WEIGHT -		CUSTOMER DRAWING		SCALE 4:1	SHEET 1 OF 1	REV W1