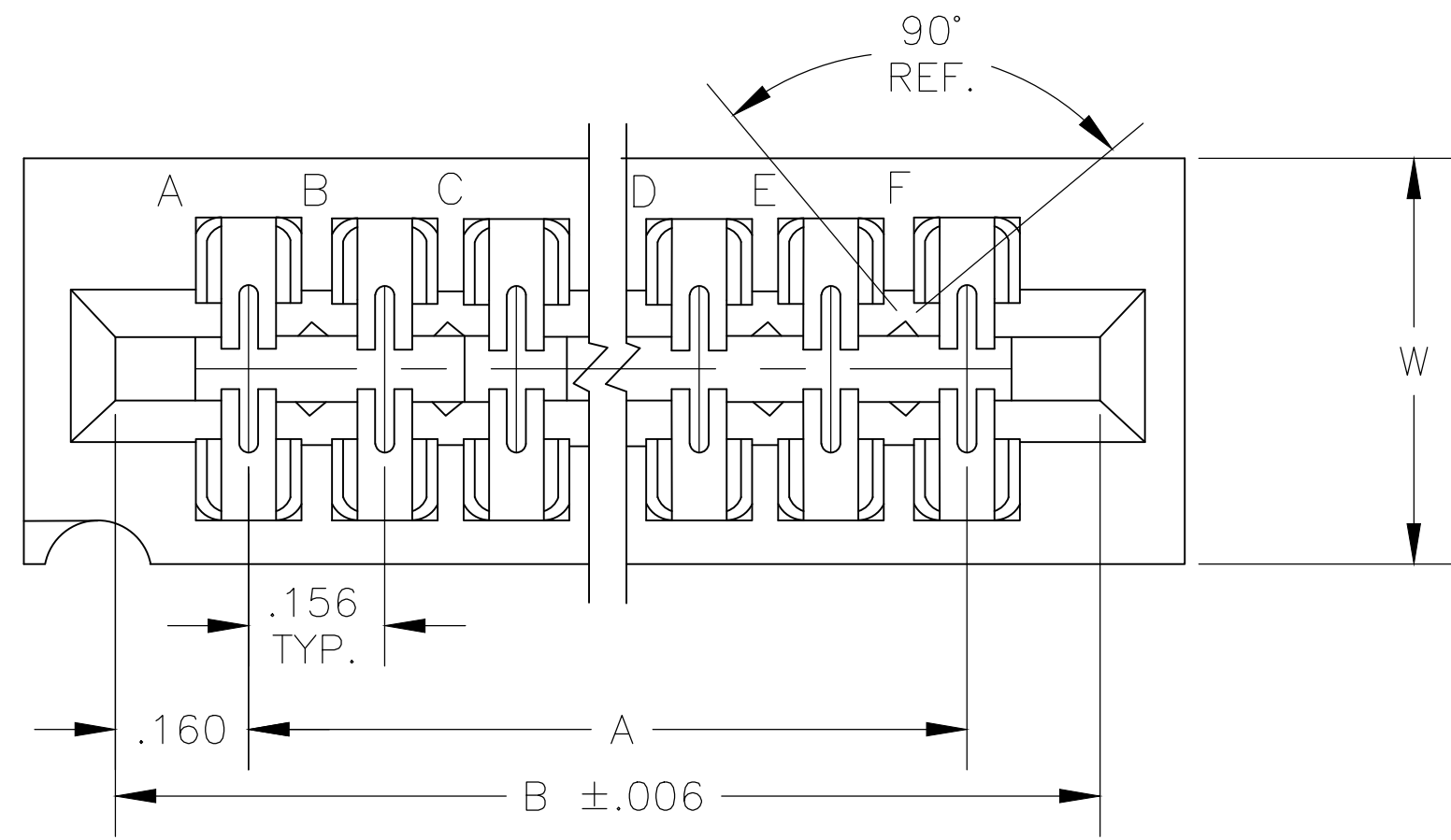
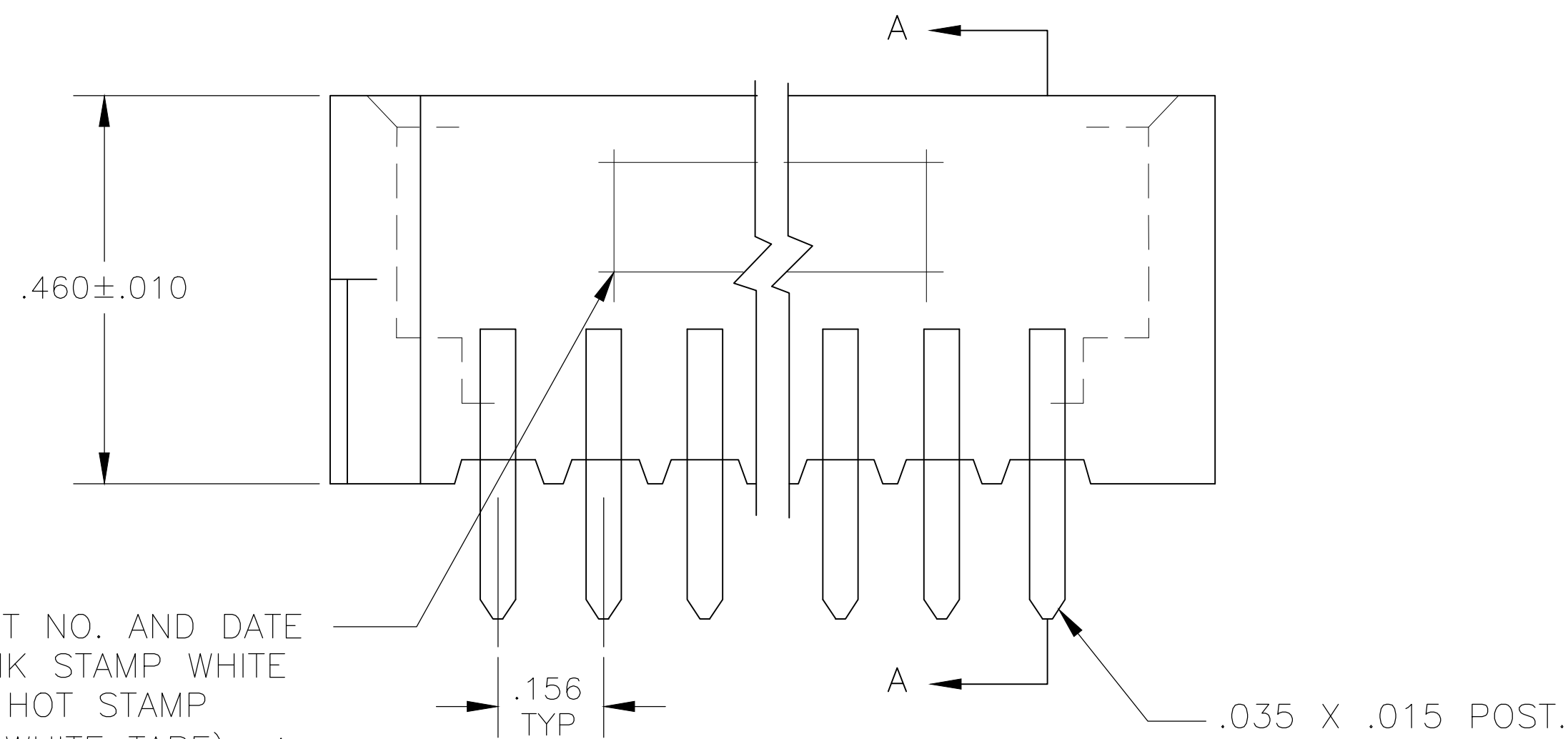


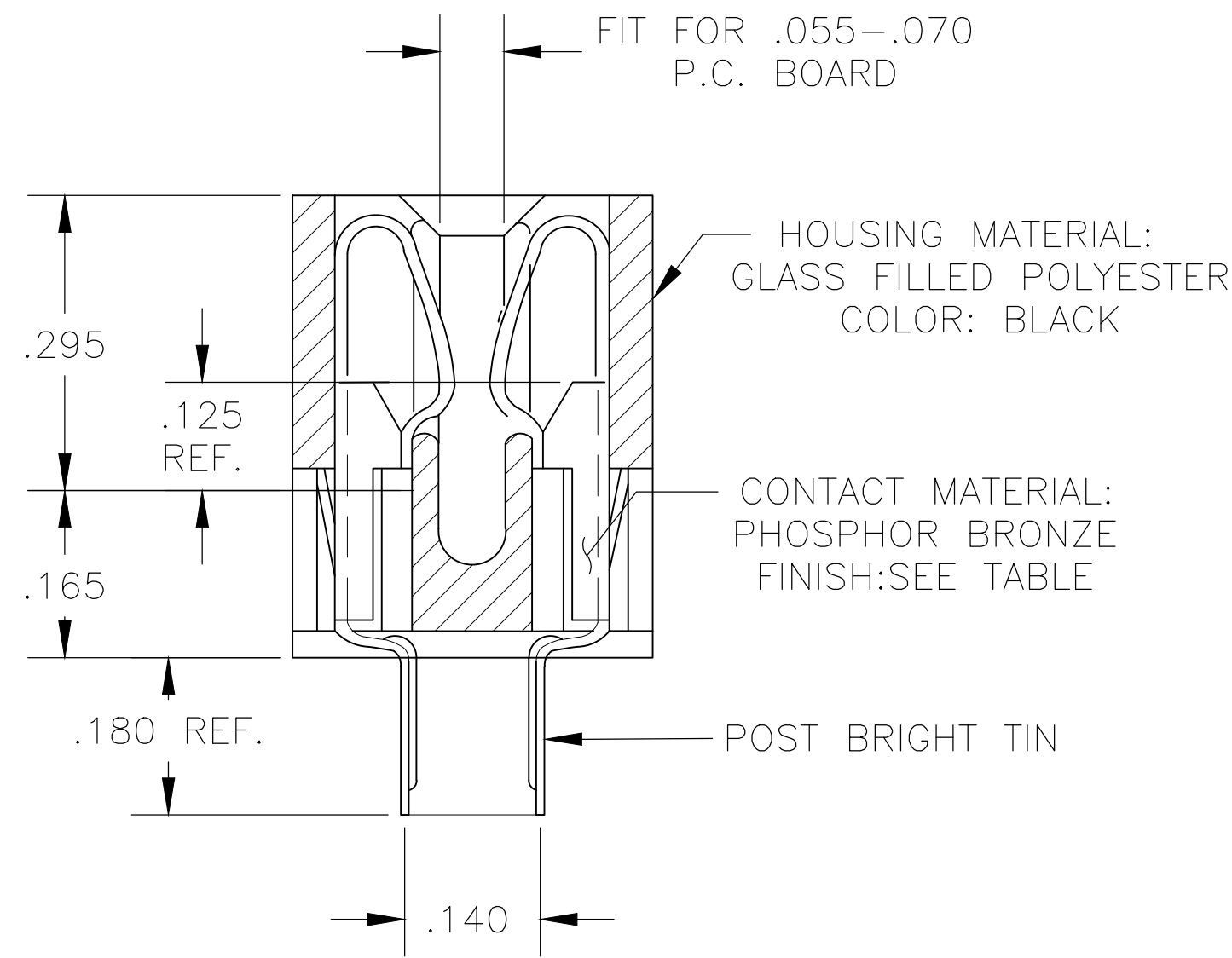
REVISIONS					
P	LTR	DESCRIPTION	DATE	DWN	APVD
S		REVISED PER ECO-20-000170	21MAY2020	KR	JO



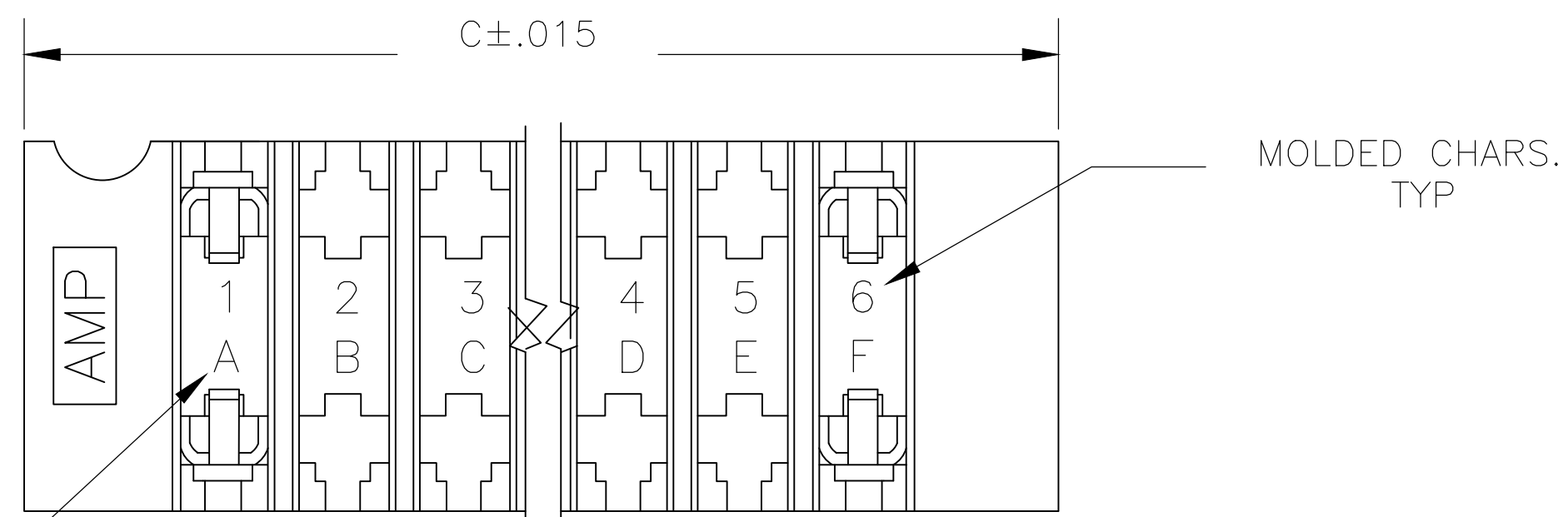
- 1 .000015 MIN. GOLD OVER .000050 MIN. NICKEL IN CONTACT AREA.
- 2 .000030 MIN. GOLD OVER .000050 MIN. NICKEL IN CONTACT AREA.
- 3 ALL PARTS ASSEMBLED IN MEXICO MUST BE STAMPED "ASSY IN MEXICO" THE WORD "MEXICO" CAN BE SUBSTITUTED ONLY WHERE PART SIZE PROHIBITS STAMPING "ASSY IN MEXICO", INK STAMP WHITE OR HOT STAMP (NO WHITE TAPE) 115-9009, APPROX WHERE SHOWN, SIDE OPTIONAL.
- 4 MATTE TIN PLATED CONTACT TAILS.



AMP PART NO. AND DATE CODE INK STAMP WHITE OR HOT STAMP (NO WHITE TAPE) IN THIS AREA. 3 (SIDE OPTIONAL)



SECTION A-A



MOLDED CHARACTERS (UPPER AND LOWER CASE LETTERS FOLLOW BY UPPER CASE LETTERS AA, AB, AC, ETC.) OMITTING LETTERS G, I, O & Q.

4	-	36	5.460	5.780	5.920	8-530669-0	.437
4	-	15	2.184	2.504	2.644	7-530669-4	.370
	1-530669-3	43	6.552	6.872	7.012	3-530669-3	.437
	1-530669-2	28	4.212	4.532	4.672	3-530669-2	.370
	1-530669-1	44	6.708	7.028	7.168	3-530669-1	.437
	1-530669-0	36	5.460	5.780	5.920	3-530669-0	.437
	530669-9	30	4.524	4.844	4.984	2-530669-9	.437
	530669-8	25	3.744	4.064	4.204	2-530669-8	.370
	530669-7	24	3.588	3.908	4.048	2-530669-7	.370
	530669-6	22	3.276	3.596	3.736	2-530669-6	.370
	530669-5	18	2.652	2.972	3.112	2-530669-5	.370
	530669-4	15	2.184	2.504	2.644	2-530669-4	.370
	530669-3	12	1.716	2.036	2.176	2-530669-3	.370
	530669-2	10	1.404	1.724	1.864	2-530669-2	.370
	530669-1	6	.780	1.100	1.240	2-530669-1	.370

OBSOLETE

1 PART NO	NO.OF. POSITION	A	B	C	2 PART NO	W
-----------	-----------------	---	---	---	-----------	---

THIS DRAWING IS A CONTROLLED DOCUMENT. DIN 11JUL75
 DIMENSIONS: INCHES. TOLERANCES UNLESS OTHERWISE SPECIFIED:
 0 PLC ± .005
 1 PLC ± .005
 2 PLC ± .005
 3 PLC ± .005
 4 PLC ± .005
 ANGLES ± .005

APVD 11JUL75
 APVD 16JUL75
 PRODUCT SPEC
 APPLICATION SPEC

WEIGHT 0.000000
 CUSTOMER DRAWING

DIN 11JUL75
 CHK 11JUL75
 APVD 16JUL75
 NAME
 SIZE CAGE CODE DRAWING NO RESTRICTED TO
 A1 00779 530669

TE TE Connectivity
 HOUSING ASSY, LOW PROFILE
 EDGE CONNECTOR, FLOW SOLDER POST FIT FOR
 .052 DIA. HOLE .156 X .140 CENTERS.

SCALE 5:1 SHEET 1 OF 1 REV S