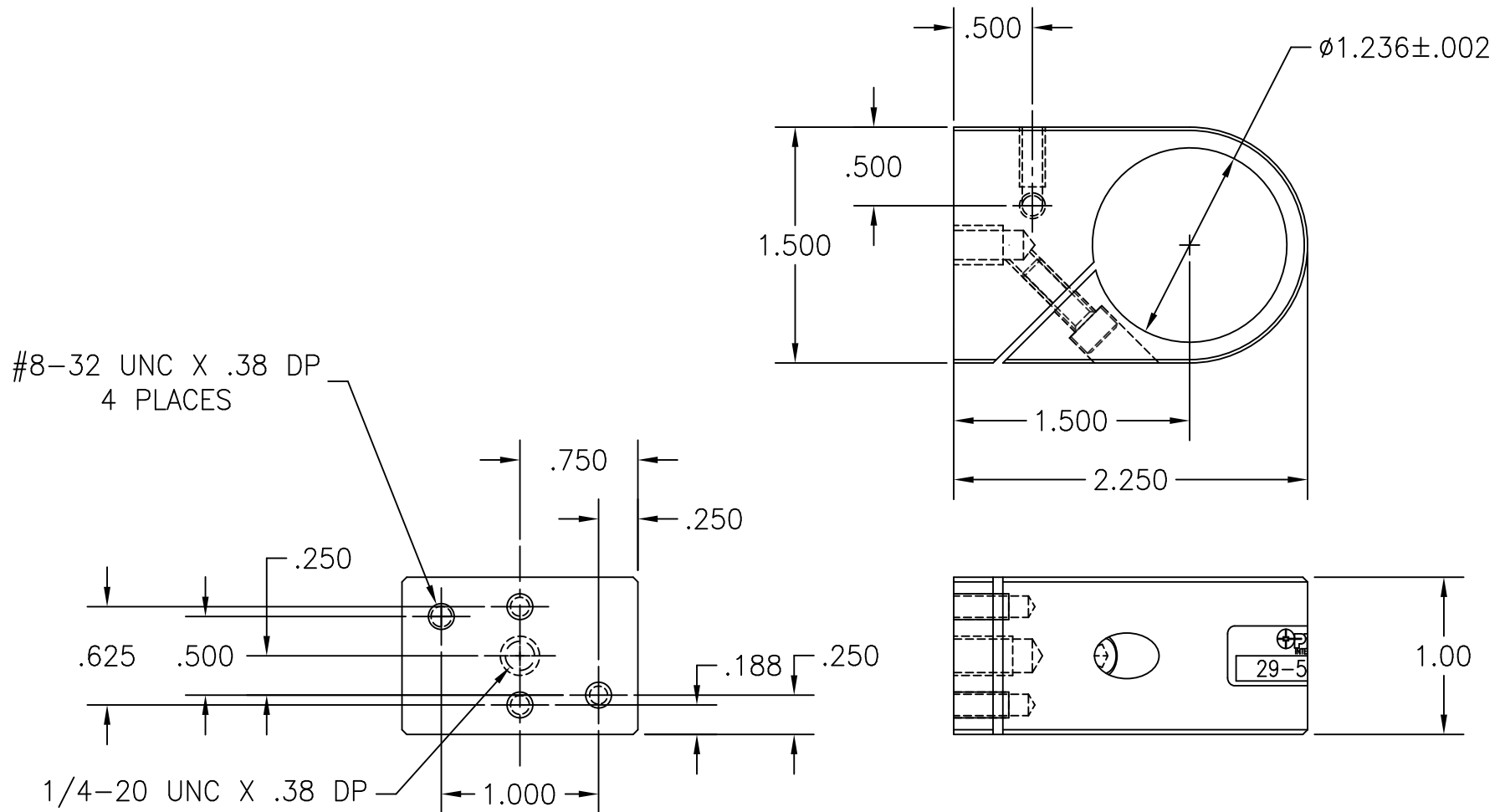


29-50-10 GENERIC ZOOM CLAMP



REV B 5/15/11