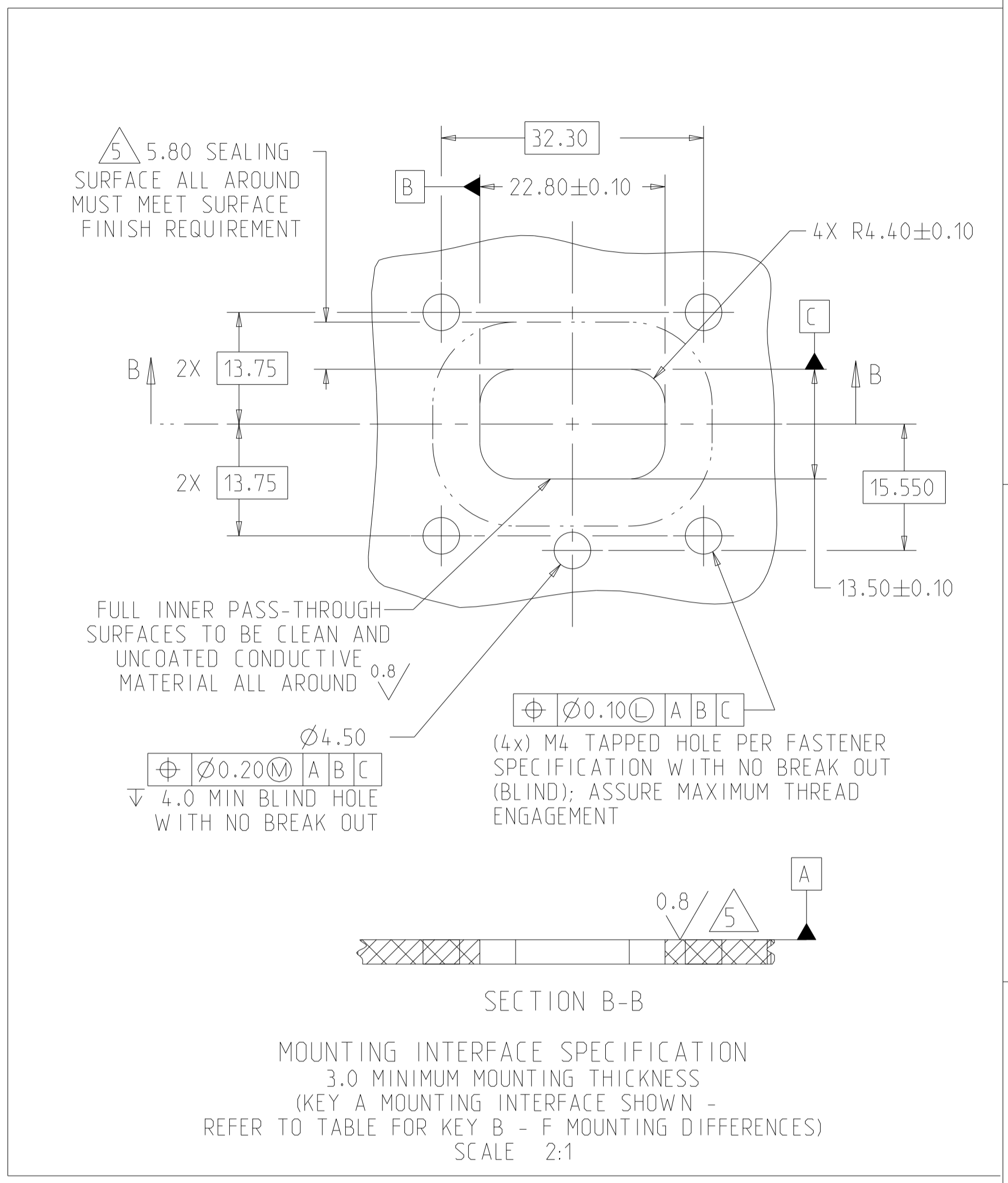
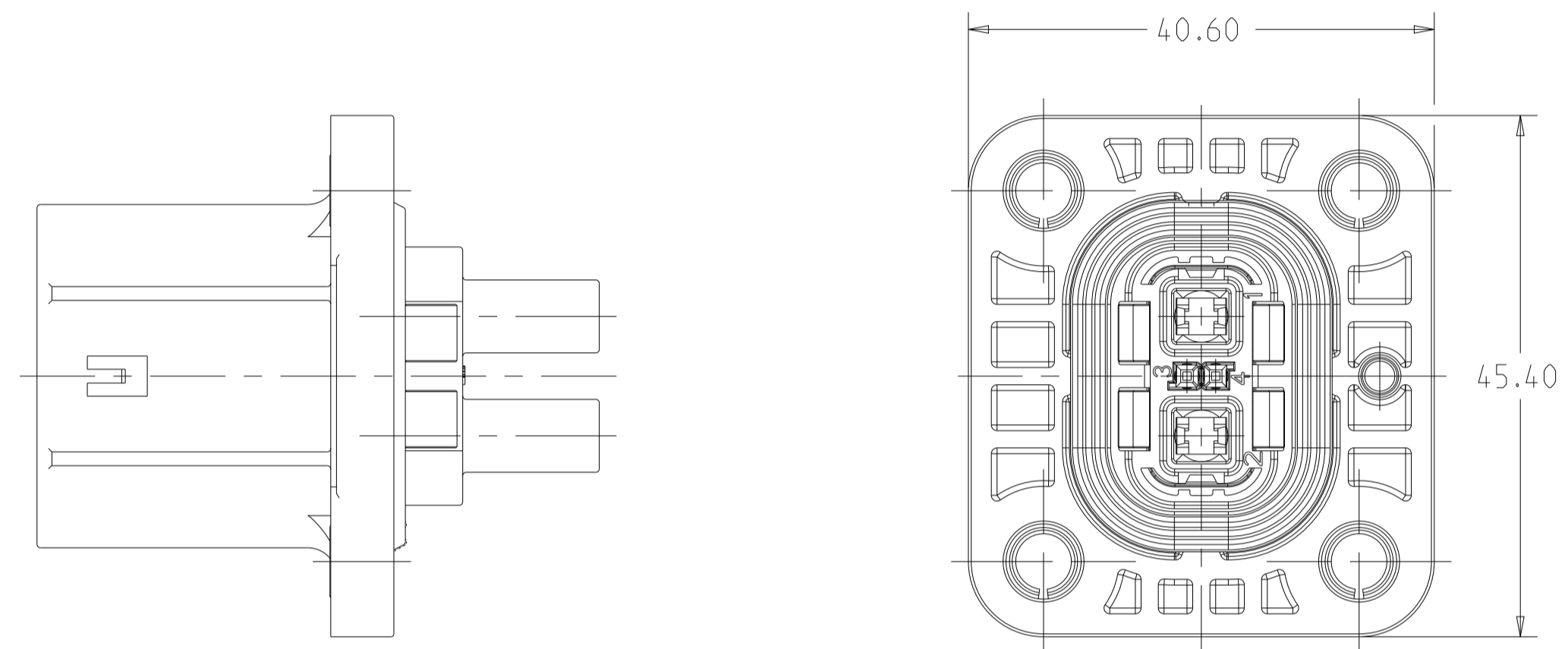
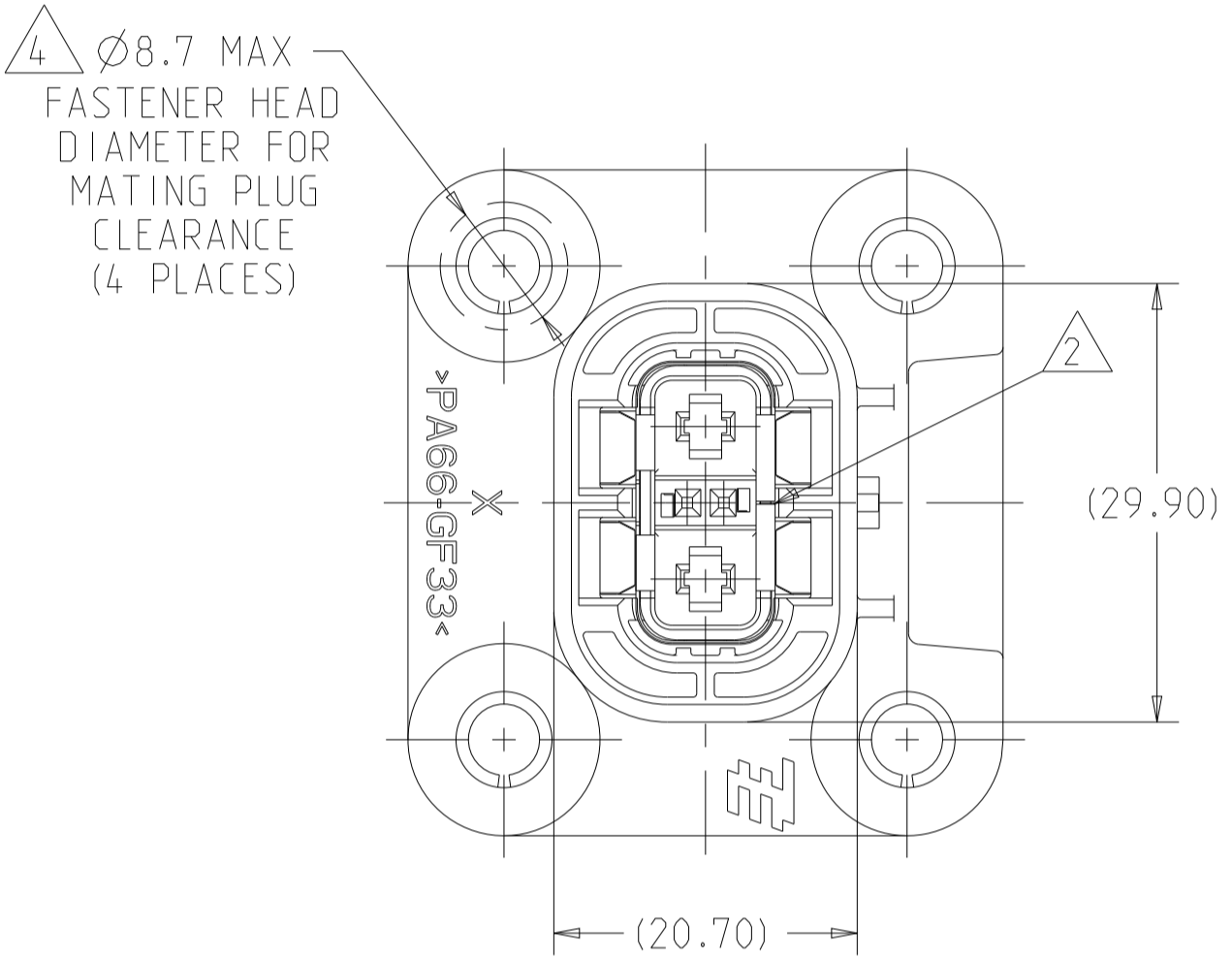
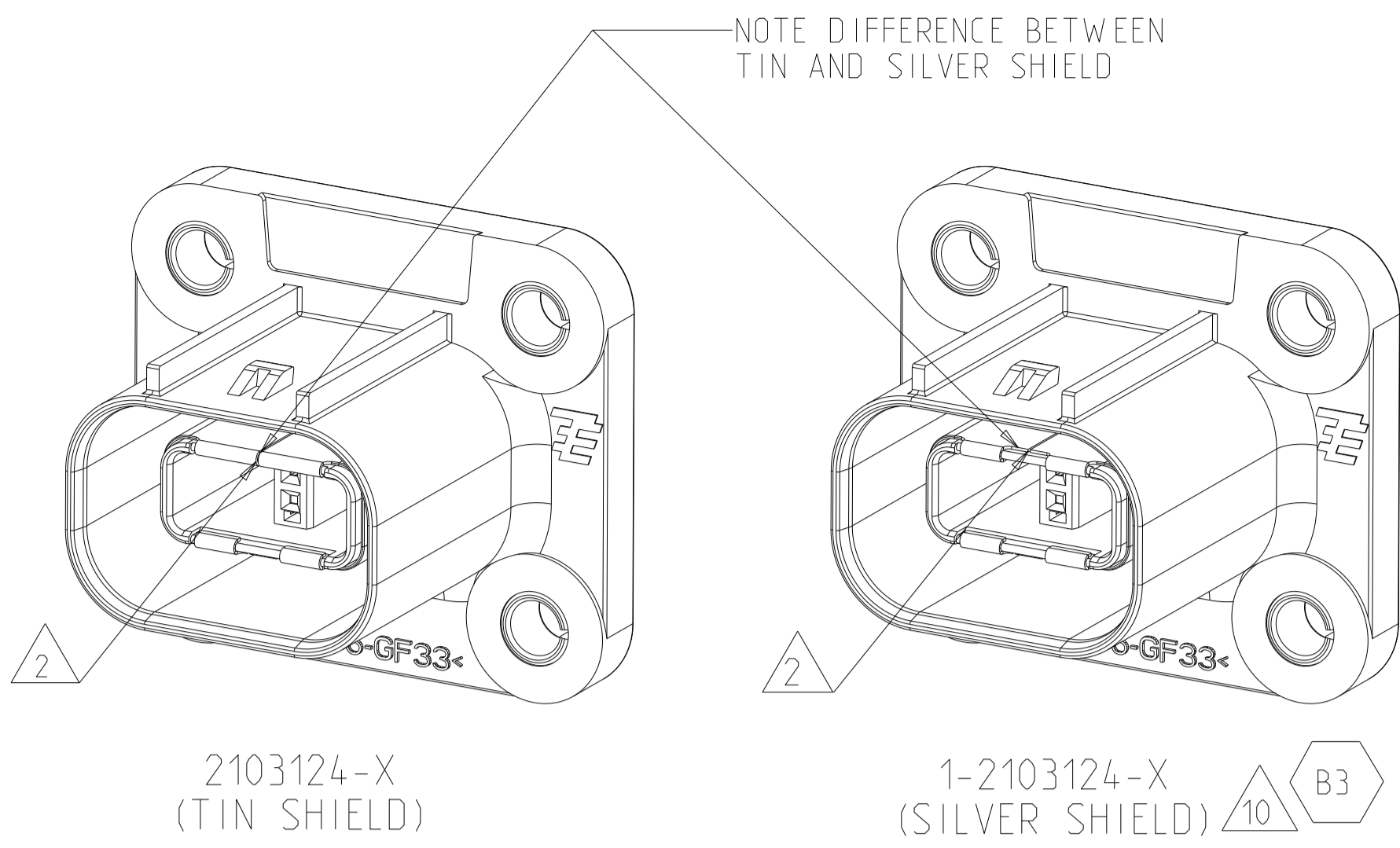
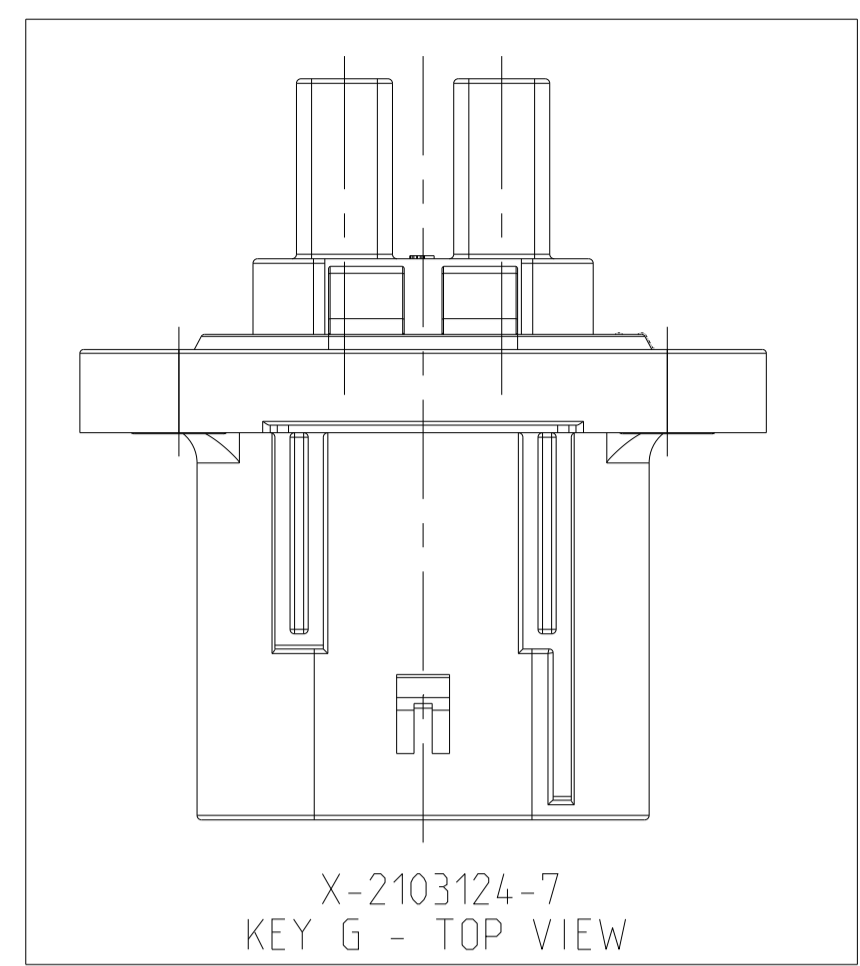
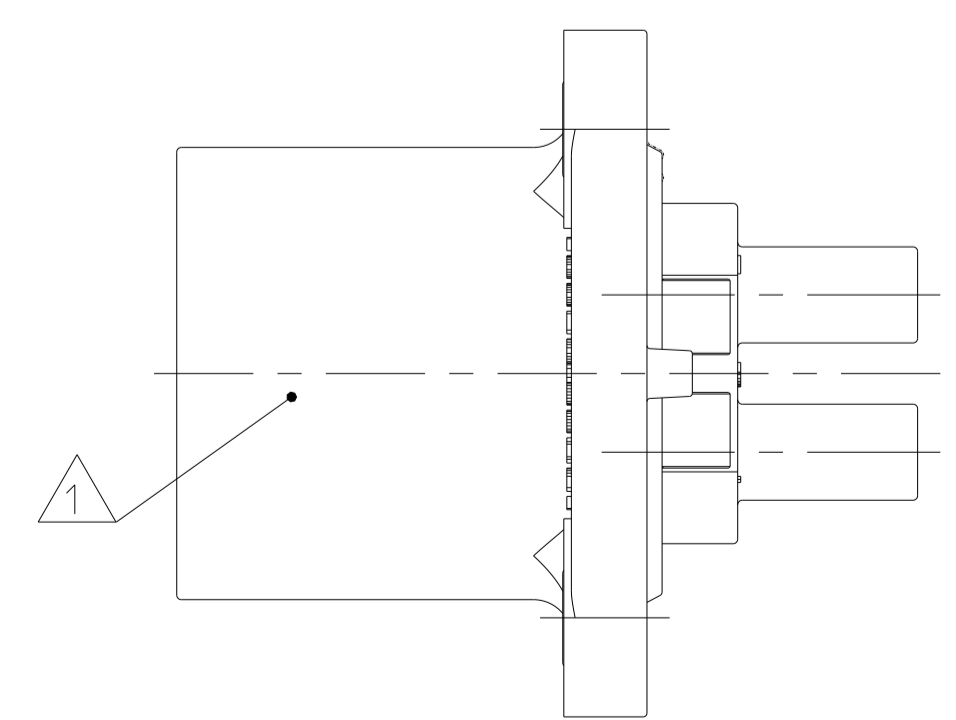
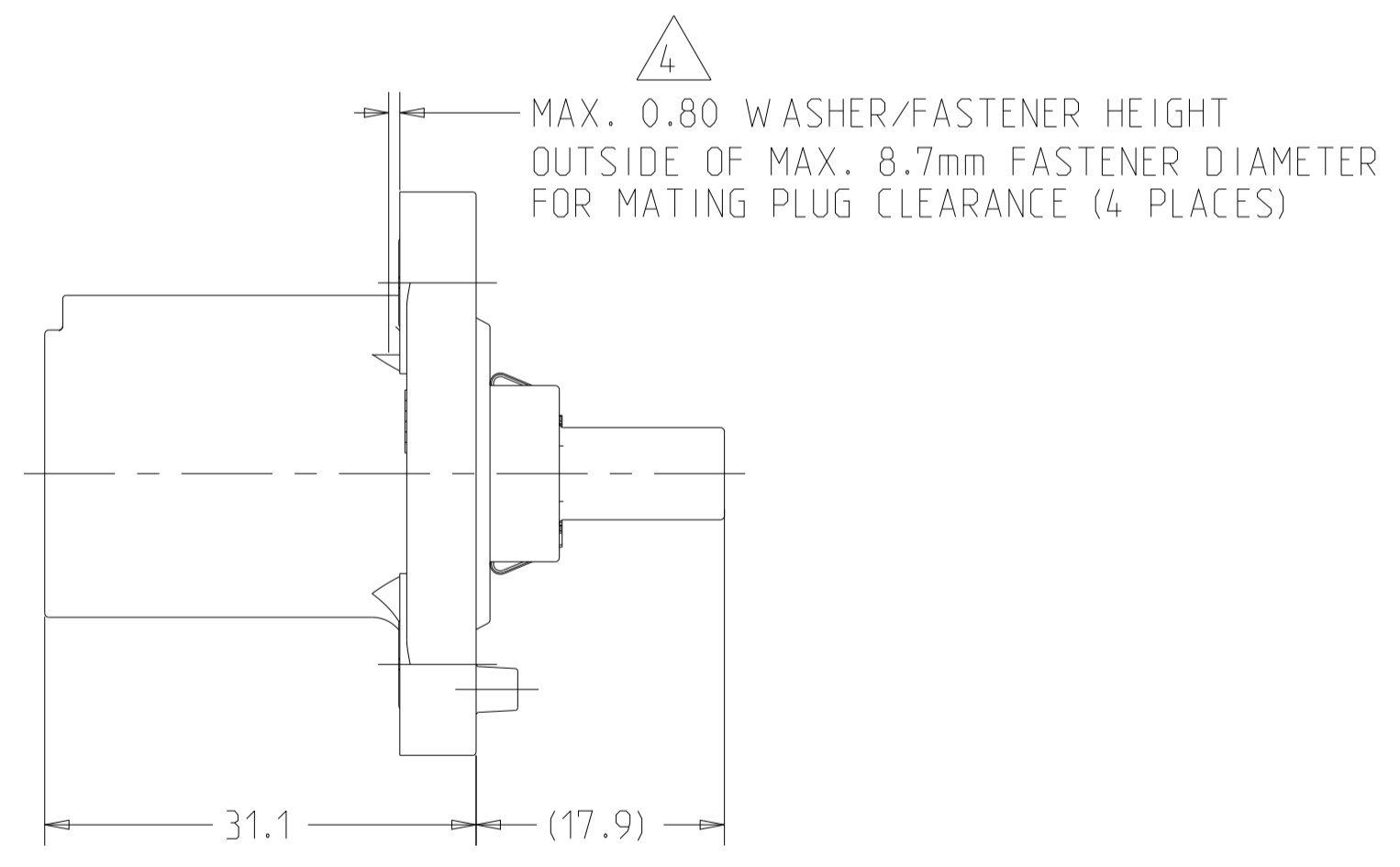


REVISIONS				
P	LTN	DESCRIPTION	DATE	OWN APVD
B2	ECN-14-008515		06JUN2014	YS TD
B3	ECN-22-154645		26MAY2022	JJH P.R



- 1 IDENTIFICATION MARKING ON THIS SURFACE CONTAINS ASSEMBLY P/N AND DATE CODE (YY/DD). TEXT ORIENTATION, SIZE, AND LOCATION CAN VARY AS LONG AS TEXT IS ON SURFACE SHOWN AND READABLE.
- 2 SHIELD SEAM CAN BE POSITIONED AS SHOWN OR ROTATED 180° FROM POSITION SHOWN.
- 3 NOTE DELETED
- 4 THESE DIMENSIONS DEFINE FASTENER SIZE LIMITS FOR PROPER COMPONENT FUNCTIONALITY. END USER MUST ENSURE FASTENER AND/OR WASHER DIAMETER IS 8.6mm MIN FOR PROPER RETENTION. THESE ARE NOT PRODUCT FEATURES - NO INSPECTION REQUIRED FOR THESE ITEMS.
- 5 SURFACE FINISH APPLIES TO AREAS SHOWN IN MOUNTING INTERFACE SPECIFICATION



2103124-1 SHOWN IN ALL VIEWS UNLESS NOTED REFER TO SHEET 2 FOR ADDITIONAL PART NUMBER VIEWS (REFER TO SHEET 3 AND 4 FOR 2-2103124-X)

MATERIAL	SHIELD FINISH	INDEX	ASSY PART NO.
PBT-GF30 (HEADER HOUSING)	SILVER	D	2-2103124-4
	SILVER	A	2-2103124-1
	SILVER	G	1-2103124-7
	SILVER	F	1-2103124-6
PA66-GF33 (HEADER HOUSING)	SILVER	E	1-2103124-5
	SILVER	D	1-2103124-4
	SILVER	B	1-2103124-2
	SILVER	A	1-2103124-1
	TIN	G	2103124-7
	TIN	F	2103124-6
	TIN	E	2103124-5
	TIN	D	2103124-4
TIN	B	2103124-2	
TIN	A	2103124-1	

THIS DRAWING IS A CONTROLLED DOCUMENT.

OWN: T. DEWITTE 30SEP2010
 CHK: T. DEWITTE 30SEP2010
 APVD: T. DEWITTE 15APR2011

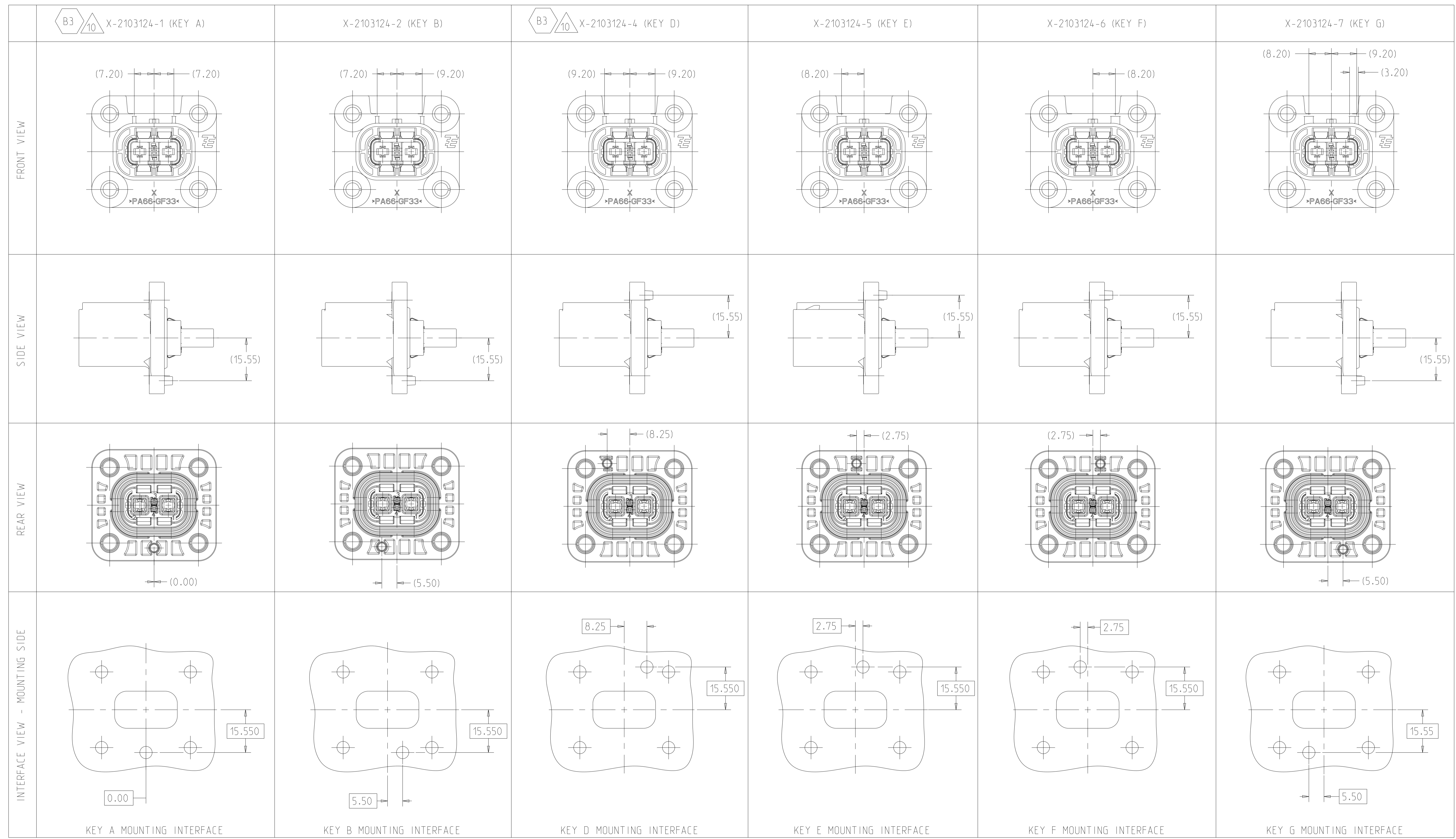
TE Connectivity

HVA280 2P HEADER ASSY W/HVIL - PLASTIC 1 PIECE CHART DRAWING

SIZE: 408-10441
 WEIGHT: 22.7 g
 CUSTOMER DRAWING

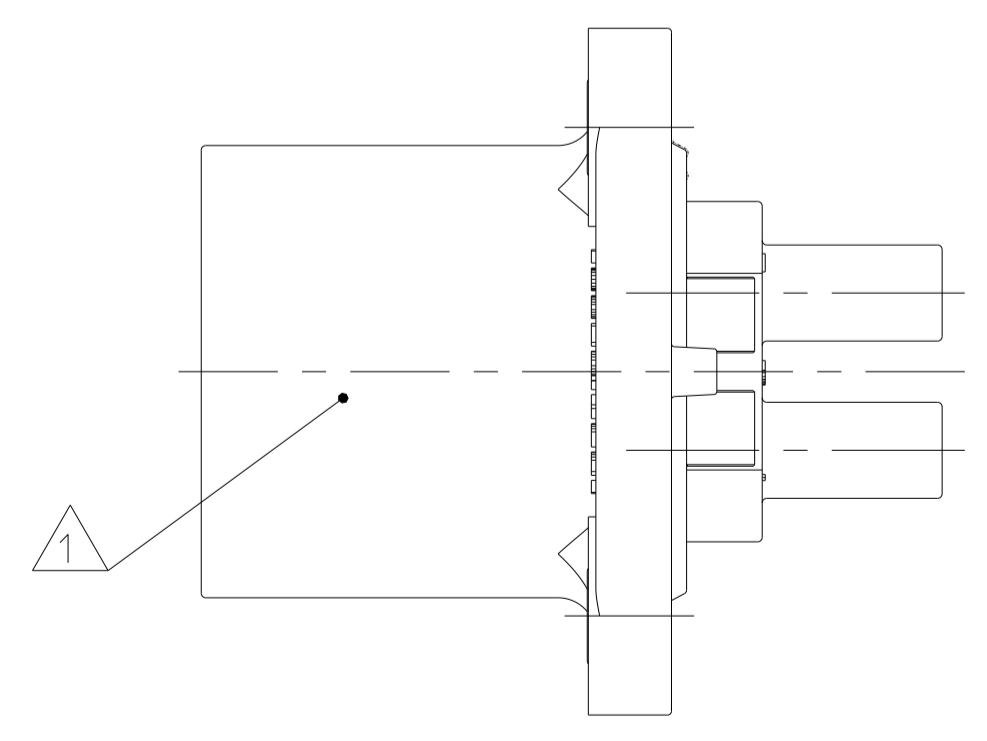
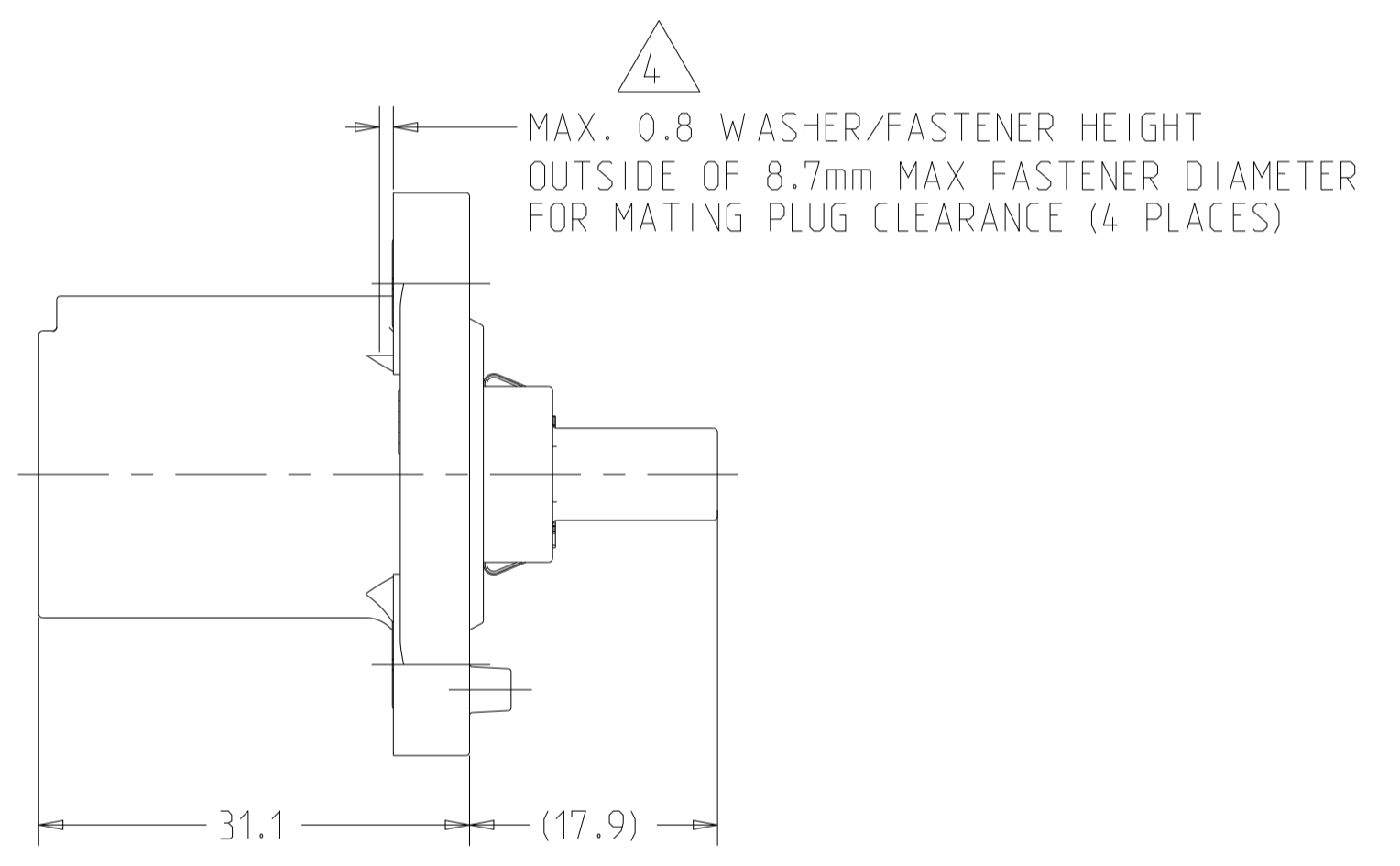
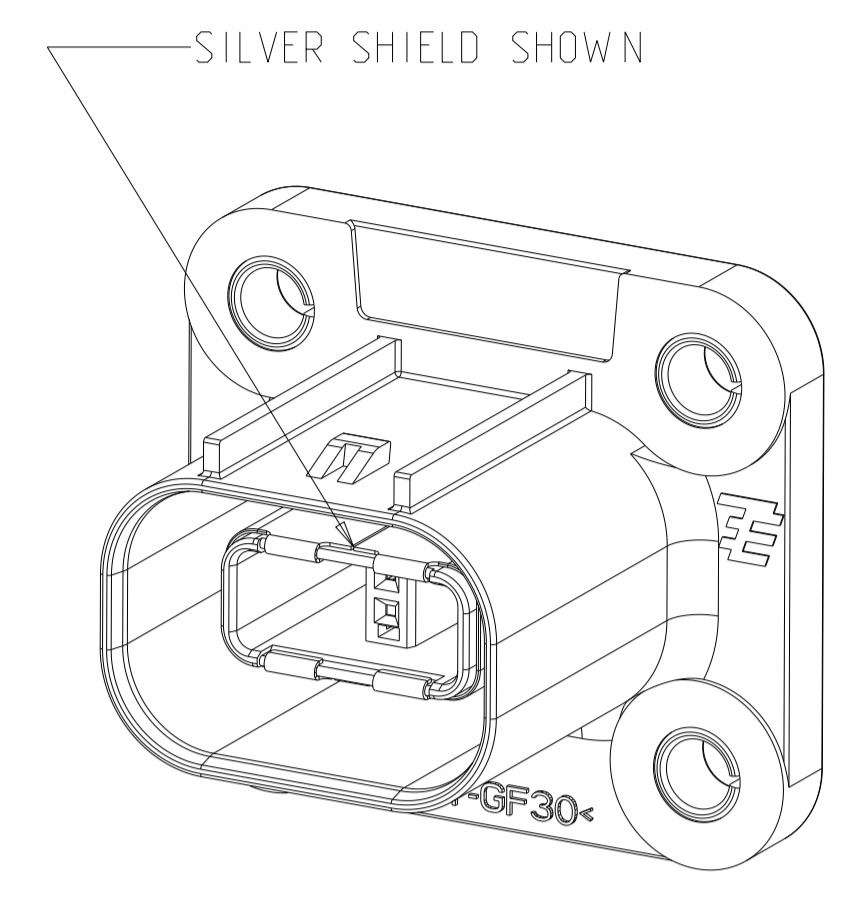
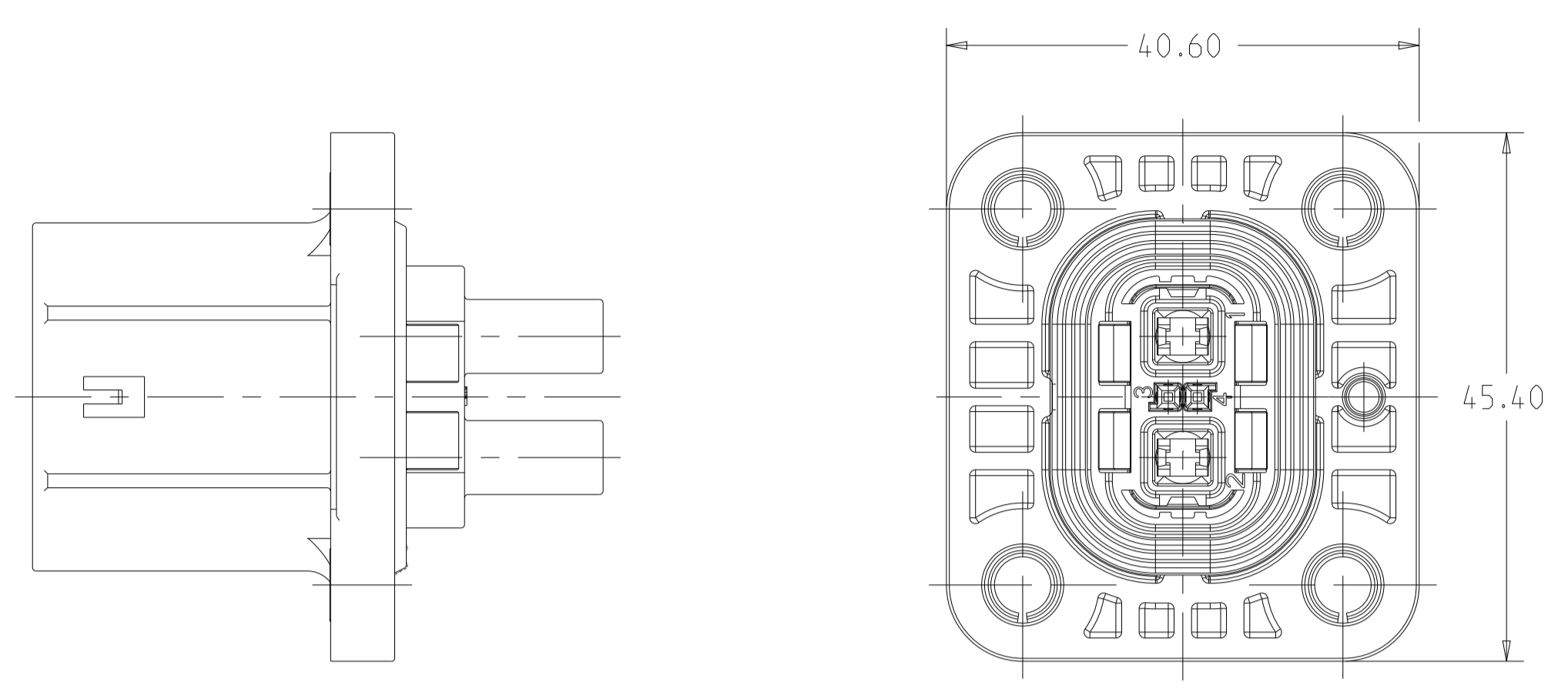
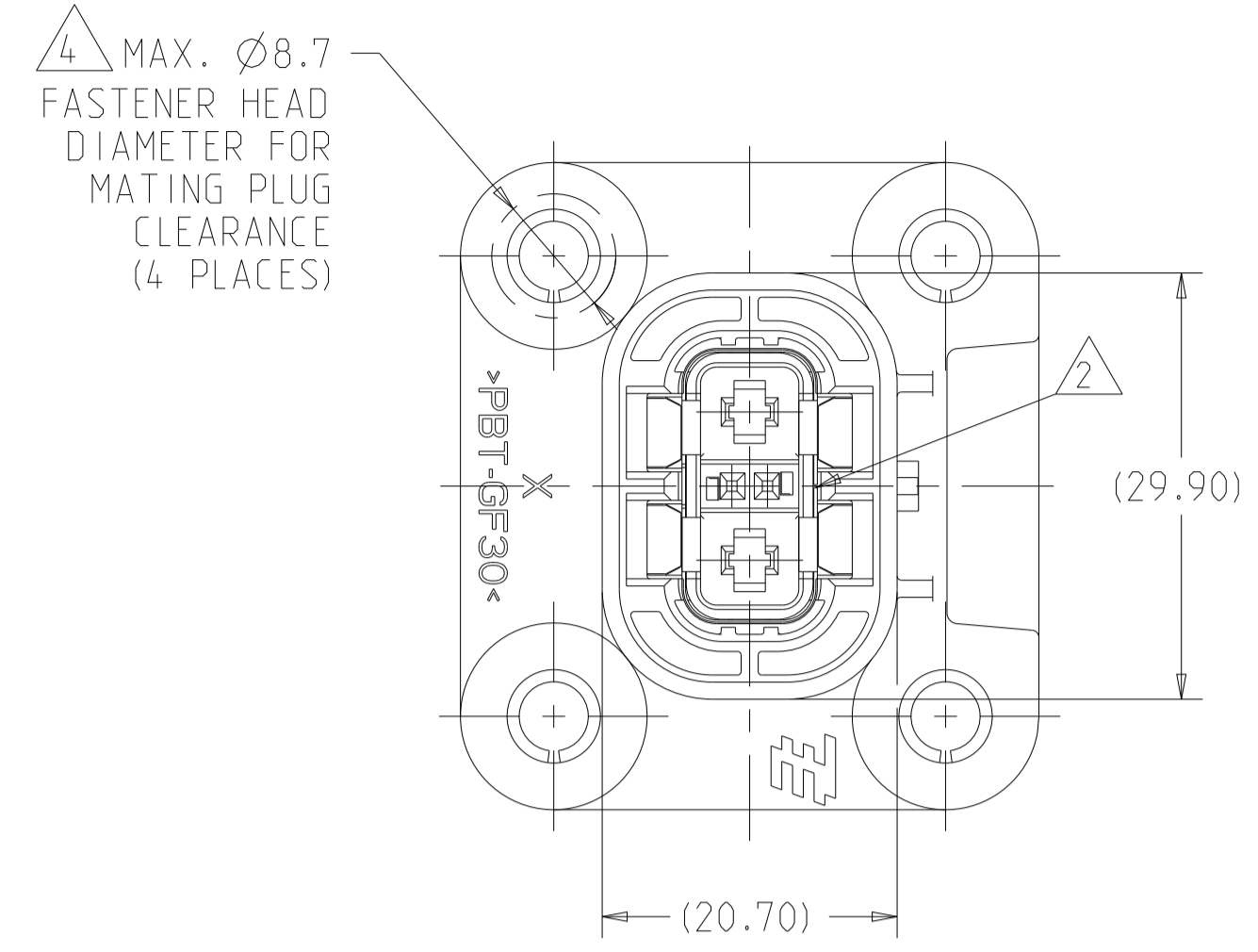
SCALE: 2:1 SHEET 1 OF 4 REV: B3

REVISIONS				
P	LTN	DESCRIPTION	DATE	APVD
-		SEE SHEET 1	-	-



THIS DRAWING IS A CONTROLLED DOCUMENT.		OWN T. DEWITTE 30SEP2010	TE Connectivity
DIMENSIONS: mm		CHK T. DEWITTE 30SEP2010	
TOLERANCES UNLESS OTHERWISE SPECIFIED:		APVD T. DEWITTE 15APR2011	NAME HVA280 2P HEADER ASSY W/HVIL - PLASTIC 1 PIECE CHART DRAWING
0 PLC ±0.50 1 PLC ±0.50 2 PLC ±0.15 3 PLC ±0.05 4 PLC ±0.05 ANGLES ±3°		PRODUCT SPEC	SIZE A1
MATERIAL SEE TABLE Siehe Tabelle		APPLICATION SPEC	RESTRICTED TO
FINISH SEE TABLE Siehe Tabelle		408-10441	SIZE CAGE CODE DRAWING NO A1 00779 ©=2103124
CUSTOMER DRAWING		WEIGHT 22.7 g	SCALE 2:1
			SHEET 2 OF 4 REV B3

REVISIONS				
P	LTN	DESCRIPTION	DATE	APVD
-		SEE SHEET 1	-	-

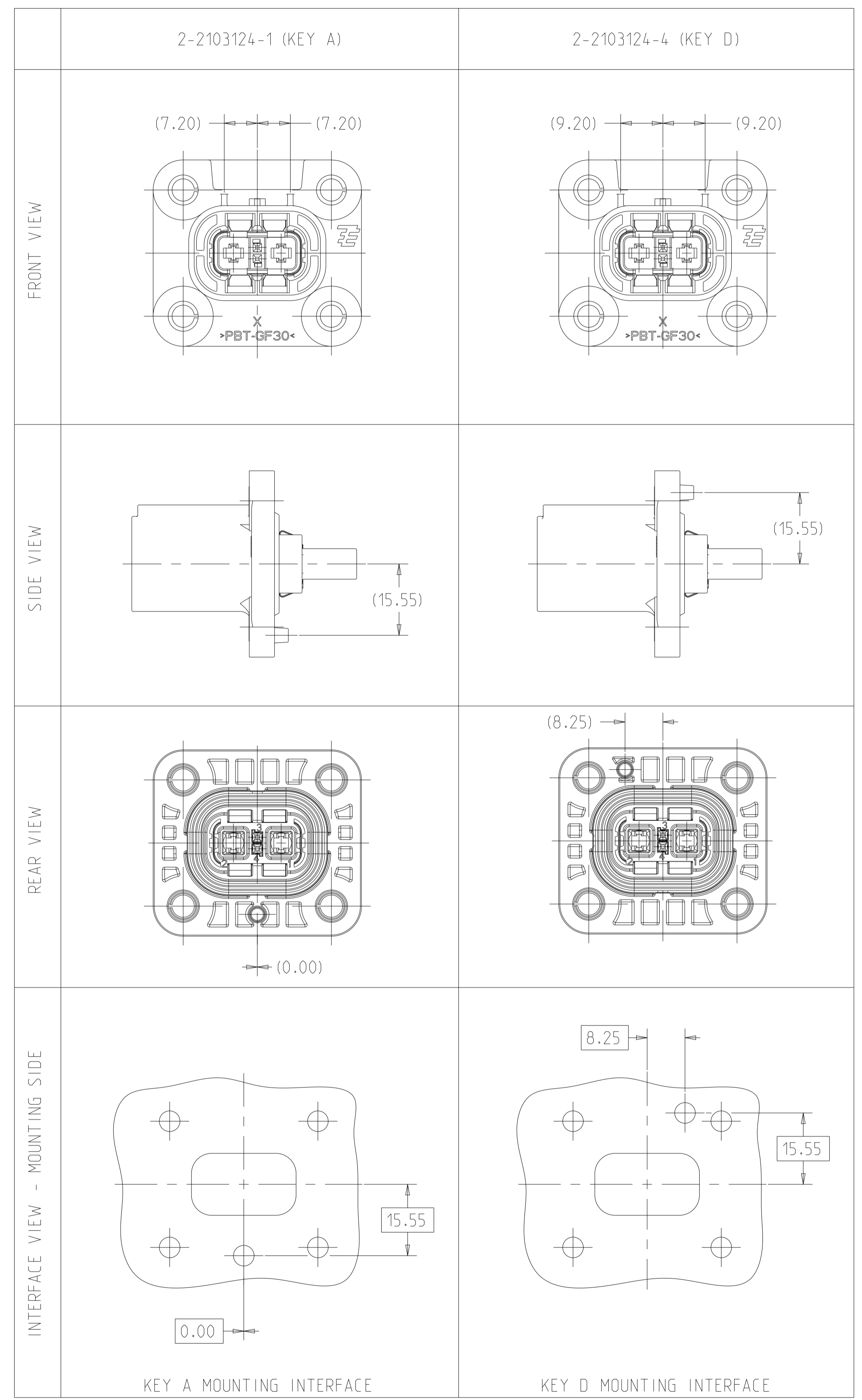


B3 2-2103124-1 SHOWN IN ALL VIEWS UNLESS NOTED REFER TO SHEET 4 FOR ADDITIONAL PART NUMBER VIEWS

THIS DRAWING IS A CONTROLLED DOCUMENT.		OWN T. DEWITTE 30SEP2010		
		CHK T. DEWITTE 30SEP2010		
DIMENSIONS:		APVD T. DEWITTE 15APR2011	NAME HVA280 2P HEADER ASSY	
mm	TOLERANCES UNLESS OTHERWISE SPECIFIED:	PRODUCT SPEC	W/HVIL - PLASTIC 1 PIECE	
	0 PLC ±0.50	APPLICATION SPEC	CHART DRAWING	
	1 PLC ±0.50	408-10441	SIZE A1	CAGE CODE 00779
	2 PLC ±0.15	WEIGHT 22.7 g	DRAWING NO C=2103124	
	3 PLC ±0.05	CUSTOMER DRAWING	SCALE 2:1	SHEET 3 OF 4
	4 PLC ±		REV B3	
	ANGLES ±			
	FINISH ±0.3			

REVISIONS				
P	LTN	DESCRIPTION	DATE	APVD
-		SEE SHEET 1	-	-

B3



THIS DRAWING IS A CONTROLLED DOCUMENT.		OWN T. DEWITTE 30SEP2010	TE Connectivity
DIMENSIONS: mm		CHK T. DEWITTE 30SEP2010	
TOLERANCES UNLESS OTHERWISE SPECIFIED: 0 PLC ±0.50 1 PLC ±0.50 2 PLC ±0.15 3 PLC ±0.05 4 PLC ±0.05 ANGLES ±°		APVD T. DEWITTE 15APR2011	NAME HVA280 2P HEADER ASSY W/HVIL - PLASTIC 1 PIECE CHART DRAWING
MATERIAL SEE TABLE Siehe Tabelle		APPLICATION SPEC 408-10441	SIZE A1
FINISH SEE TABLE Siehe Tabelle		WEIGHT 22.7 g	CAGE CODE 00779
CUSTOMER DRAWING		SCALE 2:1	RESTRICTED TO SHEET 4 OF 4 REV B3