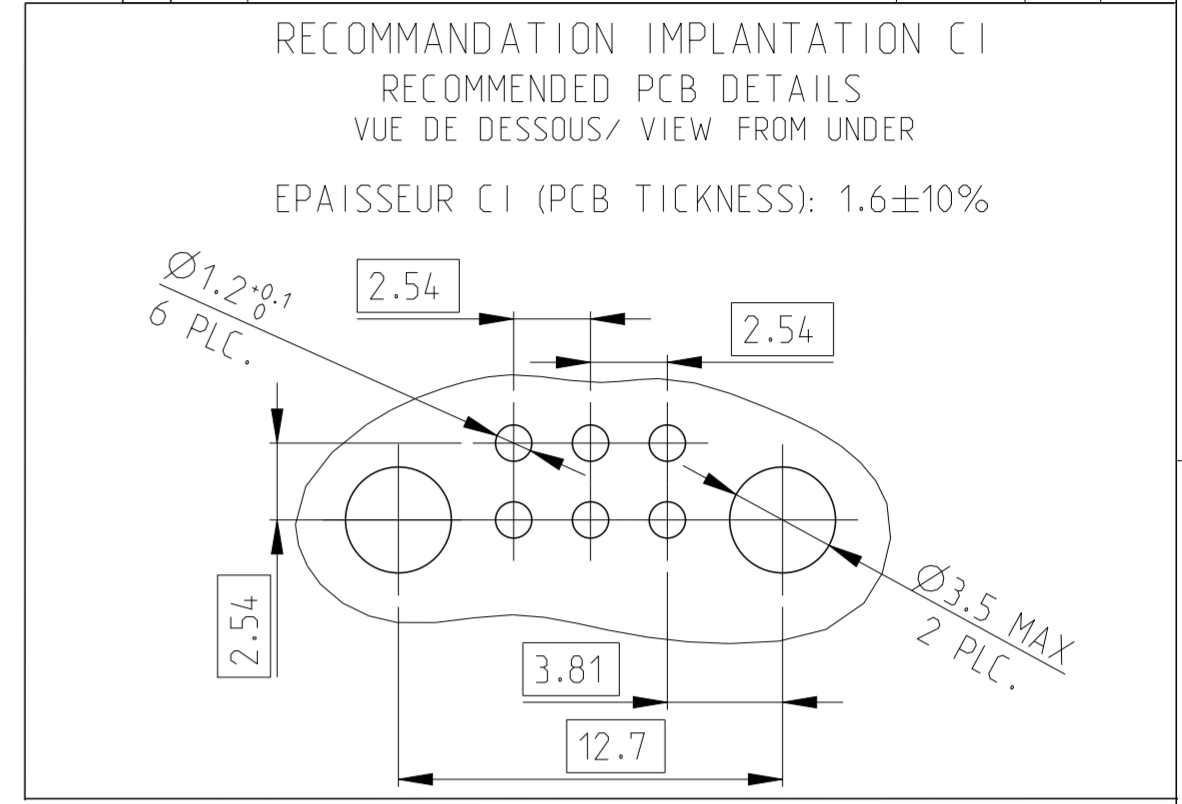
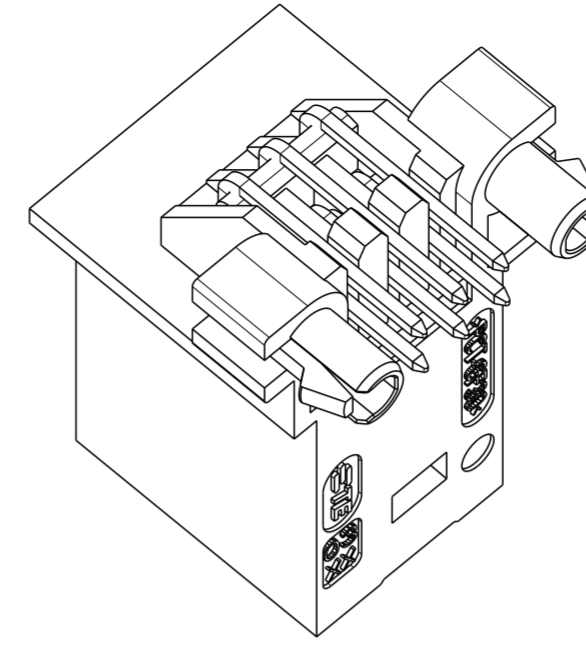
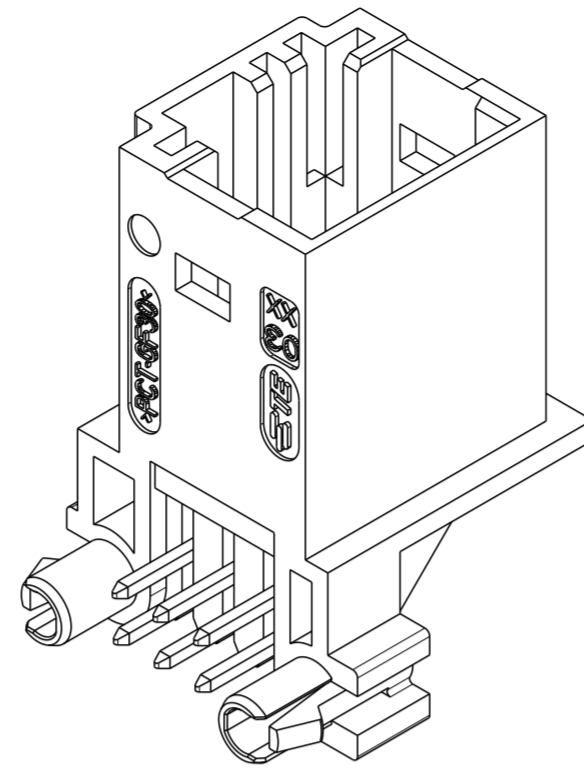
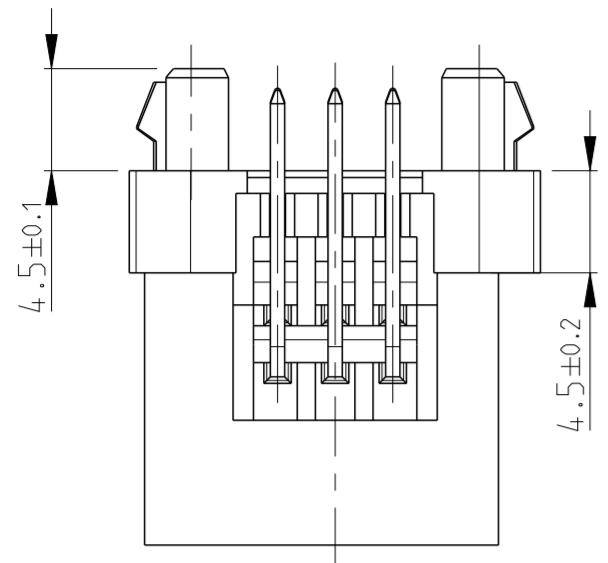
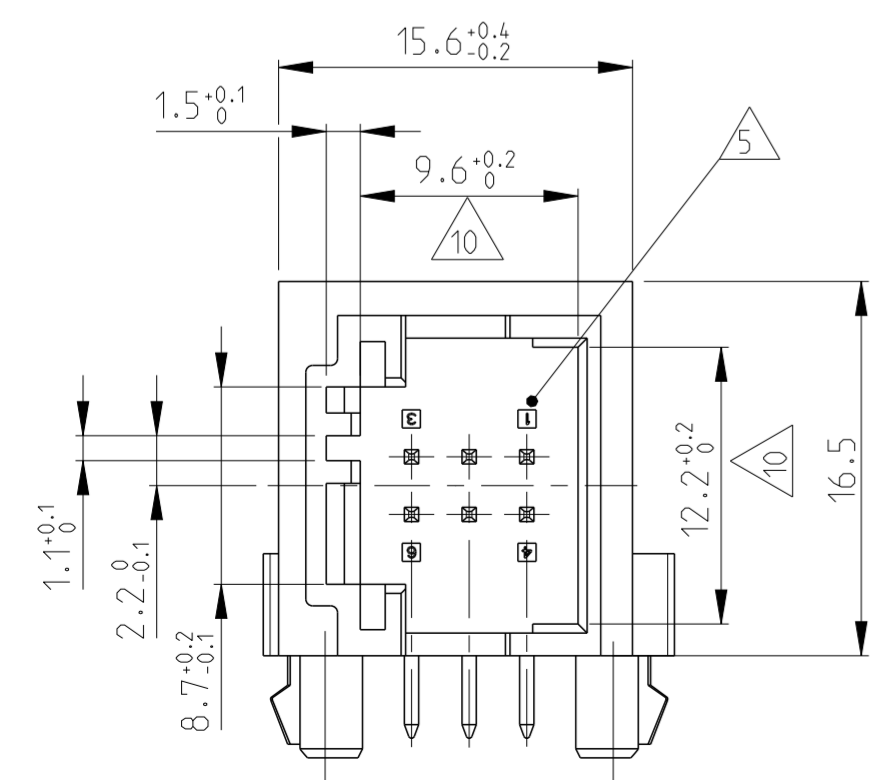
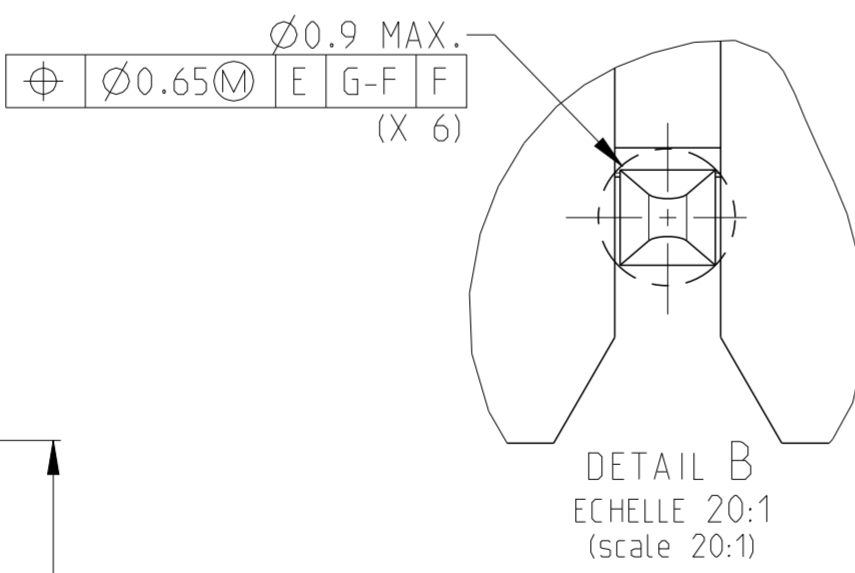
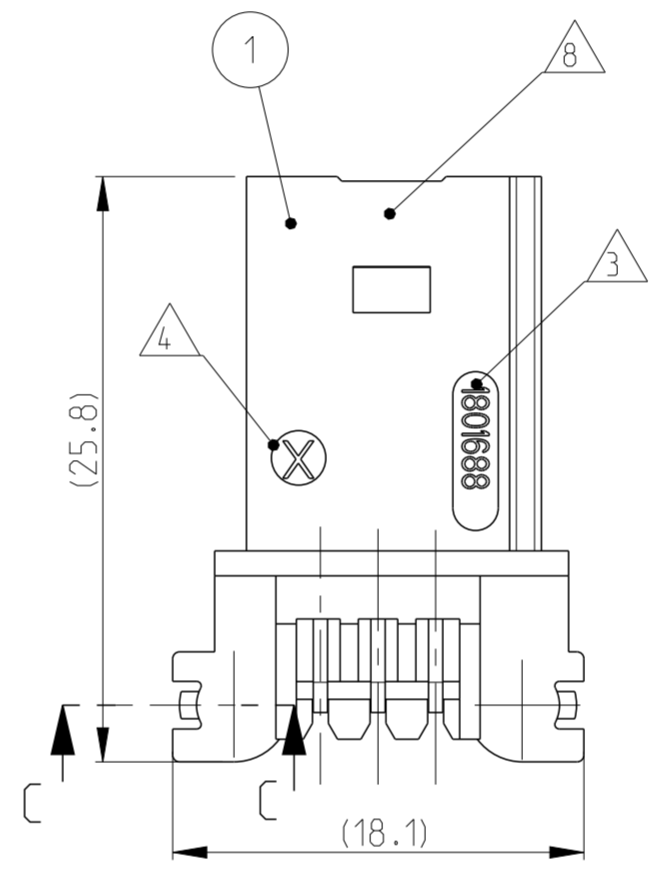
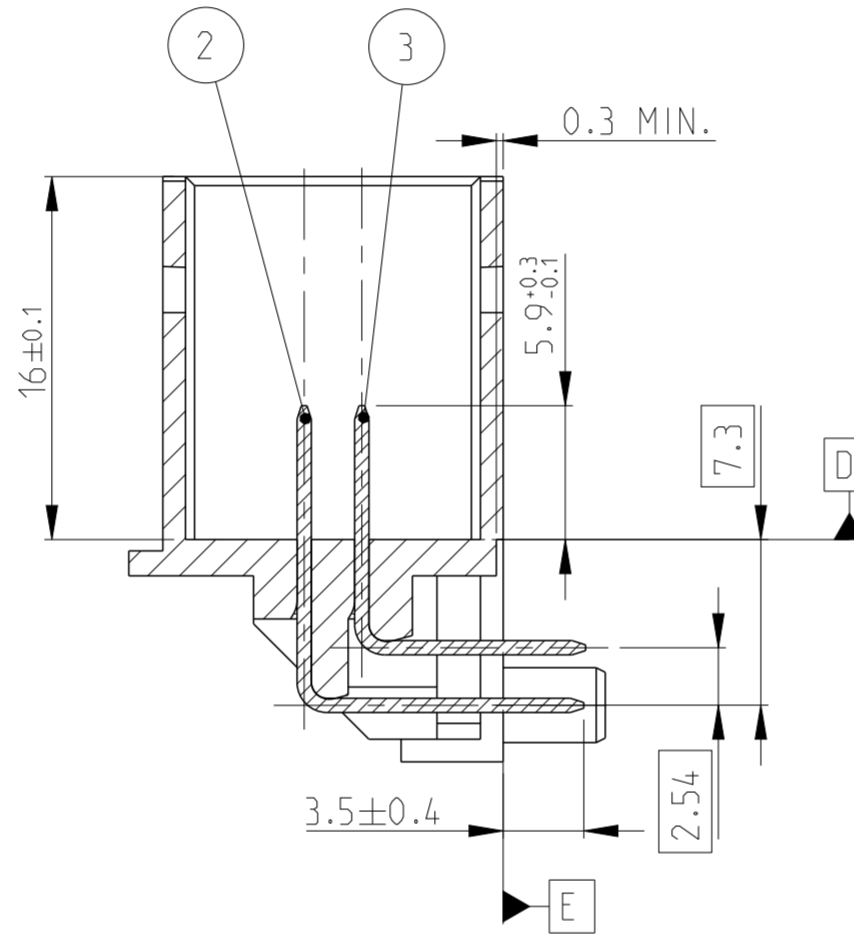
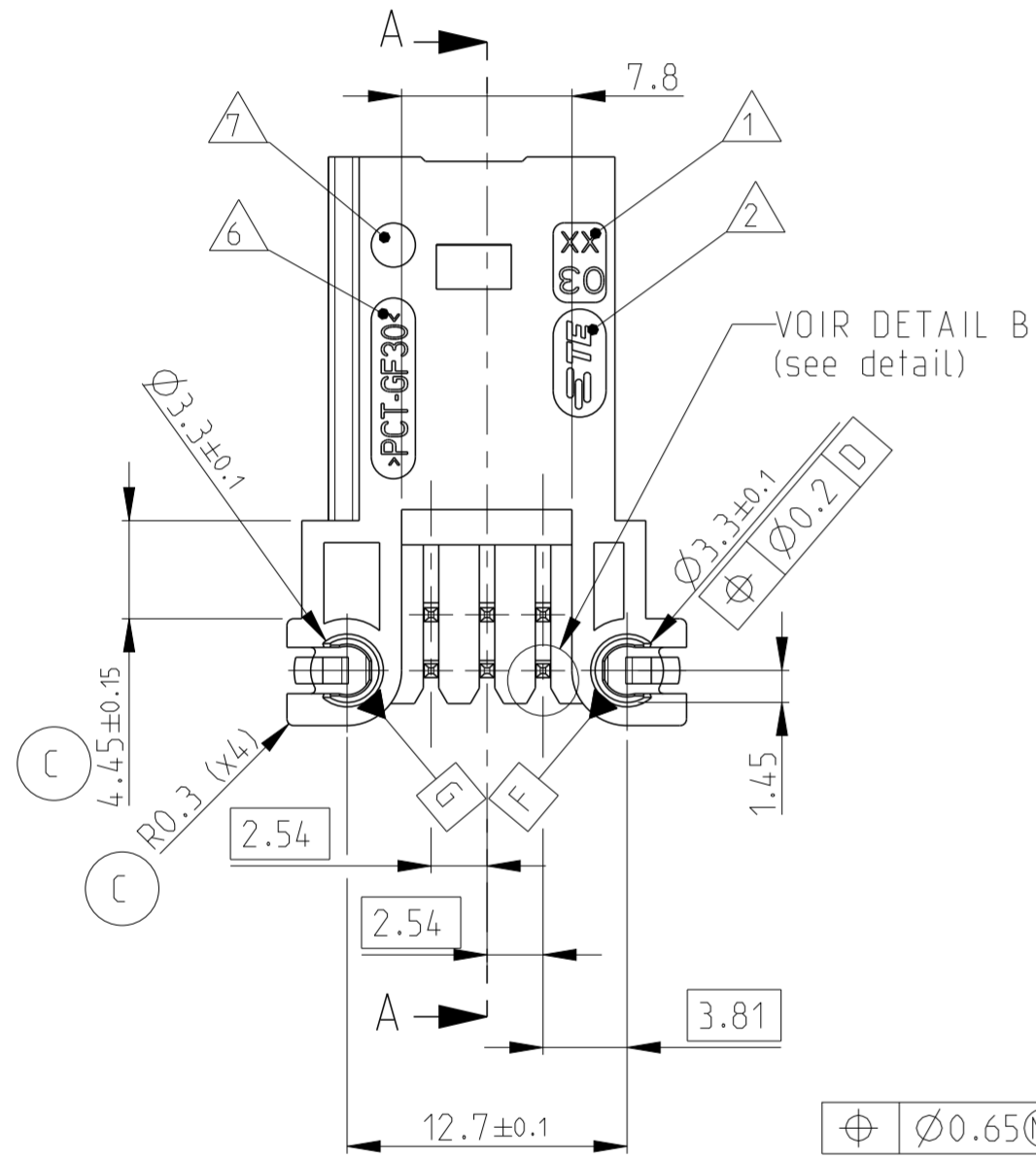


THIS DRAWING IS UNPUBLISHED. RELEASED FOR PUBLICATION 20
 © COPYRIGHT 20 ALL RIGHTS RESERVED.

LOC	DIST	REVISIONS					
		P	LTR	DESCRIPTION	DATE	DWN	APVD
F	-	C		BOARDLOCK MODIFICATION	03FEB2015	AD	JL



- NOTES:
- 1: DATE PRODUCTION BOITIER PLASTIQUE. (Production date of plastic part).
 - 2: LOGO "TE".
 - 3: REFERENCE DU PRODUIT (part number).
 - 4: NUMERO D'EMPREINTE MOULE BOITIER. (mold cavity identification number).
 - 5: REPERE ALVEOLE (cavity marking).
 - 6: IDENTIFICATION DE LA MATIERE. (material identification).
 - 7: INDICE REVISION DE LA PIECE (part status revision).
 - 8: DATE D'ASSEMBLAGE (Assembly date code).
 - 9: EN ACCORD AVEC LA SPEC D'INTERFACE TE: 208-15575. (according to TE interface spec).
 - 10: DIMENSIONS QUALIFIEES SUIVANT SPEC TE:109-201 TEST CONDITION B. (dimensions qualified according TE spec 109-201 condition B).



1801688-1 as shown

REFERENCE (assy p/m)	1801688-1				
3	CuSn6	BROCHE MQS COURTE (short pin MQS contact)	ETAME (tinned)	3	
3	CuSn6	BROCHE MQS LONGUE (long pin MQS contact)	ETAME (tinned)	2	
1	PCT 30%GF	BOITIER (housing)	MARRON (brown)	1	
	MATIERE (material)	DESIGNATION (description)	FINITION (finish)	REP (item)	

THIS DRAWING IS A CONTROLLED DOCUMENT.

DWN: A.DUPUIS 03FEV2011
 CHK: J.LALANGE 03FEV2011
 APVD: J.JREVIL 03FEV2011

DIMENSIONS: mm TOLERANCES UNLESS OTHERWISE SPECIFIED:
 0 PLC ±0.1
 1 PLC ±0.15
 2 PLC ±0.2
 3 PLC ±0.3
 4 PLC ±0.4
 ANGLES ±2°

PRODUCT SPEC: 108-15409
 APPLICATION SPEC: -
 WEIGHT MASSE APPROX.: -

Customer Drawing

NAME: EMBASE 6 VOIES COUDEE MQS AVEC BOARD LOCKS HEADER, RIGHT ANGLE, 6W, MQS

SIZE: A2 CAGE CODE: 00779 DRAWING NO: C-1801688 RESTRICTED TO: -

SCALE: 3:1 SHEET 1 OF 1 REV C