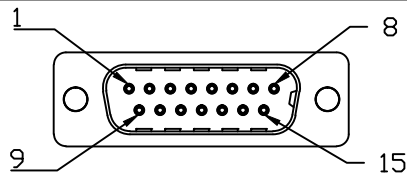
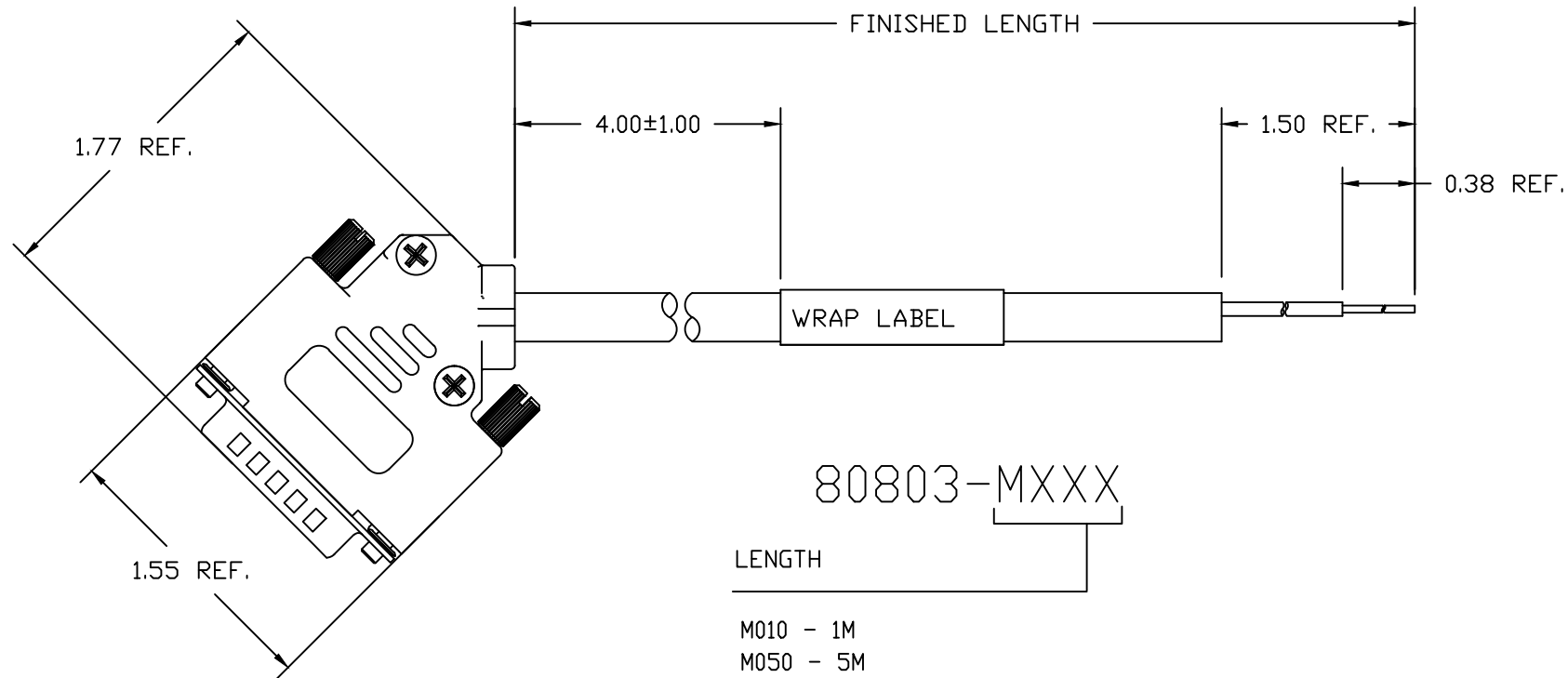


FRONT VIEW - D-SUB



2-BROWN
4-WHITE
5-GRAY
8-GREEN
13-PINK
15-YELLOW

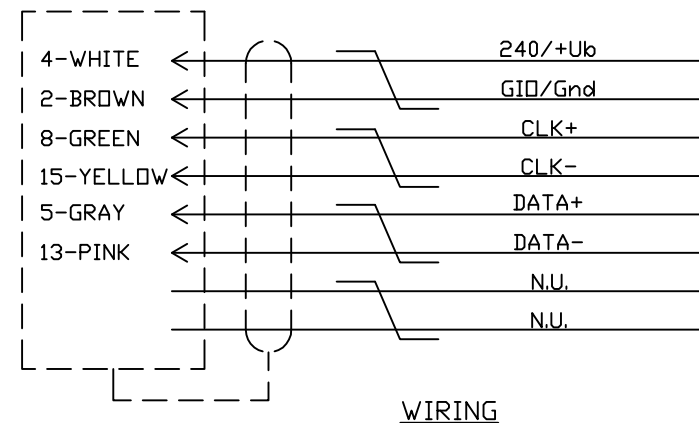
PART NUMBER	ENGINEERING NUMBER	FINISH LENGTH
1200690282	80803-M200	65.62' +24.5"-0 [20M +0.62 -0]
1200690292	80803-M210	68.9' +24.5"-0 [21M +0.62 -0]
1200690283	80803-M300	98.43' +24.5"-0 [30M +0.62 -0]
1200690297	80803-M350	114.84' +24.5"-0 [35M +0.62 -0]



80803-MXXX
LENGTH
M010 - 1M
M050 - 5M
M200 - 20M

CUSTOMER PRODUCTION APPROVAL
APPROVED BY: _____
DATE: _____
MUST BE SIGNED AND RETURNED BEFORE
PRODUCTION WILL BEGIN.

SALES DRAWING



NOTES:

MECHANICAL

D-SUB FACE

SHELLS: TIN/CADMIUM/ZINC PLATED STEEL
INSULATOR: SELF EXTINGUISHING THERMOPLASTIC TO UL CLASS 94
CONTACT: Ø 0.1 MM. COPPER ALLOY, GXT/GOLD OVER NICKEL PLATING
SUPPLIER: FCI PART NUMBER DAP15P065TXLF

D-SUB OUTER SHELL

MATERIAL: ZINC DIE-CAST, NICKEL PLATED
STRAIN RELIEF: POLYCARBONATE (UL94V-0)
SUPPLIER: FCI PART NUMBER 8655MHRA1501LF

CABLE

TYPE: 24 AWG 4 PAIR CONDUCTORS LIYCY GRAY PVC JACKET
WRAP LABEL: MARKED WITH P/N, DATE CODE, VOLTAGE & AMPERAGE

ELECTRICAL

FACE

OPERATING TEMP.: -20°C TO +80°C
VOLTAGE: 30V
AMPERAGE: 2A

INITIAL RELEASE EC NO: SCRNOVICH DRWN: BARDEN 2013/07/23 CHKD: ! APPR: BWOODMAN 2013/05/13	QUALITY SYMBOLS ▽=0 ▽C=0	GENERAL TOLERANCES (UNLESS SPECIFIED)		DIMENSION STYLE INCH ONLY		SCALE NTS	DESIGN UNITS INCH	THIRD ANGLE PROJECTION		
			mm	INCH	DRAWN BY BARDEN	DATE 2013/02/25	TITLE D-SUB ASSEMBLY 15P 45D 24/4P PVC SHIELDED			
		4 PLACES	±---	±---	CHECKED BY BWOODMAN	DATE 2013/03/08				
		3 PLACES	±---	±.005	APPROVED BY BWOODMAN	DATE 2013/05/13	MOLEX INCORPORATED DOCUMENT NO. SD-120069-021 SHEET NO. 1 OF 1			
2 PLACES	±0.13	±.010	MATERIAL NO. SEE CHART							
1 PLACE	±0.25	±.020	ANGULAR ±.5°		SIZE B		THIS DRAWING CONTAINS INFORMATION THAT IS PROPRIETARY TO MOLEX INCORPORATED AND SHOULD NOT BE USED WITHOUT WRITTEN PERMISSION			
DRAFT WHERE APPLICABLE MUST REMAIN WITHIN DIMENSIONS										