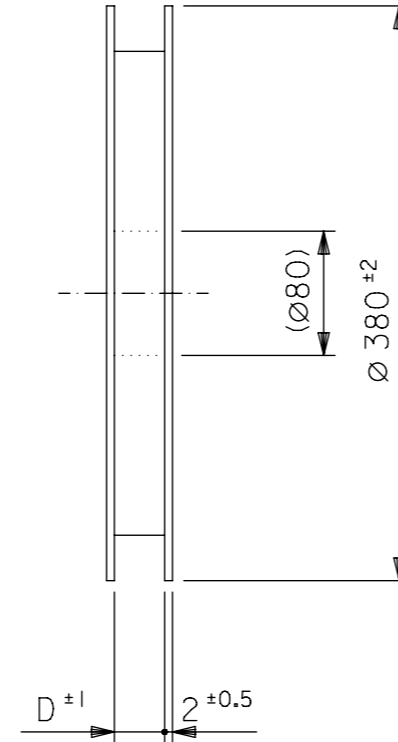
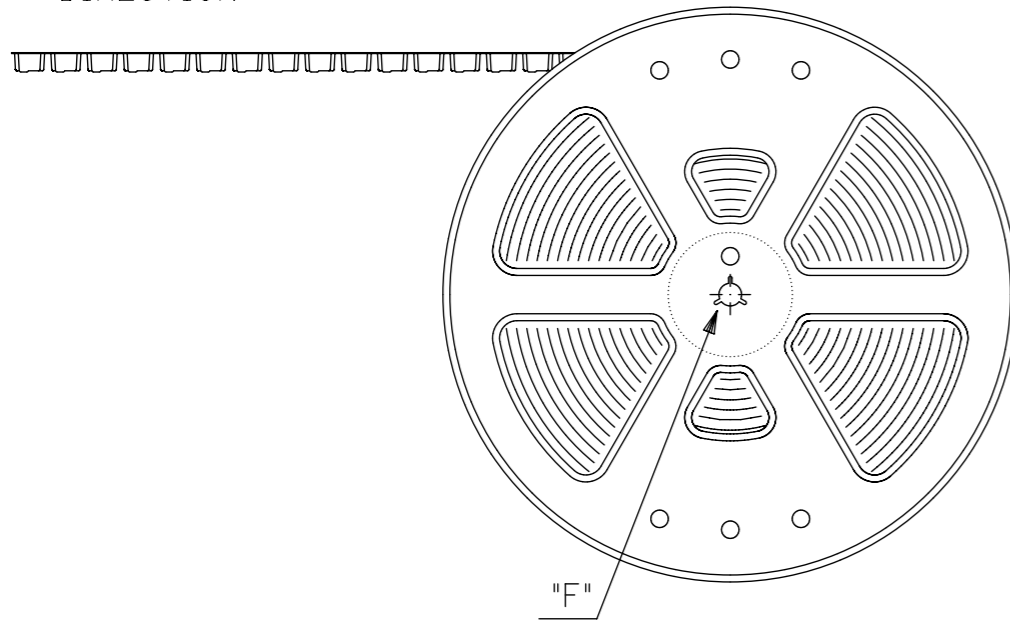


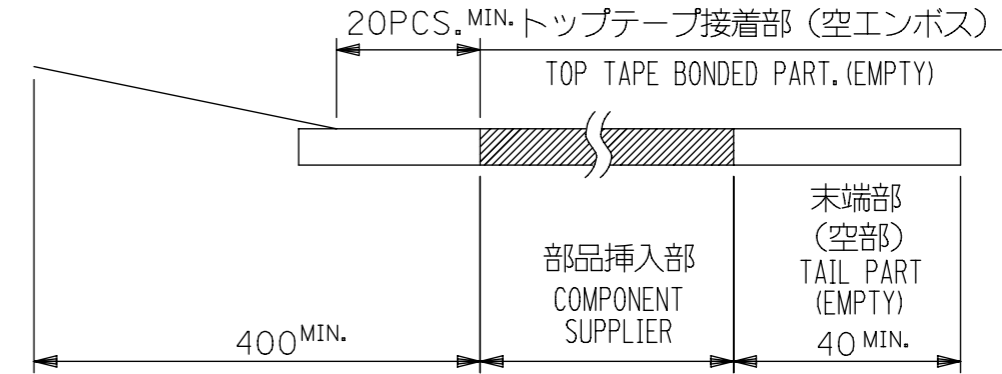
NOTES

- 製品詳細寸法については図面 538851000-SD を参照下さい。
 DETAILED DIMENSION, SEE 538851000-SD
- 梱包数量：3000個/リール
 NUMBER OF CONNECTORS : 3000PCS/REEL
- リードテープ長さ LEAD TAPE LENGTH

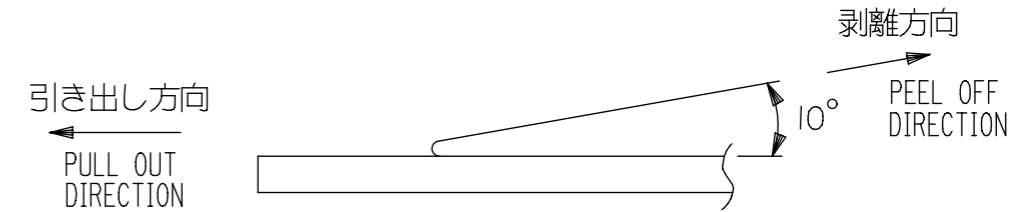
引き出し方向
 PULL OUT
 DIRECTION



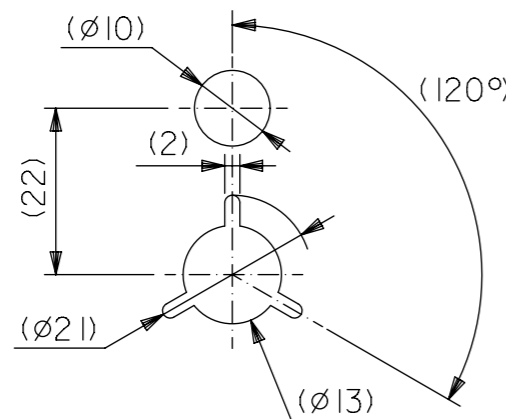
引き出し方向
 PULL OUT
 DIRECTION



- トップテープの剥離強度：0.1N ~ 0.7N(10.2gf ~ 71.4gf)
 (剥離方向は下図参照)
 尚、本規格値は出荷時に適用。(但し、輸送時に剥離が発生しないこと。)
 PEELING OFF FORCE OF TOP TAPE : 0.1N ~ 0.7N(10.2gf ~ 71.4gf)
 (PEELING DIRECTION AS SHOWN IN FOLLOWING FIG.)
 THIS REQUIREMENT SHOULD BE APPLIED AT SHIPMENT.
 PEEL OFF SHOULD NOT BE ALLOWED , DURING TRANSPORTATION.



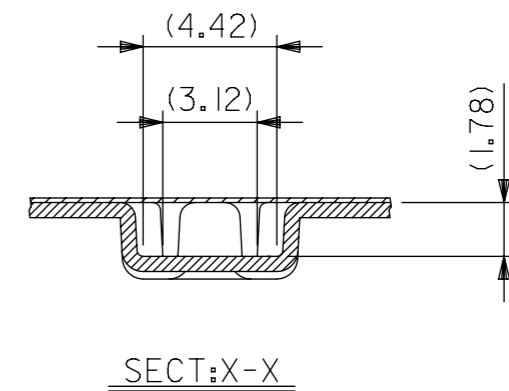
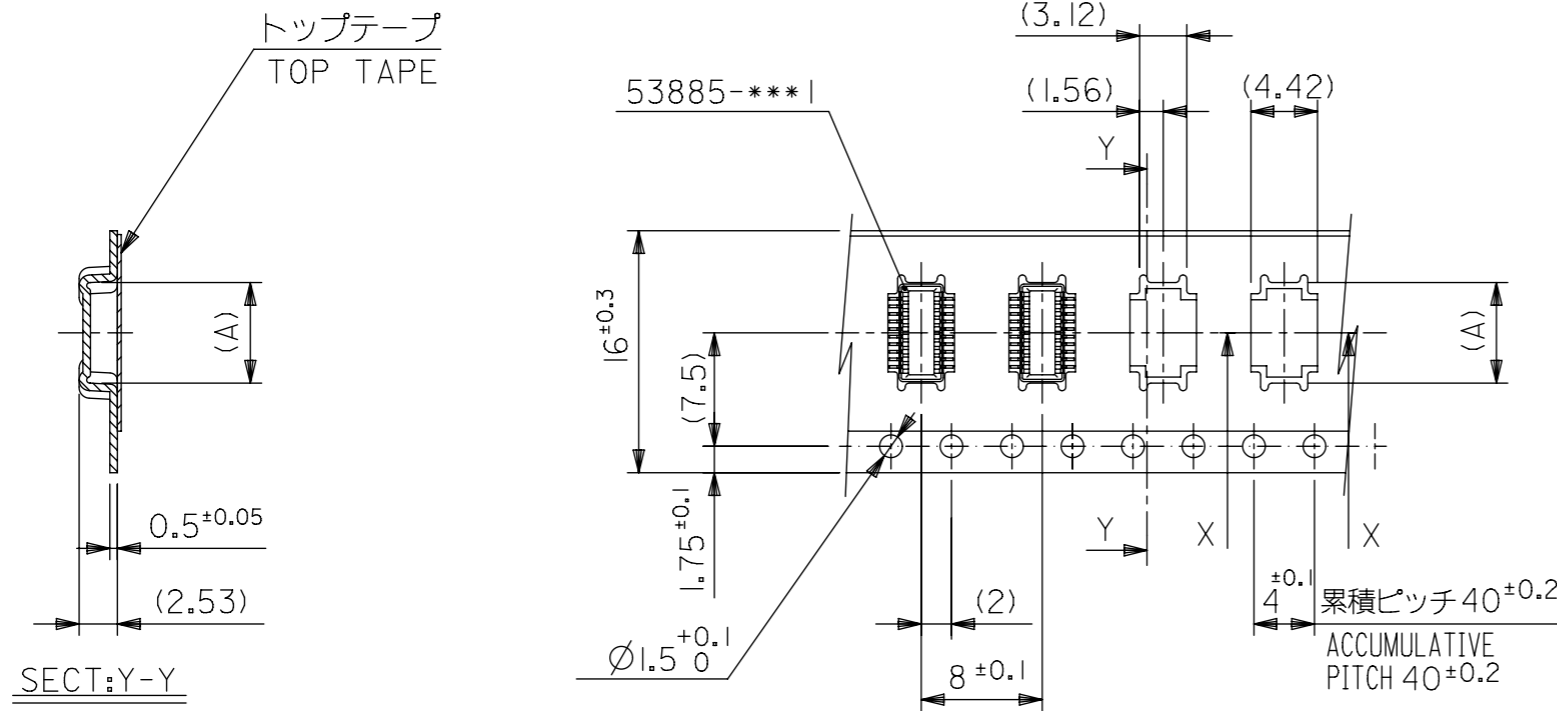
- 材料(MATERIAL)
 キャリアテープ(CARRIER TAPE)：ポリプロピレン(POLYPROPYLENE)
 トップテープ(TOPTAPE)：PET , PE , PEF
 リール(REEL)：ポリスチレン (PS) <リサイクル材を含む>
 POLYSTYREN(PS) <RECYCLE MATERIAL CONTAINED>



DETAIL "F"

THIS DRAWING CONTAINS INFORMATION THAT IS PROPRIETARY TO MOLEX ELECTRONIC TECHNOLOGIES, LLC AND SHOULD NOT BE USED WITHOUT WRITTEN PERMISSION		CURRENT REV DESC: REDRWAN AND REVISED		molex	
DIMENSION UNITS: mm		SCALE: NTS			
GENERAL TOLERANCES (UNLESS SPECIFIED)		ANGULAR TOL ±		EC NO: 642297	
4 PLACES ±		±		DRWN: TNAKAGAWA01 2020/08/31	
10 ^{UNDER} ±0.2		3 PLACES ±		CHK'D: HSHIMUYAMA 2020/11/30	
10 ^{OVER} 30 ^{UNDER} ±0.25		2 PLACES ±		APPR: SHOSHIKAWA 2020/11/30	
30 ^{OVER} ±0.3		1 PLACE ±		INITIAL REVISION:	
ANGULAR ±3°		0 PLACES ±		DRWN: TNAKAGAWA01 2020/08/31	
DRAFT WHERE APPLICABLE MUST REMAIN WITHIN DIMENSIONS		DRAFT WHERE APPLICABLE MUST REMAIN WITHIN DIMENSIONS		APPR: SHOSHIKAWA 2020/11/30	
THIRD ANGLE PROJECTION		DRAWING		SERIES	
A3-SIZE		53885		MATERIAL NUMBER	
SEE SHEET 2-4		CUSTOMER		SHEET NUMBER	
GENERAL		1 OF 4		DOCUMENT NUMBER	
538850000-SD		PSD		DOC TYPE	
000		A		DOC PART	
REVISION		A		REVISION	

引き出し方向
PULL OUT DIRECTION

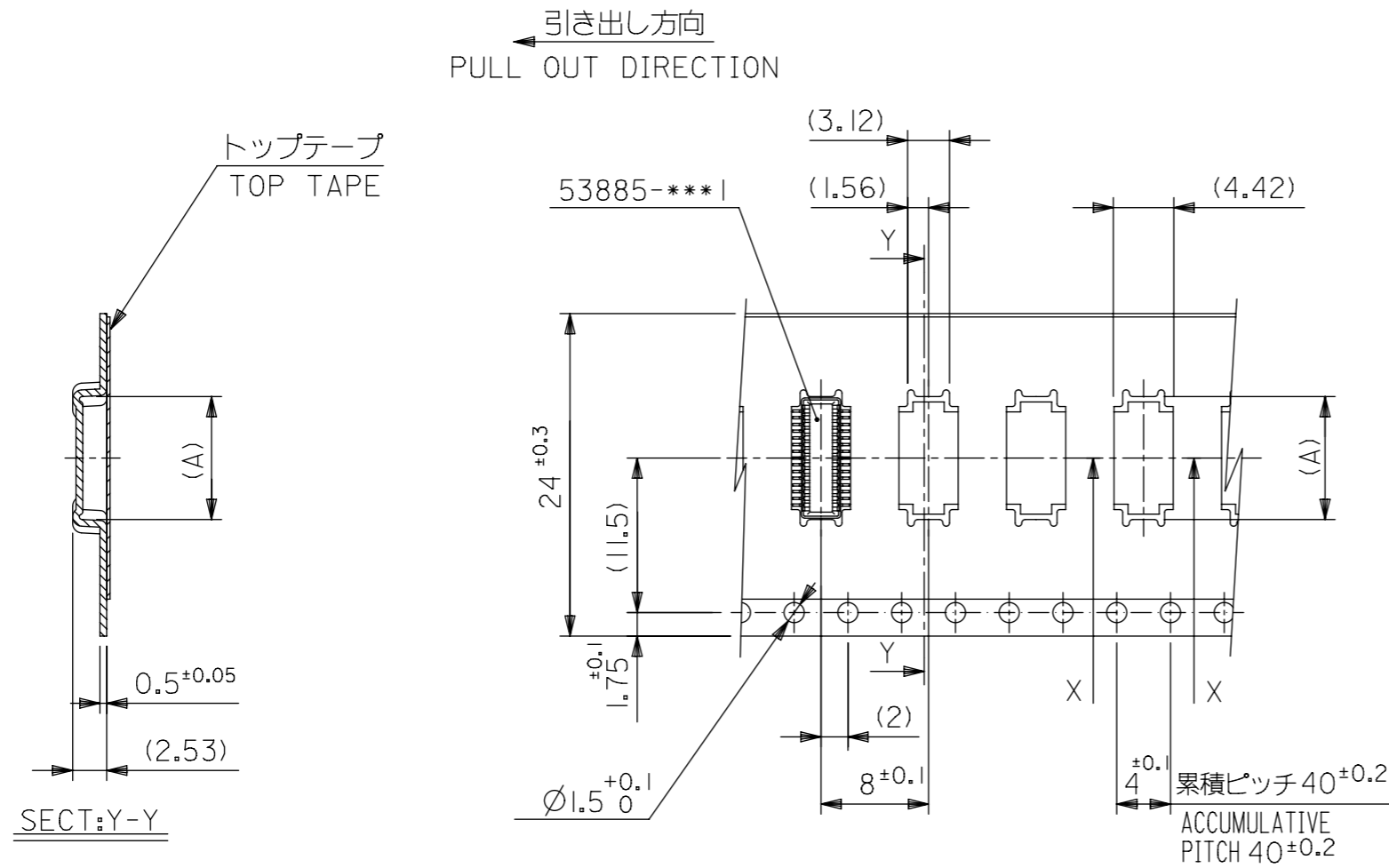


16mm幅キャリアテープ
16mm WIDTH CARRIER TAPE

16	17.4	6.65	53885-0208	20
キャリアテープ幅 CARRIER TAPE WIDTH	D	(A)	EMBOSSED TAPE PACKAGE オーダー番号 ORDER No.	極数 CIRCUITS

THIS DRAWING CONTAINS INFORMATION THAT IS PROPRIETARY TO MOLEX ELECTRONIC TECHNOLOGIES, LLC AND SHOULD NOT BE USED WITHOUT WRITTEN PERMISSION

DIMENSION UNITS mm	SCALE NTS	CURRENT REV DESC: REDRWAN AND REVISED	molex		
GENERAL TOLERANCES (UNLESS SPECIFIED)		EC NO: 642297 DRWN: TNAKAGAWA01 CHK'D: HSHIMOYAMA APPR: SHOSHIKAWA			
GENERAL TOLERANCES (UNLESS SPECIFIED)	ANGULAR TOL ±	INITIAL REVISION: DRWN: TNAKAGAWA01 APPR: SHOSHIKAWA	PRODUCT CUSTOMER DRAWING		
10 ^{UNDER} ±0.2	4 PLACES ±	2020/08/31	DOCUMENT NUMBER	DOC TYPE	DOC PART
10 ^{OVER} 30 ^{UNDER} ±0.25	3 PLACES ±	2020/11/30	538850000-SD	PSD	000
30 ^{OVER} ±0.3	2 PLACES ±	2020/11/30			A
ANGULAR ±3°	1 PLACE ±		SHEET NUMBER	2 OF 4	
0 PLACES ±	0 PLACES ±				
DRAFT WHERE APPLICABLE MUST REMAIN WITHIN DIMENSIONS	DRAFT WHERE APPLICABLE MUST REMAIN WITHIN DIMENSIONS	THIRD ANGLE PROJECTION	DRAWING	SERIES	MATERIAL NUMBER
		⊕	A3-SIZE	53885	SEE TABLE
					CUSTOMER
					GENERAL

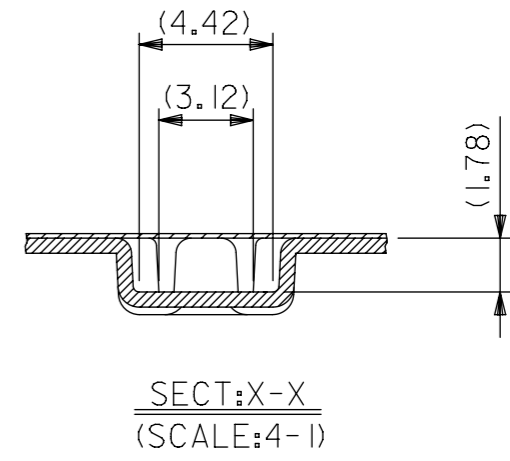
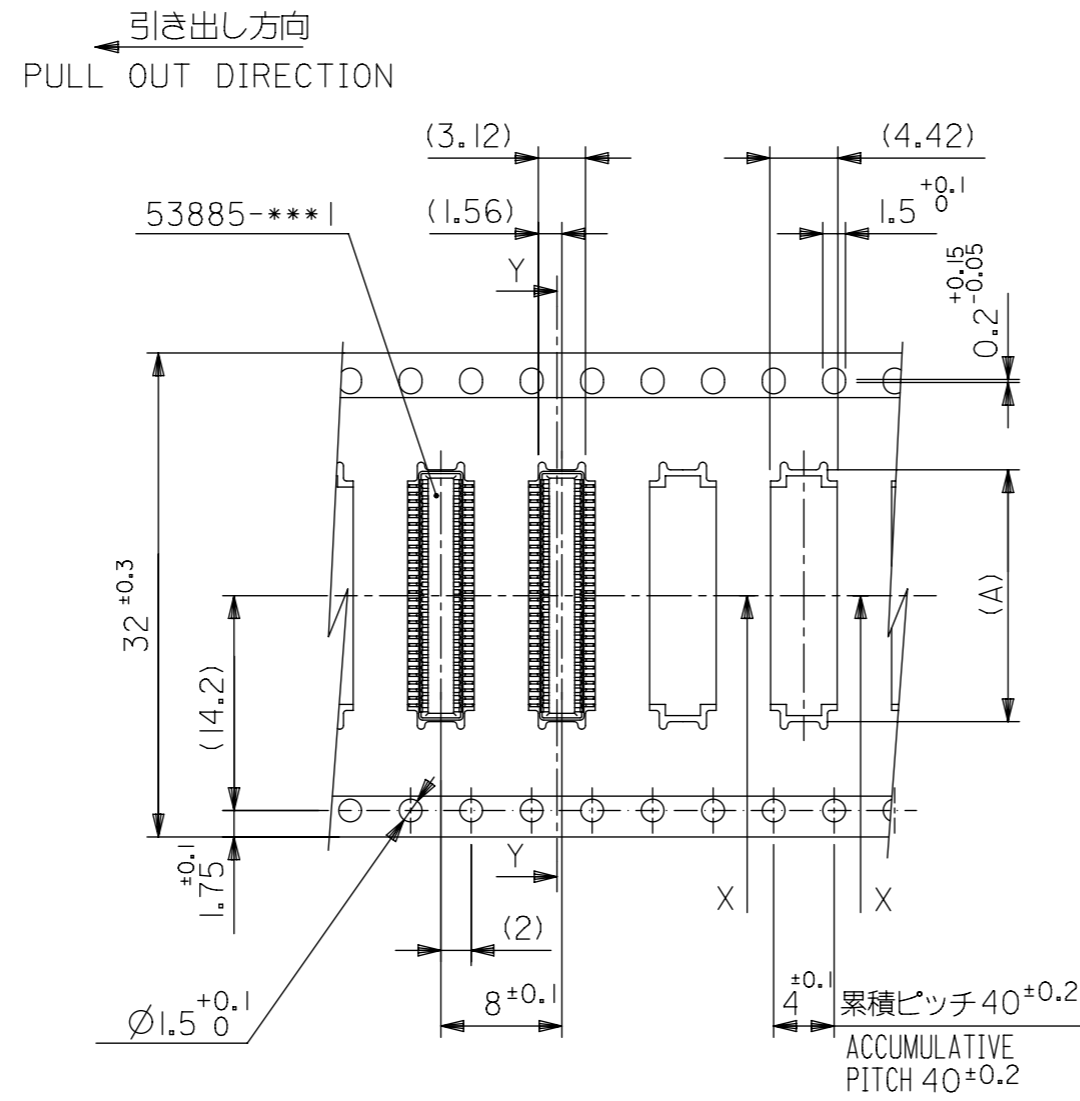
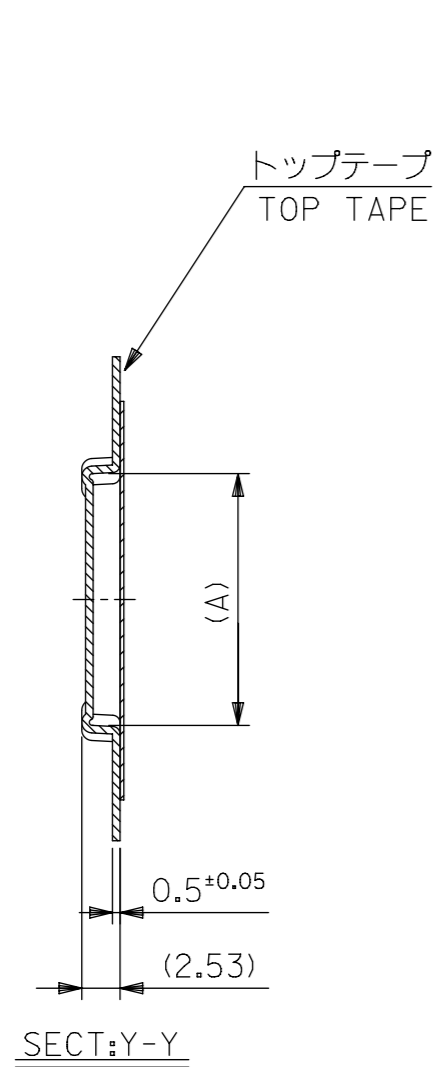


24mm幅キャリアテープ
24mm WIDTH CARRIER TAPE

24	25.4	14.15	53885-0508	50
		11.65	53885-0408	40
		9.15	53885-0308	30
キャリアテープ幅 CARRIER TAPE WIDTH	D	(A)	EMBOSSED TAPE PACKAGE	極数
			オーダー番号 ORDER No.	CIRCUITS

THIS DRAWING CONTAINS INFORMATION THAT IS PROPRIETARY TO MOLEX ELECTRONIC TECHNOLOGIES, LLC AND SHOULD NOT BE USED WITHOUT WRITTEN PERMISSION

DIMENSION UNITS mm	SCALE NTS	CURRENT REV DESC: REDRWAN AND REVISED		
GENERAL TOLERANCES (UNLESS SPECIFIED)		molex		
ANGULAR TOL ±				
4 PLACES ±		0.5 MM PITCH B-TO-B CONN. HEIGHT = 2.5 PLUG EMBOSS TAPE PACKAGE		
3 PLACES ±		PRODUCT CUSTOMER DRAWING		
2 PLACES ±		DOCUMENT NUMBER		
1 PLACE ±		538850000-SD		
0 PLACES ±		DOC TYPE	DOC PART	REVISION
DRAFT WHERE APPLICABLE MUST REMAIN WITHIN DIMENSIONS		THIRD ANGLE PROJECTION		SHEET NUMBER
GENERAL TOLERANCES (UNLESS SPECIFIED)		EC NO: 642297		
10 ^{UNDER} ±0.2		DRWN: TNAKAGAWA01 2020/08/31		
10 ^{OVER} 30 ^{UNDER} ±0.25		CHK'D: HSHIMUYAMA 2020/11/30		
30 ^{OVER} ±0.3		APPR: SHOSHIKAWA 2020/11/30		
ANGULAR ±3°		INITIAL REVISION:		
DRAFT WHERE APPLICABLE MUST REMAIN WITHIN DIMENSIONS		DRWN: TNAKAGAWA01 2020/08/31		
		APPR: SHOSHIKAWA 2020/11/30		
		DRAWING	SERIES	MATERIAL NUMBER
		A3-SIZE	53885	SEE TABLE
		CUSTOMER		GENERAL



32mm幅キャリアテープ
32mm WIDTH CARRIER TAPE

32	33.4	19.15	53885-0708	70
		16.65	53885-0608	60
キャリアテープ幅 CARRIER TAPE WIDTH	D	(A)	EMBOSSED TAPE PACKAGE オーダー番号 ORDER No.	極数 CIRCUITS

THIS DRAWING CONTAINS INFORMATION THAT IS PROPRIETARY TO MOLEX ELECTRONIC TECHNOLOGIES, LLC AND SHOULD NOT BE USED WITHOUT WRITTEN PERMISSION

CURRENT REV DESC: REDRWAN AND REVISED

GENERAL TOLERANCES (UNLESS SPECIFIED)	ANGULAR TOL ±	EC NO: 642297	2020/08/31
10 ^{UNDER}	±	DRWN: TNAKAGAWA01	2020/11/30
10 ^{OVER} 30 ^{UNDER}	±	CHK'D: HSHIMUYAMA	2020/11/30
30 ^{OVER}	±	APPR: SHOSHIKAWA	2020/11/30
ANGULAR ±3°	0 PLACES ±	INITIAL REVISION:	
DRAFT WHERE APPLICABLE MUST REMAIN WITHIN DIMENSIONS	DRAFT WHERE APPLICABLE MUST REMAIN WITHIN DIMENSIONS	DRWN: TNAKAGAWA01	2020/08/31
		APPR: SHOSHIKAWA	2020/11/30

THIRD ANGLE PROJECTION

DRAWING A3-SIZE

SERIES 53885

MATERIAL NUMBER SEE TABLE

CUSTOMER GENERAL

SHEET NUMBER 4 OF 4

DOCUMENT NUMBER 538850000-SD

DOC TYPE PSD

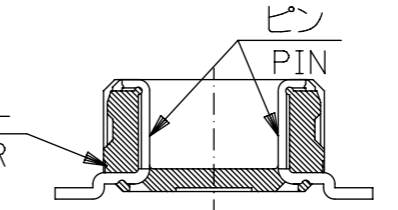
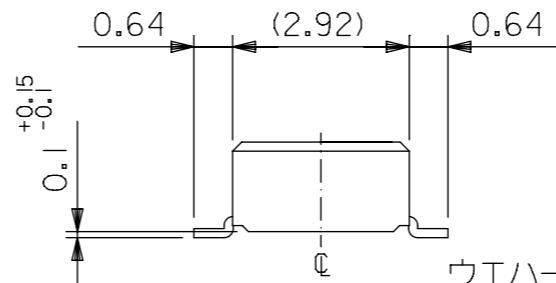
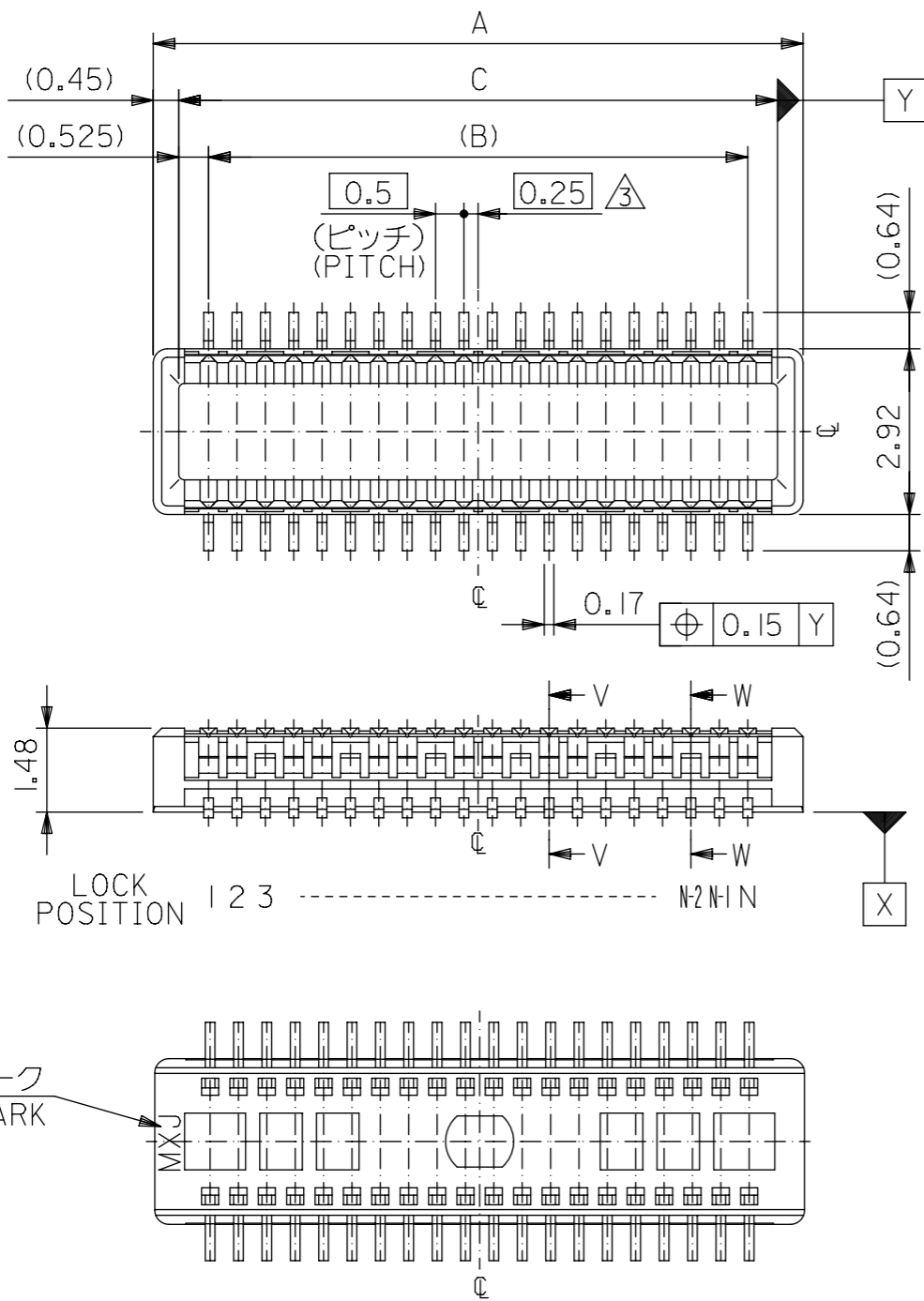
DOC PART 000

REVISION A

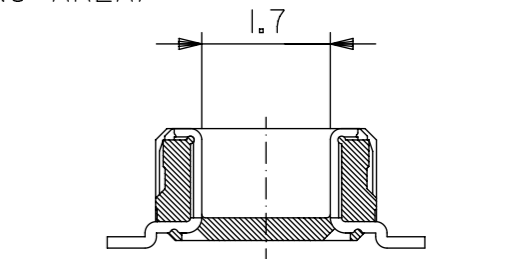
molex

0.5 MM PITCH B-TO-B CONN.
HEIGHT = 2.5 PLUG EMBOSS TAPE PACKAGE

PRODUCT CUSTOMER DRAWING



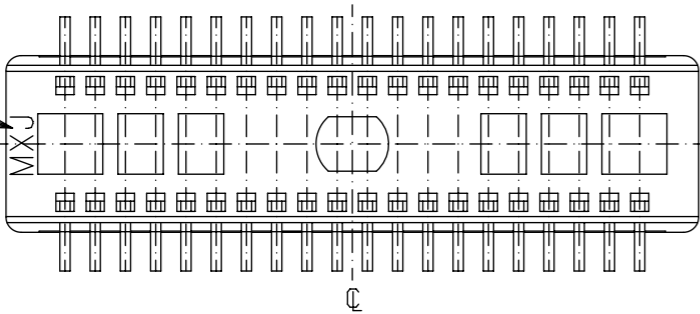
SECT.W-W(LOCK PART)
(SCALE 10:1)



SECT.V-V(W/O LOCK PART)
(SCALE 10:1)

参考基板レイアウト (マウント面)
RECOMMENDED P.C.BOARD
PATTERN DIMENSION. (REF.)
(MOUNTING AREA)

トレードマーク
TRADE MARK



注記 NOTES:

1. 使用材料 MATERIAL

ハウジング : 液晶ポリマ, ガラス充填, UL94V-0, 色 : 黒,
HOUSING: LCP, GLASS FILL, UL94V-0, COLOR: BLACK
ターミナル : 黄銅 (t=0.15)
TERMINAL: BRASS (t=0.15)

2. メッキ仕様 PLATING

金メッキ 0.25 マイクロメートル以上 (コンタクト部)
GOLD(Au) 0.25 MICROMETER MIN.(CONTACT AREA)
金メッキ 0.4 マイクロメートル以下 (テール部)
GOLD(Au) 0.4 MICROMETER MAX.(TAIL AREA)
下地メッキ : ニッケルメッキ 1.5 マイクロメートル以上
UNDER PLATING : NICKEL 1.5 MICROMETER MIN.

- 3 (全極数/2) = 偶数の場合に適用。
APPLY FOR (CIRCUIT/2)=EVEN.
4. 嵌合相手 : 54102 シリーズ (嵌合高さ = 2.5mm)
MATE WITH: 54102 SERIES (HEIGHT = 2.5mm)
5. テール平坦度は、0.1MAX.
TAIL COPLANARITY TO BE 0.1MAX.

NONE	18.05	17.0	18.95	53885-0708	70
10, 21	15.55	14.5	16.45	53885-0608	60
4, 10, 16, 22	13.05	12.0	13.95	53885-0508	50
3, 6, 9, 12, 15, 18	10.55	9.5	11.45	53885-0408	40
1, 3, 5, 7, 9, 11, 13, 15	8.05	7.0	8.95	53885-0308	30
ALL	5.55	4.5	6.45	53885-0208	20
LOCK POSITION	C	B	A	EMBOSSED PACKAGE	極数
				オーダー番号 ORDER No.	CIRCUIT

CONNECTOR SERIES No. 53885-***1

THIS DRAWING CONTAINS INFORMATION THAT IS PROPRIETARY TO MOLEX ELECTRONIC TECHNOLOGIES, LLC AND SHOULD NOT BE USED WITHOUT WRITTEN PERMISSION

mm 8:1

GENERAL TOLERANCES (UNLESS SPECIFIED)

10 ^{UNDER}	±0.2
10 ^{OVER} 30 ^{UNDER}	±0.25
30 ^{OVER}	±0.3

ANGULAR TOL ±

4 PLACES	±
3 PLACES	±
2 PLACES	±
1 PLACE	±
0 PLACES	±

EC NO: 642297
DRWN: TNAKAGAWA01
CHK'D: HSHIMOYAMA
APPR: SHOSHIKAWA

INITIAL REVISION:
DRWN: TNAKAGAWA01
APPR: SHOSHIKAWA

2020/08/31
2020/11/30
2020/11/30

2020/08/31
2020/11/30

THIRD ANGLE PROJECTION

DRAWING A3-SIZE

SERIES 53885

DOCUMENT NUMBER 538851000-SD

DOC TYPE PSD

DOC PART 001

REVISION A

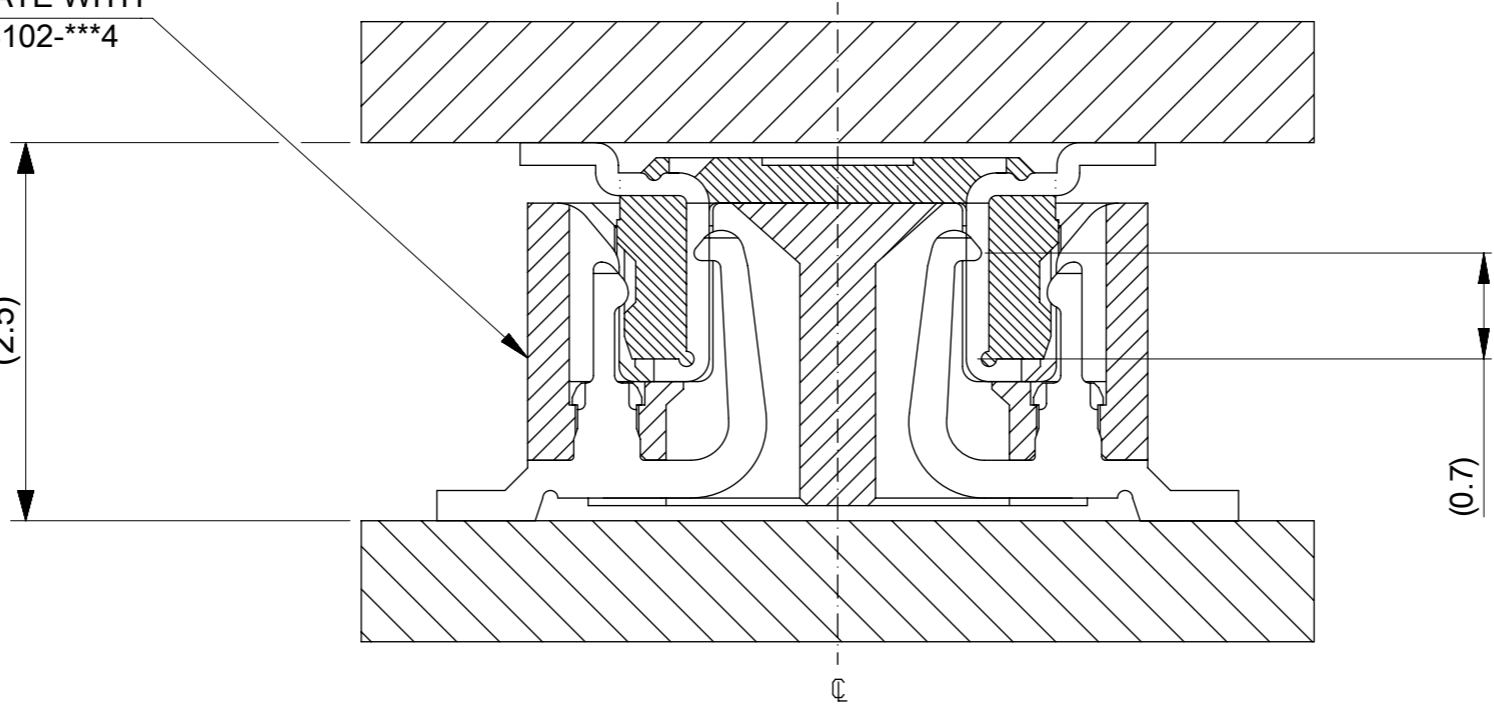
MATERIAL NUMBER SEE TABLE

CUSTOMER GENERAL

SHEET NUMBER 1 OF 2

嵌合相手
MATE WITH
54102-***4

(2.5)



(0.7)
有効嵌合長
MATING
LENGTH

嵌合断面図 (参考)
MATED DRAWING (REF.)

THIS DRAWING CONTAINS INFORMATION THAT IS PROPRIETARY TO MOLEX ELECTRONIC TECHNOLOGIES, LLC AND SHOULD NOT BE USED WITHOUT WRITTEN PERMISSION

DIMENSION UNITS SCALE
mm 20:1

CURRENT REV DESC: REDRWAN AND REVISED

molex

0.5 MM PITCH B-TO-B CONN.
HEIGHT = 2.5 PLUG

GENERAL TOLERANCES (UNLESS SPECIFIED)	
10 ^{UNDER}	±0.2
10 ^{OVER} 30 ^{UNDER}	±0.25
30 ^{OVER}	±0.3
ANGULAR±3°	

GENERAL TOLERANCES (UNLESS SPECIFIED)

ANGULAR TOL	±
4 PLACES	±
3 PLACES	±
2 PLACES	±
1 PLACE	±
0 PLACES	±

EC NO: 642297
DRWN: TNAKAGAWA01 2020/08/31
CHK'D: HSHIMUYAMA 2020/11/30
APPR: SHOSHIKAWA 2020/11/30
INITIAL REVISION:
DRWN: TNAKAGAWA01 2020/08/31
APPR: SHOSHIKAWA 2020/11/30

DOCUMENT NUMBER	DOC TYPE	DOC PART	REVISION
538851000-SD	PSD	001	A

DRAFT WHERE APPLICABLE MUST REMAIN WITHIN DIMENSIONS

DRAFT WHERE APPLICABLE MUST REMAIN WITHIN DIMENSIONS

THIRD ANGLE PROJECTION
DRAWING

SERIES
A3-SIZE 53885

MATERIAL NUMBER CUSTOMER SHEET NUMBER
SEE SHEET 1 GENERAL 2 OF 2