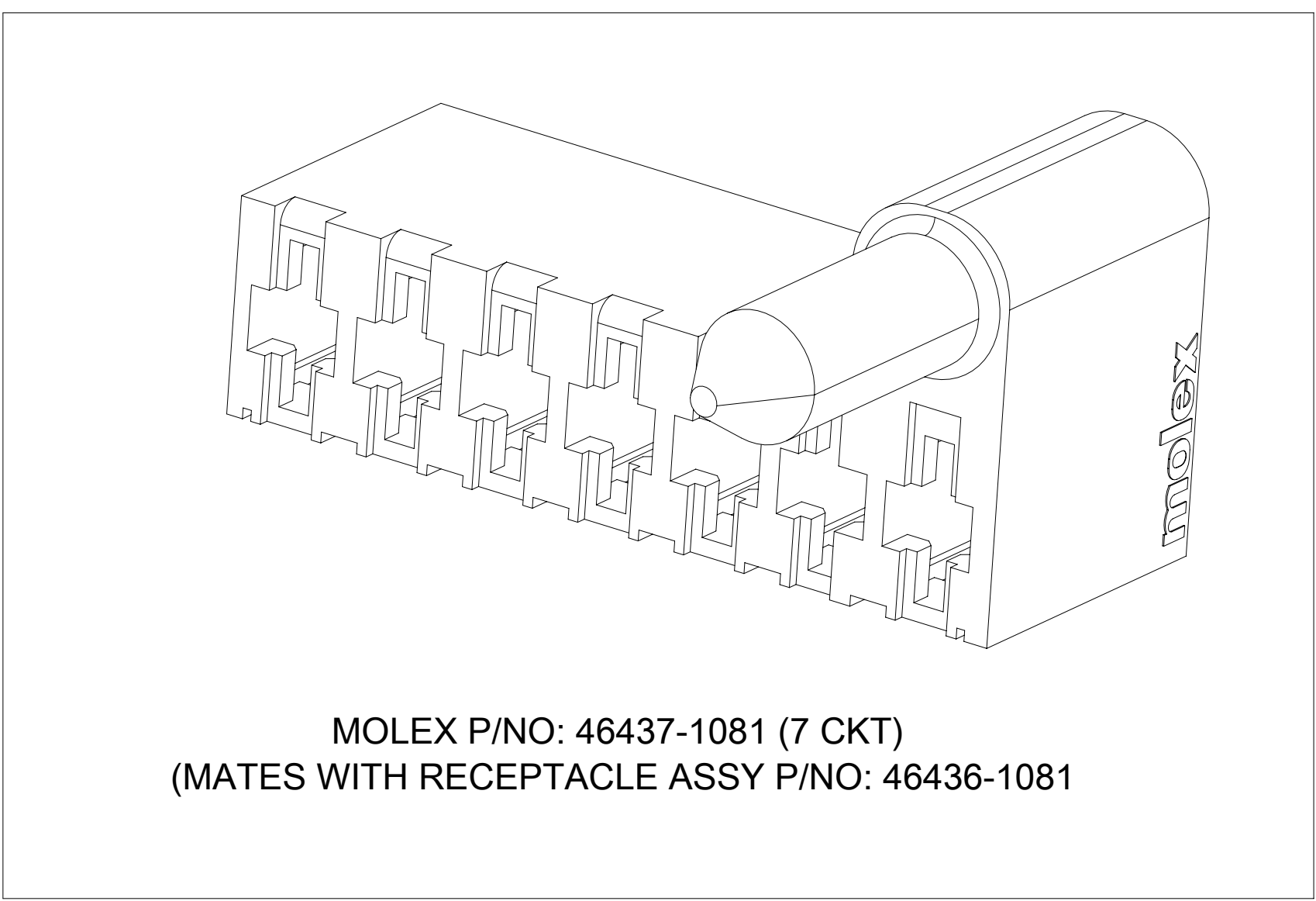
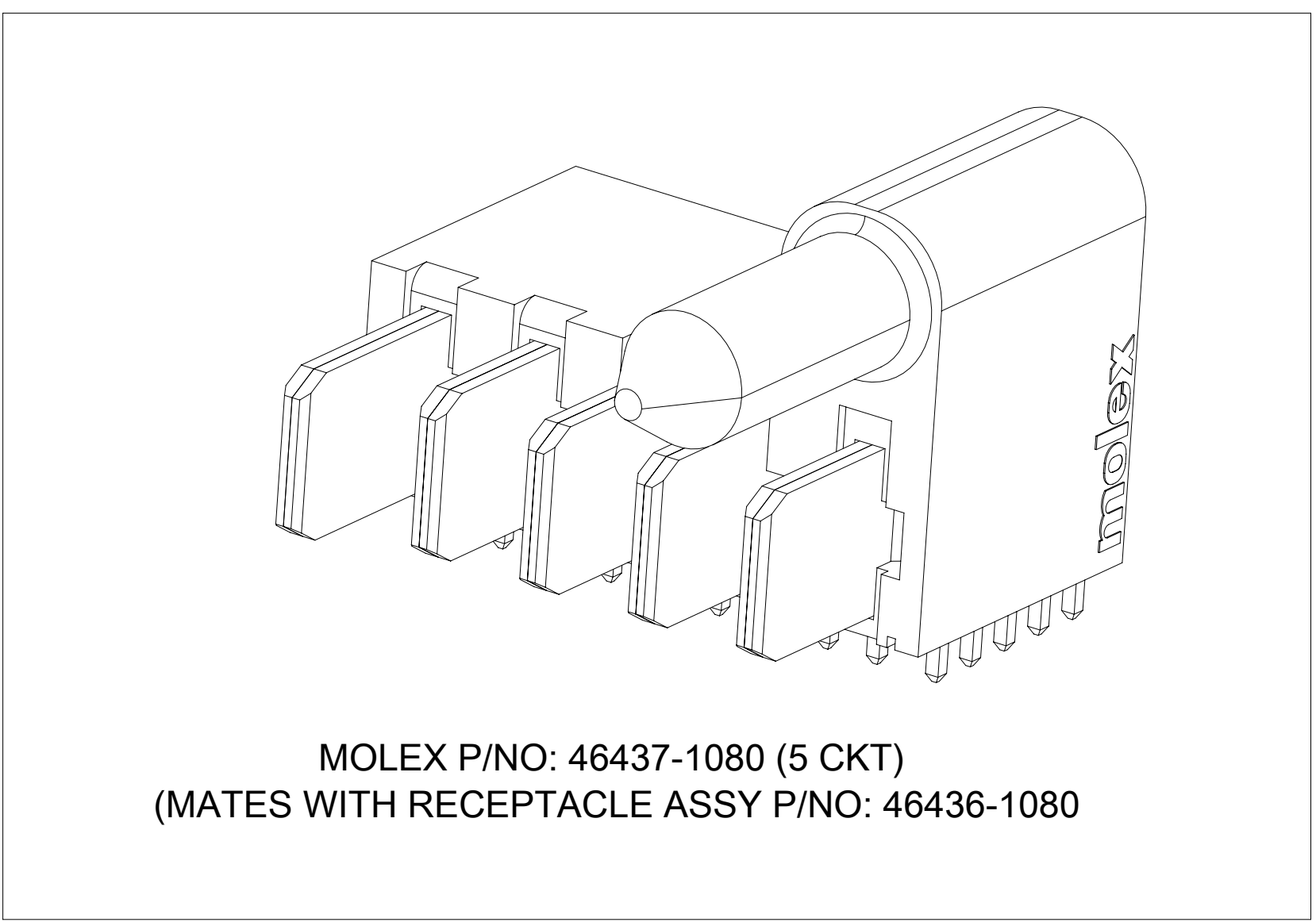


- NOTES:
- MATERIAL:
    - HOUSINGS: LCP UL94, V-0, COLOR : BLACK
    - TERMINALS: HIGH CONDUCTIVITY COPPER ALLOY
    - PLATING: 1.27 MICROMETER (50 MICROINCH) NICKEL OVERALL WITH 2.54 MICROMETER (100 MICROINCH) SELECTIVE TIN ON TAILS AND 0.762 MICROMETER (30 MICROINCH) SELECTIVE GOLD ON CONTACT AREA
  - PACKAGING: ASSEMBLIES TO BE TRAY PACKED PER PACKAGING SPEC: 464371003-PK
  - PLATED THRU HOLE SIZE, REFER TO PS-46436-100 FOR DETAILS
  - PRODUCT SPEC: PS-46436-100
  - PRODUCT TO MEET RoHS REQUIREMENTS
  - POWER CONTACTS ARE LUBRICATED.



THIS DRAWING CONTAINS INFORMATION THAT IS PROPRIETARY TO MOLEX ELECTRONIC TECHNOLOGIES, LLC AND SHOULD NOT BE USED WITHOUT WRITTEN PERMISSION									
DIMENSION UNITS		SCALE		CURRENT REV DESC: UPDATED DRAWING VIEWS DUE TO ERROR IN SYSTEM					
mm		3:1							
GENERAL TOLERANCES (UNLESS SPECIFIED)									
ANGULAR TOL ± 0.5°									
4 PLACES		±		EC NO: 643807					
3 PLACES		±		DRWN: GJEEVANSURES 2020/08/20					
2 PLACES		± 0.13		CHK'D: GJEEVANSURES 2020/08/21					
1 PLACE		± 0.25		APPR: HTHYAGARAJ 2020/08/24					
0 PLACES		±		INITIAL REVISION:					
				DRWN: BKOSTIC 2009/07/14					
				APPR: JCOMERCI 2009/10/02					
DRAFT WHERE APPLICABLE MUST REMAIN WITHIN DIMENSIONS			THIRD ANGLE PROJECTION		DRAWING		SERIES		MATERIAL NUMBER
			D-SIZE		46436		GENERAL MARKET		CUSTOMER
DOCUMENT STATUS				P1		RELEASE DATE		2020/08/24 04:17:50	
SD-46437-1080				PSD		001		C1	
SHEET NUMBER				1 OF 1					