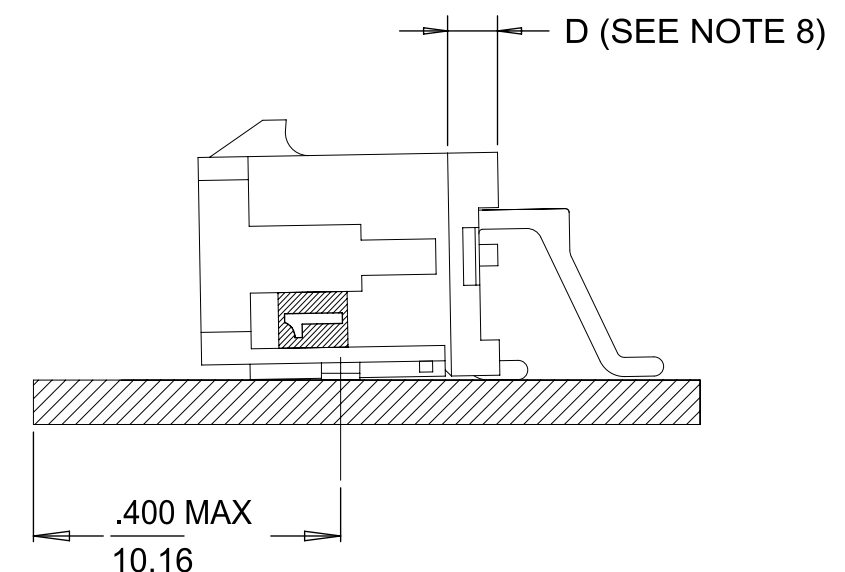
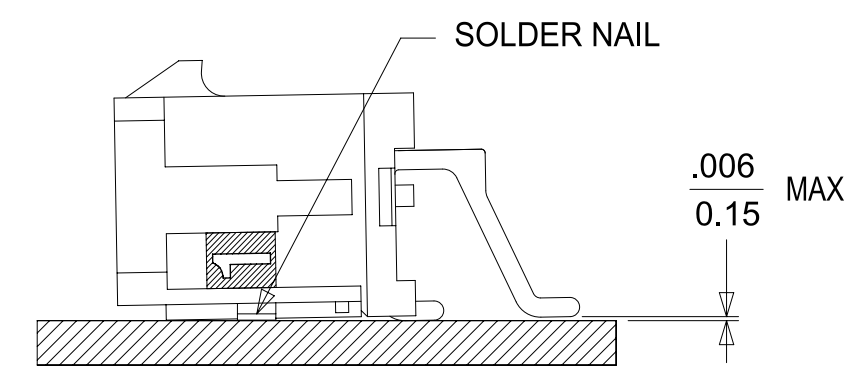


PCB LAYOUT: COMPONENT SIDE

CIRCUIT "1" IDENTIFIED ON THIS SURFACE (APPROX. LOCATION SHOWN FOR REF.)

NOTE 10



- NOTES:
- HOUSING MATERIAL: GLASS FILLED LIQUID CRYSTAL POLYMER, UL94V-0, COLOR: BLACK
TERMINAL MATERIAL: BRASS ALLOY
 - FINISH: A = .000060/(0.00152) MIN. REFLOWED MATTE TIN OVER .000050/(0.00127) MIN. NICKEL PLATE.
(FINISH IS BRIGHT IN APPEARANCE, THICKNESS AS APPLIED PRIOR TO REFLOW).
B = .000015/(0.00038) MIN. SELECT GOLD IN CONTACT AREA; .000100/(0.00254) MIN. SELECT MATTE TIN ON SOLDER TAILS; BOTH OVER .000050/(0.00127) MIN. NICKEL PLATE.
C = .000030/(0.00076) MIN. SELECT GOLD IN CONTACT AREA; .000100/(0.00254) MIN. SELECT MATTE TIN ON SOLDER TAILS; BOTH OVER .000050/(0.00127) MIN. NICKEL PLATE.
 - PRODUCT SPECIFICATION: PS-43045
 - TAPE AND REEL PACK: SEE MOLEX DRAWING 430450001-PK
 - MATES WITH MOLEX RECEPTACLE SERIES 43025
 - THE COPLANARITY DIMENSION IS ESTABLISHED BY PLACING THE ASSEMBLY ON A FLAT SURFACE. THE DISTANCE FROM THAT SURFACE TO THE BOTTOM OF ANY TERMINAL OR NAIL MUST NOT EXCEED .006/0.15
 - THE PRIMARY SHIPPING CARTON WILL BE LABELED, "COMPLIANT TO RoHS DIRECTIVE 2002/95/EC AND ELV ANNEX II OF DIRECTIVE 2000/53/EC." ASSEMBLIES WILL BE COMPLIANT TO THE RoHS AND ELV (LEAD-FREE) DIRECTIVES.
 - CIRCUIT SIZES 2-6: "D" IS .265/6.74 FOR .010/0.25 STEP
CIRCUIT SIZES 8-24: "D" IS .063/1.60 FOR .010/0.25 STEP.
 - TO AVOID INTERFERENCE BETWEEN RECEPTACLE AND PCB, HEADER MUST BE PLACED WITHIN .400/(10.16) MAX. FROM EDGE OF PCB, AS SHOWN IN LOCATION DETAIL.
 - METAL TAB MAY BE FLUSH WITH PCB. NO EXPOSED TRACES OR VIAS ALLOWED NEAR THESE AREAS.
 - THIS PART CONFORMS TO CLASS B REQUIREMENTS OF COSMETIC SPECIFICATION PS-45499-002.
 - TEXT ON PART IS FOR REFERENCE ONLY. TEXT AND TEXT LOCATION MAY VARY DEPENDING ON PART NUMBER AND/OR TOOL.

FINISH A	
CKTS	MATERIAL NO:
04	43045-5409
06	43045-5609
08	43045-5809
10	43045-6009
12	43045-6209
14	43045-6409

FINISH B	
CKTS	MATERIAL NO:
04	43045-5410

FINISH C	
CKTS	MATERIAL NO:
06	43045-5611
10	43045-6011
12	43045-6211
16	43045-6611
18	43045-6811
20	43045-7011
22	43045-7211
24	43045-7411

THIS DRAWING CONTAINS INFORMATION THAT IS PROPRIETARY TO MOLEX ELECTRONIC TECHNOLOGIES, LLC AND SHOULD NOT BE USED WITHOUT WRITTEN PERMISSION

SYMBOLS A = 0 E = 0 S = 0 V = 0 W = 0 X = 0 Y = 0 Z = 0	DIMENSION UNITS: IN/MM SCALE: NTS	CURRENT REV DESC: MICROFIT PK SPEC REF	
	GENERAL TOLERANCES (UNLESS SPECIFIED)	EC NO: 611607 DRWN: SALHAMY 2018/12/26 CHK'D: SSOUSEK 2019/08/09 APPR: FSMITH 2019/08/15	
4 PLACES ± 3 PLACES ± 0.01 2 PLACES ± 0.25 ± 0.014 1 PLACE ± 0.36 ± 0 PLACES ±	DRAFT WHERE APPLICABLE MUST REMAIN WITHIN DIMENSIONS	INITIAL REVISION: DRWN: RHOLTS 2004/07/15 APPR: FSMITH 2016/02/26	PRODUCT CUSTOMER DRAWING
ANGULAR TOL ± 0.5°	THIRD ANGLE PROJECTION	DRAWING: C-SIZE SERIES: 43045	DOCUMENT NUMBER: SD-43045-019 DOC TYPE: PSD DOC PART: 000 REVISION: C4
MATERIAL NUMBER: SEE CHART CUSTOMER: CORE MARKET	SHEET NUMBER: 1 OF 1		