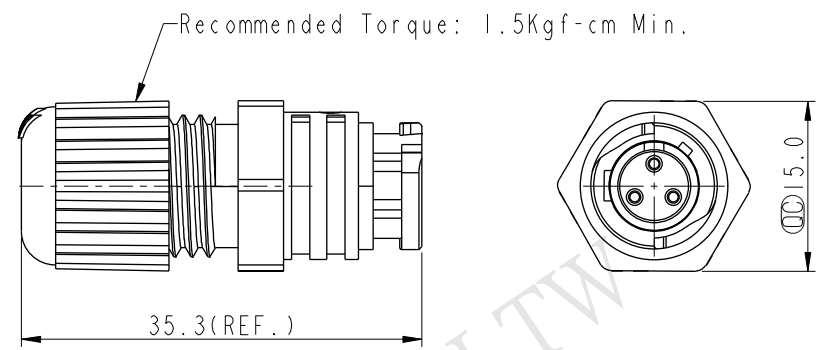
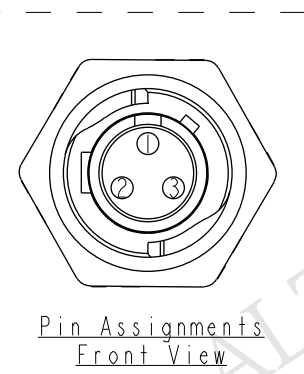
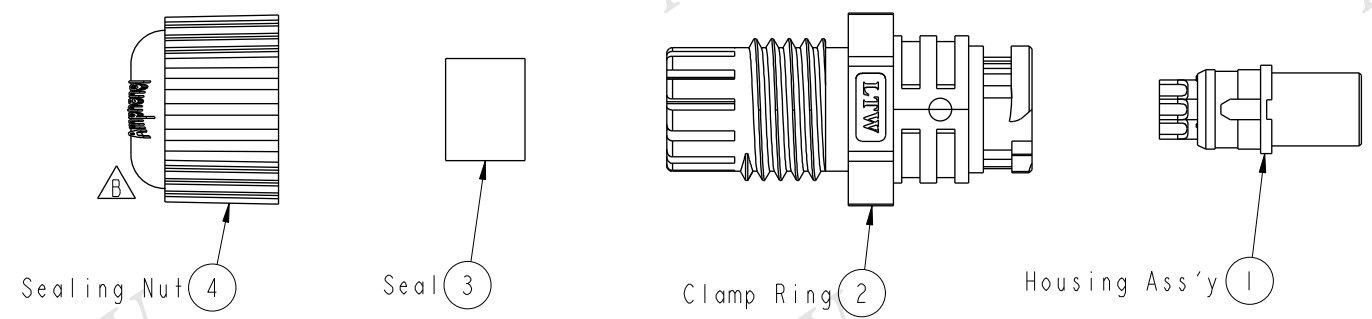
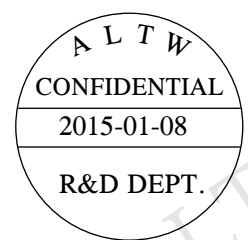


THIS DOCUMENT IS SUBJECT TO CHANGE WITHOUT NOTICE. IT IS CONFIDENTIAL AND A PROPERTY OF AMPHENOL LTW. DISCLOSURE TO THIRD PARTY HAS TO BE AUTHORIZED BY AMPHENOL LTW.

REV.	ECN NO.	DATE	SIGN	DESCRIPTION
A	Initial Release	2012/10/25	Ruru	PLD-03BMFA-QL7001 To PLD-03BMFA-QL7001
B	LEN1510152	2015/01/08	Vicky	Update Logo & Tolerance



- Note:
- \*  $\varnothing$  Important Dimension To Check.
  - \* Waterproof Rate: IP67.
  - \* Female Pin: Copper Alloy, Gold Plated.
  - \* Housing: Nylon, UL 94V-0, Black.
  - \* Seal: Silicone, UL 94V-0, Gray.
  - \* Clamp Ring: Nylon, UL 94V-2, Black.
  - \* Sealing Nut: Nylon, UL 94V-2, Black.
  - \* Seal for Cable OD:  $\varnothing$ 4.5mm- $\varnothing$ 6.5mm
  - \* Operating Voltage Max: AC 300 V Rms.
  - \* Operating Current Max: 5A.
  - \* One Set Unassembled In One Bag.

A	UNIT:mm		TITLE		ITEM NO	DRAWN BY	DATE									
	TOLERANCE	$\pm 0.5$ mm	ASSY,PUSH LOCK,3PIN M CONN F PIN		PLD-03BMFA-QL7001	Vicky	2015-01-08									
			SCALE	3:2	SIZE	A4	SHEET	1	OF	1	DWG NO	PLD-03BMFA-QL7001	CHECKED BY	Sam	DATE	2015-01-08
			REV.	B	WC-REV.	A.2	$\varnothing$ : Inspection item		CUSTOMER		ALTW	APPROVED BY	Rita	DATE	2015-01-08	
<h2 style="margin: 0;">Amphenol LTW</h2> <p style="margin: 0;">安費諾亮泰企業股份有限公司</p>					8 FMM10702-01-02A1											