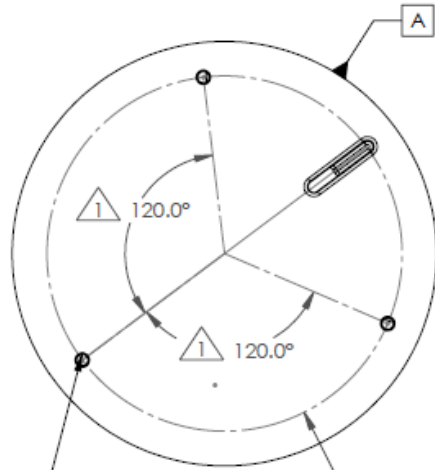


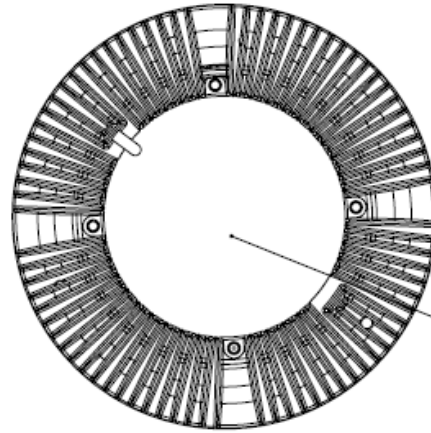
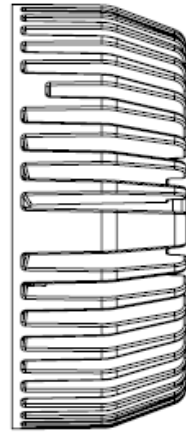
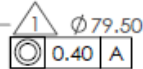
没有Nuventix的书面授权, 不允许替代材料或不同材料以及零件或工艺过程的更改

REV	DESCRIPTION	BY	APR	DATE
A01	PRODUCTION RELEASE	DNG		2010-10-27

SUBSTITUTIONS OR DEVIATIONS OF MATERIALS, COMPONENTS OR MANUFACTURING PROCESSES IS NOT ALLOWED WITHOUT WRITTEN CONSENT FROM NUVENTIX, INC.



3X M3x0.5 TAPPED HOLE
DRILL 7.5 DEEP, TAP 5.0 DEEP



BASE PART

NOTES:

DIMENSION IS CRITICAL TO FUNCTION

2. IDENTIFY THE PART IN THE AREA SHOWN PER NUVENTIX SPECIFICATION MFG-SPEC-00023.

PART #	BASE PART	DESCRIPTION
030-00277-01	030-00195	BLACK
030-00277-02	030-00195-01	SAND BLAST FINISH, NATURAL COLOR

UNLESS OTHERWISE SPECIFIED:		NAME	DATE	
-ALL DIMENSIONS IN MILLIMETERS		DRAWN	DNG	
-DRAFT ANGLES TO BE 3 DEGREES		CHECKED	A	
-DIMENSIONS INCLUDE PLATING		ENG APPR.	A	
TOLERANCES: .X: ± 0.2 .XX: ± 0.1 ANGLES: ± 0.5°		THIRD ANGLE PROJECTION		TITLE:
SIZE	MATERIAL	DO NOT SCALE DRAWING		DRAWING, PAR30 HEAT SINK MACHINING, FORTIMO TWISTABLE
B	N/A			DWG. NO. 031-00001
	FINISH			REV A01
	N/A			SCALE: 1:1
				SHEET 1 OF 1

HP30S-CALBL-002 Heat Sink, 40W, Down Light Module 95, Philips Twistable, Zhaga B2, Black