

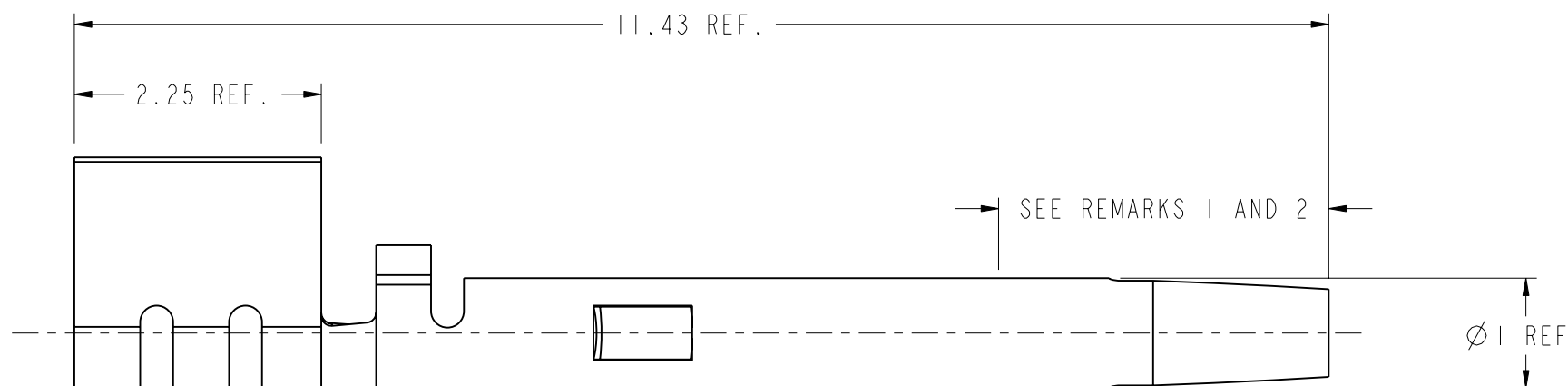
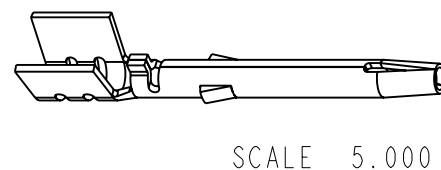
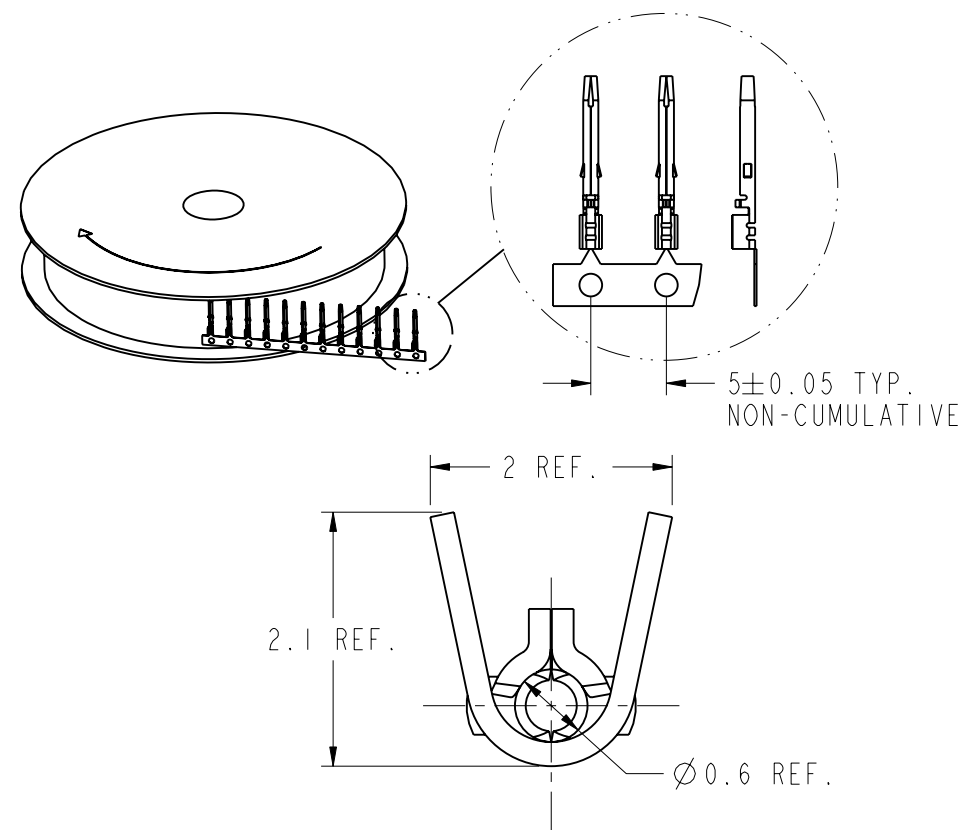
NOTES:

1. MATERIALS & FINISHES:  
PHOSPHOR BRONZE, PER ASTM-B103, UNS C5190  
GOLD PLATING (.000030" MIN.)
2. CONTACTS TO BE SUPPLIED  
ON REELS (5,000 PCS./ REEL)
3. CONTACTS TO WOUND ON REEL IN DIRECTION AND POSITION SHOWN.

THIRD ANGLE PROJ.

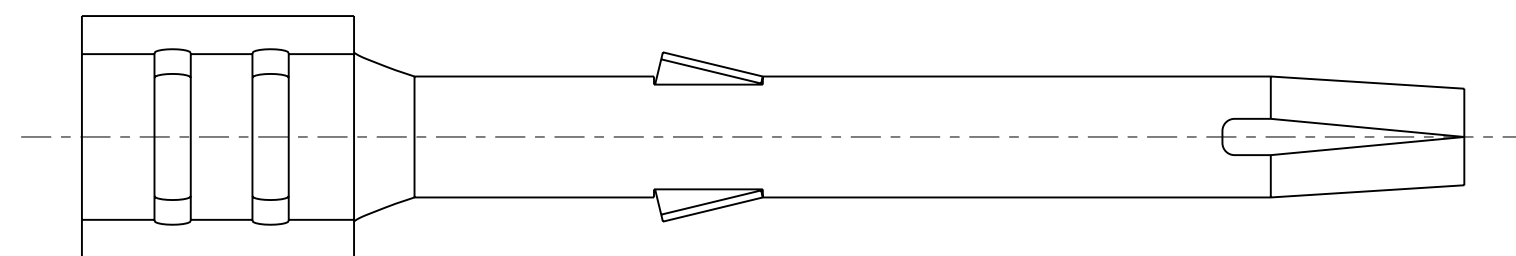
REVISIONS

REV	DESCRIPTION	DATE	ECO	APPR
A	RELEASE TO MFG.	12-Mar-08	-----	ET
B	ADD REEL INFORMATION AND REMARKS	22-Sep-08	47295	SB



REMARKS:

1. GOLD PLATE 30 MIN. THICK OVER NICKEL PL. 100 MIN THICK OVER COPPER STRIKE
2. SELECTIVE GOLD PLATE TO COVER 3mm MIN. AS SHOWN



**CONFIGURATION CONTROL:**  
NO CHANGES PERMITTED TO DRAWING WITHOUT  
PPAP QUALIFIED CUSTOMER APPROVAL

**CUSTOMER OUTLINE DRAWING**  
ALL OTHER SHEETS ARE FOR INTERNAL USE ONLY

<p>UNLESS OTHERWISE SPECIFIED, DIMENSIONS ARE IN METRIC AND TOLERANCES ARE:                  0.5 - 6mm    6 - 30mm    30 - 120mm    ANGLES                  ±0.1mm    ±0.2mm    ± 0.3mm    ±1°</p> <p>NOTICE - These drawings, specifications, or other data (1) are, and remain the property of Amphenol corp. (2) must be returned upon request; and (3) are confidential and not to be disclosed to any person other than those to whom they are given by Amphenol Corp. the finishing of these drawings, specifications, or other data by Amphenol Corp., or to any other person to anyone for any purpose is not to be regarded by implication or otherwise in any manner licensing, granting rights to permitting such holder or any other sperson to manufacture, use or sell any product, process or design, patented or otherwise, that may in any way be related to or disclosed by said drawings, specifications, or other data.</p>	<p>MATERIAL PHOSPHOR BRONZE PER ASTM-B103 UNS C5190 0.2MM THICK</p> <p>REFERENCE EAR #3140    AND    615X-2187-1SF</p> <p>CONFIGURATION LEVEL: Prototype</p> <p>FINISH PER KAI JACK SPEC EP-SS-9700</p>	<p>DRAWN E. TANG    DATE 16-Jan-08</p> <p>ENGINEER J. YANG    DATE 16-Jan-08</p> <p>APPROVED B.C. GLEISSNER    DATE 09-Mar-08</p> <p>CAD FILE I:\CONT\FKCP03302</p>	<p>TITLE STAMPED AND FORMED FAKRA CONTACT (FEMALE)</p> <p>SCALE: 16.0:1.0    SHEET 3 OF 3</p> <p>DWG SIZE    CODE ID    REV B    74868    B</p>	<p><b>Amphenol RF</b> Danbury CT USA, Tainan, Taiwan, Shenzhen, China www.amphenolrf.com</p> <p>DRAWING NO. FKCP03302</p> <p>ITEM NO. FKCP03302A</p> <p>PART NO. FKCP03302</p>
---	---	---	---	--